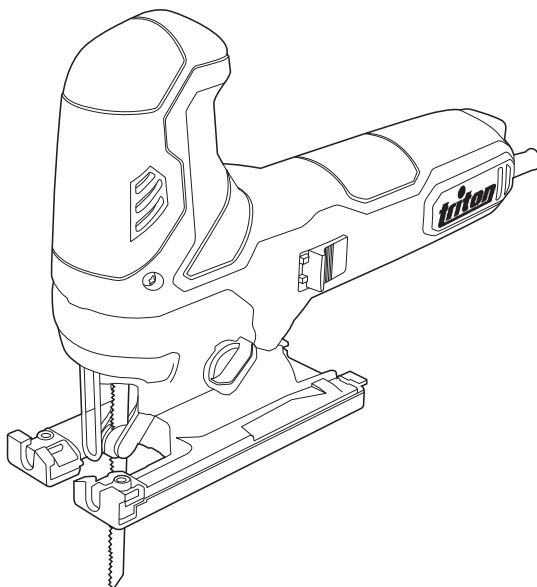


GB Operating and Safety Instructions

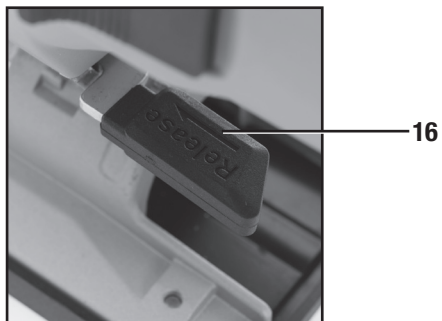
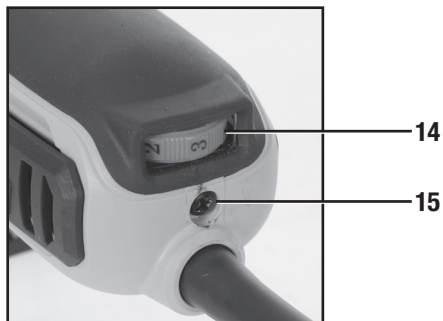
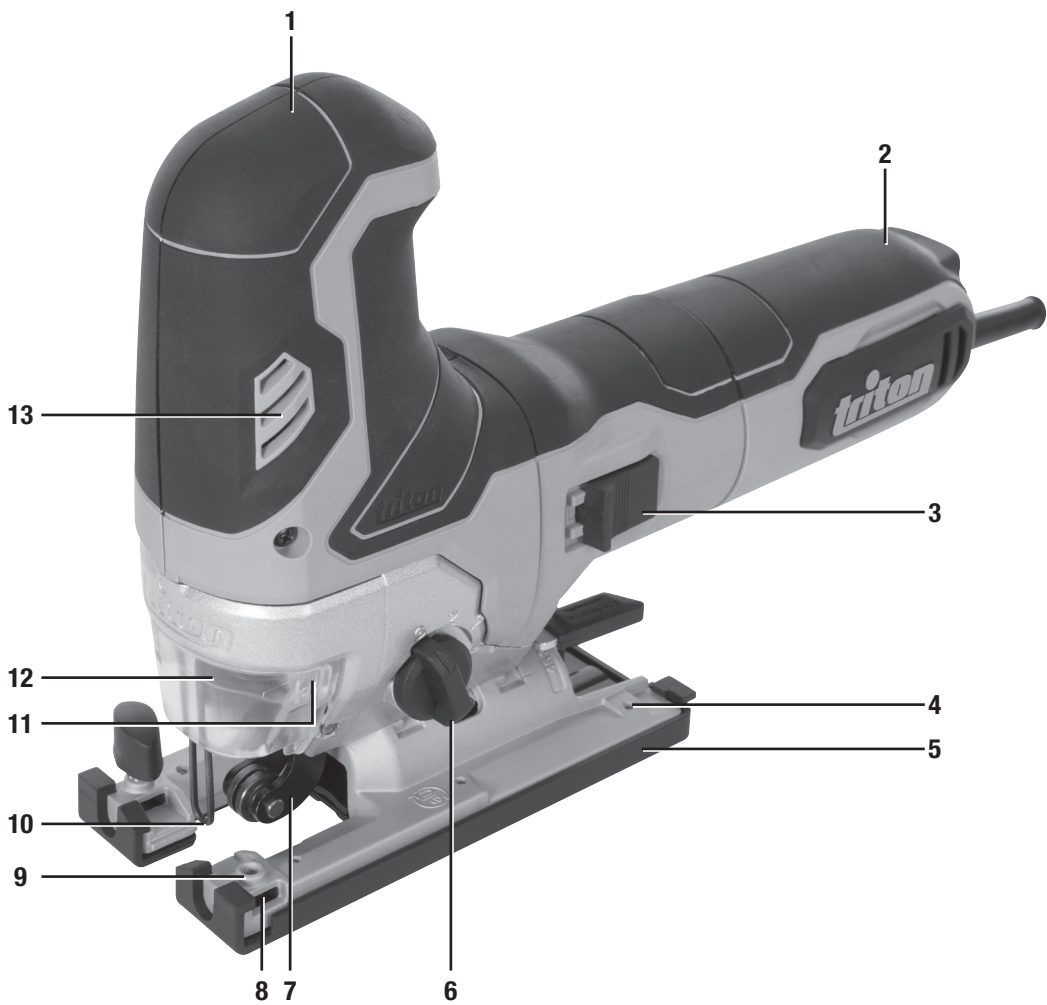
- | | |
|---|---|
| NL Bedienings- en veiligheidsvoorschriften | PL Instrukcja obsługi i bezpieczeństwa |
| FR Instructions d'utilisation et consignes de sécurité | RU Инструкции по эксплуатации и правила техники безопасности |
| DE Gebrauchs- und Sicherheitsanweisung | HU Kezelési és biztonsági utasítások |
| IT Istruzioni per l'uso e la sicurezza | CZ Provozní a bezpečnostní pokyny |
| ES Instrucciones de uso y de seguridad | SK Prevádzkové a bezpečnostné pokyny |
| PT Instruções de Operação e Segurança | TR Çalışma ve Güvenlik Talimatları |

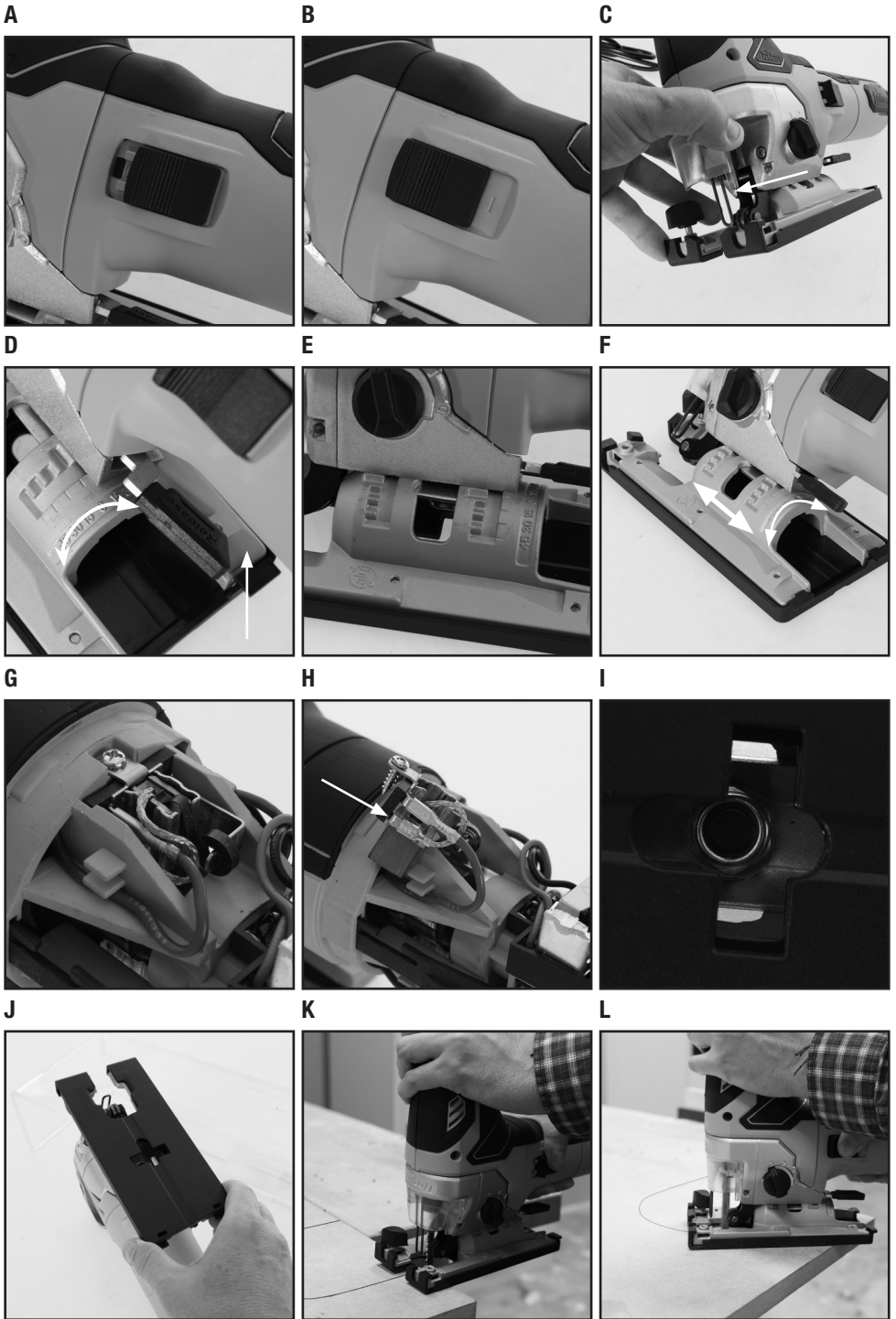


Version date: 06.09.16

Designed in Europe 



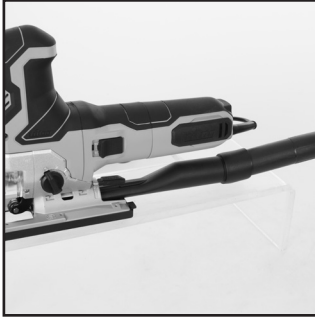




M



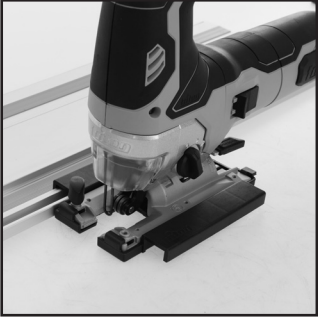
N



O



P



Original Instructions

Introduction

Thank you for purchasing this Triton tool. This manual contains information necessary for safe and effective operation of this product. This product has unique features and, even if you are familiar with similar products, it is necessary to read this manual carefully to ensure you fully understand the instructions. Ensure all users of the tool read and fully understand this manual.

Description of Symbols

The rating plate on your tool may show symbols. These represent important information about the product or instructions on its use.



Wear hearing protection
Wear eye protection
Wear breathing protection
Wear head protection



Wear hand protection



Read instruction manual



Caution!



Toxic fumes or gases!



DO NOT use in rain or damp environments!



Always disconnect from the power supply when adjusting, changing accessories, cleaning, carrying out maintenance and when not in use!



WARNING: Moving parts can cause crush and cut injuries.



Class II construction (double insulated for additional protection)



Environmental Protection
Waste electrical products should not be disposed of with household waste.
Please recycle where facilities exist. Check with your local authority or retailer for recycling advice.



Conforms to relevant legislation and safety standards.

Technical Abbreviations Key

V	Volts	Hz	Hertz
~, AC	Alternating current	→→, DC	Direct current
A, mA	Ampere, milli-Amp	W, kW	Watt, kilowatt
n0	No load speed	/min or min⁻¹	Operations per minute
n	Rated speed	rpm	Revolutions per minute
opm	Orbits or oscillations per minute	dB(A)	Decibel sound level (A weighted)
spm	Strokes per minute	m/s²	Metres per second squared (vibration magnitude)
°	Degrees		
Ø	Diameter		

Specification

Voltage:	230V~, 50 Hz
Power:	750W
No load speed:	800-3000min ⁻¹
Stroke:	26mm
Blade mounting:	Bayonet T shank
Supplied blades:	Wood blade: low profile, curved cuts in wood (natural & composite woods) Wood blade: fast straight cuts in wood (natural & composite) & plastics Metal blade: cuts ferrous and non-ferrous metals
Pendulum:	3 Stage
Cutting angle range:	0°, 15°, 30° & 45° (left & right)
Cutting depth in:	
Wood:	110mm
Aluminium:	25mm
Steel:	10mm
Dimensions (L x W x H):	340 x 85 x 215mm
Weight:	3.5kg
As part of our ongoing product development, specifications of Triton products may alter without notice.	
Sound and vibration information:	
Sound Pressure L_{pk}:	80.9dB(A)
Sound Power L_{WA}:	91.9dB(A)
Uncertainty K:	3dB
Typical Weighted Vibration:	
Cutting Wood:	13.2m/s ²
Cutting Metal Sheet:	13.8m/s ²
Uncertainty:	1.5m/s ²
The sound intensity level for the operator may exceed 85dB(A) and sound protection measures are necessary.	

WARNING: Always wear ear protection where the sound level exceeds 85dB(A) and limit the time of exposure if necessary. If sound levels are uncomfortable, even with ear protection, stop using the tool immediately and check the ear protection is correctly fitted and provides the correct level of sound attenuation for the level of sound produced by your tool.

WARNING: User exposure to tool vibration can result in loss of sense of touch, numbness, tingling and reduced ability to grip. Long-term exposure can lead to a chronic condition. If necessary, limit the length of time exposed to vibration and use anti-vibration gloves. Do not operate the tool with hands below a normal comfortable temperature, as vibration will have a greater effect. Use the figures provided in the specification relating to vibration to calculate the duration and frequency of operating the tool.

Sound and vibration levels in the specification are determined according to EN60745 or similar international standards. The figures represent normal use for the tool in normal working conditions. A poorly maintained, incorrectly assembled, or misused tool, may produce increased levels of noise and vibration. www.osha.europa.eu provides information on sound and vibration levels in the workplace that may be useful to domestic users who use tools for long periods of time.

General Safety

WARNING Read all safety warnings and all instructions. Failure to follow the warnings and instructions may result in electric shock, fire and/or serious injury.

WARNING: This appliance is not intended for use by persons (including children) with reduced, physical or mental capabilities or lack of experience or knowledge unless they have been given supervision or instruction concerning use of the appliance by a person responsible for their safety. Children must be supervised to ensure that they do not play with the appliance.

Save all warnings and instructions for future reference.

The term "power tool" in the warnings refers to your mains-operated (corded) power tool or battery-operated (cordless) power tool.

1) Work area safety

- a) **Keep work area clean and well lit. Cluttered or dark areas invite accidents.**
- b) **Do not operate power tools in explosive atmospheres, such as in the presence of flammable liquids, gases or dust. Power tools create sparks which may ignite the dust or fumes.**
- c) **Keep children and bystanders away while operating a power tool. Distractions can cause you to lose control.**

2) Electrical safety

- a) **Power tool plugs must match the outlet. Never modify the plug in any way. Do not use any adapter plugs with earthed (grounded) power tools. Unmodified plugs and matching outlets will reduce risk of electric shock.**
- b) **Avoid body contact with earthed or grounded surfaces, such as pipes, radiators, ranges and refrigerators. There is an increased risk of electric shock if your body is earthed or grounded.**
- c) **Do not expose power tools to rain or wet conditions. Water entering a power tool will increase the risk of electric shock.**
- d) **Do not abuse the cord. Never use the cord for carrying, pulling or unplugging the power tool. Keep cord away from heat, oil, sharp edges or moving parts. Damaged or entangled cords increase the risk of electric shock.**
- e) **When operating a power tool outdoors, use an extension cord suitable for outdoor use. Use of a cord suitable for outdoor use reduces the risk of electric shock.**
- f) **If operating a power tool in a damp location is unavoidable, use a residual current device (RCD) protected supply. Use of an RCD reduces the risk of electric shock.**

3) Personal safety

- a) **Stay alert, watch what you are doing and use common sense when operating a power tool. Do not use a power tool while you are tired or under the influence of drugs, alcohol or medication. A moment of inattention while operating power tools may result in serious personal injury.**
 - b) **Use personal protective equipment. Always wear eye protection. Protective equipment such as dust mask, non-skid safety shoes, hard hat, or hearing protection used for appropriate conditions will reduce personal injuries.**
 - c) **Prevent unintentional starting. Ensure the switch is in the off-position before connecting to power source and/or battery pack, picking up or carrying the tool. Carrying power tools with your finger on the switch or energising power tools that have the switch on invites accidents.**
 - d) **Remove any adjusting key or wrench before turning the power tool on. A wrench or a key left attached to a rotating part of the power tool may result in personal injury.**
 - e) **Do not overreach. Keep proper footing and balance at all times. This enables better control of the power tool in unexpected situations.**
 - f) **Dress properly. Do not wear loose clothing or jewellery. Keep your hair, clothing and gloves away from moving parts. Loose clothes, jewellery or long hair can be caught in moving parts.**
 - g) **If devices are provided for the connection of dust extraction and collection facilities, ensure these are connected and properly used. Use of dust collection can reduce dust-related hazards.**
- ### 4) Power tool use and care
- a) **Do not force the power tool. Use the correct power tool for your application. The correct power tool will do the job better and safer at the rate for which it was designed.**
 - b) **Do not use the power tool if the switch does not turn it on and off. Any power tool that cannot be controlled with the switch is dangerous and must be repaired.**

- c) **Disconnect the plug from the power source and/or the battery pack from the power tool before making any adjustments, changing accessories, or stringing power tools. Such preventive safety measures reduce the risk of starting the power tool accidentally.**
 - d) **Store idle power tools out of the reach of children and do not allow persons unfamiliar with the power tool or these instructions to operate the power tool. Power tools are dangerous in the hands of untrained users.**
 - e) **Maintain power tools. Check for misalignment or binding of moving parts, breakage of parts and any other condition that may affect the power tool's operation. If damaged, have the power tool repaired before use. Many accidents are caused by poorly maintained power tools.**
 - f) **Keep cutting tools sharp and clean. Properly maintained cutting tools with sharp cutting edges are less likely to bind and are easier to control.**
 - g) **Use the power tool, accessories and tool bits etc. in accordance with these instructions, taking into account the working conditions and the work to be performed. Use of the power tool for operations different from those intended could result in a hazardous situation.**
- ### 5) Service
- a) **Have your power tool serviced by a qualified repair person using only identical replacement parts. This will ensure that the safety of the power tool is maintained.**

Jigsaw Safety

WARNING: Before connecting a tool to a power source (mains switch power point receptacle, outlet etc.) be sure that the voltage supply is the same as that specified on the nameplate of the tool. A power source with a voltage greater than that specified for the tool can result in serious injury to the user, and damage to the tool. If in doubt, do not plug in the tool. Using a power source with a voltage less than the nameplate rating is harmful to the motor.

- Hold the power tool by insulated gripping surfaces only, when performing an operation where the cutting tool may contact hidden wiring or its own cord. Contact with a "live" wire will also make exposed metal parts of the power tool "live" and could give the operator an electric shock.
- Do not reach underneath the workpiece. The guard cannot protect you from the blade below the workpiece.
- Never hold piece being cut in your hands or across your leg. Secure the workpiece to a stable platform. It is important to support the work properly to minimise body exposure, blade binding, or loss of control.

For safety relating to protective clothing/equipment and general health hazards relating to power tools; refer to General and Electrical Safety sections in this manual

- Do not allow anyone below 18 years of age operate this jigsaw
- Ensure there is adequate lighting
- Rags, cloths, cord and string etc should not be left around the work area
- Keep the area free of tripping hazards
- Inspect the workpiece and remove all embedded objects before starting work
- Support or clamp the workpiece to avoid vibration, and ensure a good cut
- See specification section of this manual for the correct type of blade. Incorrect blades may not be secured correctly, causing a safety hazard
- Only use blades that are in good condition
- If you are interrupted when operating the saw, complete the process and switch off before looking up
- Keep your hands away from the underside of the workpiece
- Ensure that an appropriate blade is used for the material being cut Ensure all supports and power cables are completely clear of the cutting path
- Where guards exist, ensure they are in place
- Do not put pressure on the tool. Allow the blade to cut at its own pace. This will produce better results and maximise the service life of the tool
- Before cutting, check that there is sufficient clearance for the blade under the workpiece
- Always keep the shoe pressed against the workpiece
- Do not attempt to cut material thicker than detailed in the specifications section of this manual
- Do not force the blade to bend or twist whilst cutting
- If a cut does not extend to the edge of the workpiece, allow the blade to come to a complete stop before lifting it from the workpiece
- Do not use your hands to remove sawdust, chips or waste close by the blade
- Do not reach over the blade to remove waste or off-cuts
- Blades heat up during use. Allow to cool completely before handling
- If a blade jams, disconnect the machine from the power supply prior to releasing the blade
- Periodically check that all nuts, bolts and other fixings, tighten where necessary

Cutting tool safety

WARNING. Before connecting a tool to a power source (mains switch, power point, receptacle, outlet, etc.) be sure that the voltage supply is the same as that specified on the nameplate of the tool. A power source with a voltage greater than that specified for the tool can result in serious injury to the user, and damage to the tool. If in doubt, do not plug in the tool. Using a power source with a voltage less than the nameplate rating is harmful to the motor.

Use the correct cutting tool

- Ensure the cutting tool is suitable for the job. Do not assume a tool is suitable without checking the product literature before use

Protect your eyes

- Always wear appropriate eye protection when using cutting tools
- Spectacles are not designed to offer any protection when using this product; normal lenses are not impact resistant and could shatter

Protect your hearing

- Always wear suitable hearing protection when tool noise exceeds 85dB

Protect your breathing

- Ensure that yourself, and others around you, wear suitable dust masks

Protect your hands

- Do not allow hands to get close to the cutting wheel or blades. Use a suitable push stick for shorter workpieces with appropriate power tools

Be aware of others around you

- It is the responsibility of the user to ensure that other people in the vicinity of the work area are not exposed to dangerous noise or dust and are also provided with suitable protective equipment

Hidden objects

- Inspect the workpiece and remove all nails and other embedded objects before cutting
- Do not attempt to cut material that contains embedded objects unless you know that the cutting tool fitted to your machine is suitable for the job
- Walls may conceal wiring and piping, car body panels may conceal fuel lines, and long grass may conceal stones and glass. Always check the work area thoroughly before proceeding

Beware of projected waste

- In some situations, waste material may be projected at speed from the cutting tool. It is the user's responsibility to ensure that other people in the work area are protected from the possibility of projected waste

Fitting cutting tools

- Ensure cutting tools are correctly and securely fitted and check that wrenches / adjusters are removed prior to use
- Only use cutting tools recommended for your machine
- Do not attempt to modify cutting tools
- Ensure blades are sharp, in good condition and correctly fitted
- Do not attempt to sharpen blades that are not suitable for sharpening, these may include specially hardened blades or blades made from hardened alloys typically containing tungsten
- Blades that can be resharpened should be resharpened only according to the blade manufacturer's instructions. These may include a limited number of times the blade can be resharpened
- Sharpened blades should be more thoroughly inspected before use and replaced immediately if there is any doubt about their condition and suitability for use
- In the event blades encounter an embedded object in use that the blades are not suitable for, blades should be replaced immediately

Direction of feed

- Always feed work into the blade or cutter against the direction of movement of the blade or cutter

Beware of heat

- Cutting tools and workpieces may become hot in use. Do not attempt to change tools until they have been allowed to cool completely

Control dust / swarf

- Do not allow dust or swarf to build up. Sawdust is a fire hazard, and some metal swarf is explosive
- Be especially careful when cutting wood and metal. Sparks from metal cutting are a common cause of wood dust fires
- Where possible, use a dust extraction system to ensure a safer working environment

Product Familiarisation

1. Auxiliary Handle
2. Main Handle
3. On/Off Switch
4. Base
5. Base Cover
6. Mode Selector
7. Blade Guide
8. Parallel Guide Slot
9. Parallel Guide Locking Knob Threads
10. Blade Guard Bar
11. Guard Blade Release
12. Blade Mounting
13. Motor Vents
14. Variable Speed Dial
15. Brush Access Screw
16. Base Angle Lock

Accessories (not listed):

- TJSBW10 Wood Cutting Blade – Curved Cuts
- TJSBW06 Wood & Plastics Cutting Blade
- TJSBM21 Metal Cutting Blade
- Dust Port Adaptor
- Parallel Guide
- Parallel Guide Knobs x 2
- Track Adaptor
- Soft Bag


Intended Use

Pendulum action jigsaw for medium duty precise straight and shaped cutting of wood, plastic and thin sheet metal (when using appropriate blades). Also connects to the Triton track system for cutting short length internal/pocket cuts and cut-outs with straight edges.

Unpacking Your Tool

- Carefully unpack and inspect your new tool. Familiarise yourself with all its features and functions
- Ensure that all parts of the tool are present and in good condition. If any parts are missing or damaged, have such parts replaced before attempting to use this tool

Before Use

 **WARNING:** Ensure the tool is disconnected from the power supply before attaching or changing any accessories, or making any adjustments.

Blade guide

- The Blade Guide (7) is spring loaded. Depending on the position of the Mode Selector (6), the Blade Guide remains stationary (non-pendulum) or oscillates backwards and forwards, causing the blade to cut with a pendulum action

Pendulum adjustment

Pendulum modes enable more efficient cutting of materials by creating a slightly curved oscillating cut. This enables superior cutting in thicker workpieces and puts the motor and blade under less stress in use by allowing a small amount of clearance between the blade and workpiece in stages of the cut.

The Mode Selector (6) has 4 positions:

- Position '0' selects normal cutting without pendulum action
- Positions 1, 2 and 3 engage pendulum action. This causes the blade to swing slightly backwards and forwards as it cuts, increasing cutting efficiency
- Position 1 provides minimum pendulum action ; position 3 provides maximum pendulum action
- Experiment on a piece of scrap material to determine the optimum pendulum action setting for the workpiece

IMPORTANT: Do not adjust the pendulum mode while the jigsaw is in use.

Adjusting the base for bevel cutting

The Base (4) has 3 notched angle positions (15°, 30° & 45°) both left and right (Image E):

1. Turn the jigsaw upside down and release the Base Angle Lock (16) by pulling out the lever (Image D)
2. Adjust the Base to the required position (Image F)
3. Retighten the Base Angle Lock

Note: For accurate work, make a trial cut in scrap material; check the cut and adjust as necessary until the correct setting is achieved.

Note: If you wish to set an angle for the Base outside the notched positions, it relies purely on friction/tension and there is a risk the Base may move in operation. Careful adjustment of the Base securing bolt (Image I) may be required.

Dust port adaptor

It is recommended that this tool is used with a dust extraction system for a cleaner and safer work environment. This is especially important where the toxicity of the workpiece is not known, i.e. older surface coatings including paint or unknown wood treatment solutions.

- The Dust Port Adaptor (Image N) clips into the rear of the base and allows a dust extraction system or a household vacuum cleaner to be connected to the tool in order to remove dust whilst the tool is in use

⚠ WARNING: Hot metal swarf generated by cutting metal sheets may ignite residual wood dust previously collected in the dust extraction system bag or canister. In such circumstances, dust extraction is not recommended for metal cutting unless any risk is eliminated.

Changing a blade

1. Turn the tool upside down so you can access the jigsaw blade (Image D)
2. Pull out the Guard Blade Release (11) and remove and replace the blade (Image C)
3. Gently allow the Guard Blade Release to move back to its normal position
4. Check the blade is correctly fitted and lines up with the Blade Guide (7)

Note: If the blade is difficult to release, very lightly tap the end of the blade with a wooden mallet or similar. This will free the blade which can then be released.

Fitting a Base Cover

The jigsaw is supplied with a general purpose Base Cover (5) which prevents scratches and damage to most surfaces. Contact your Triton dealer for additional Base Covers for other surfaces.

- To remove a Base Cover, clip off at the back of the Base (4) and then remove from the front of the Base (Image J)
- To fit a Base Cover, clip over the front of the Base and then click fit over the rear of the Base

Fitting the Track Adaptor

The Track Adaptor provides an easy and accurate parallel guide using the Triton track system for cutting short length internal/pocket cuts and cut-outs with straight edges.

1. The Track Adaptor clips over the bare Base (4) without a Base Cover (5) fitted
2. Fit the front of the bare Base to the Track Adaptor then clip in the rear of the Base.
3. The Track Adaptor fits over Triton Track as shown (Image P) to provide an accurate and easy straight cut

Fitting the Parallel Guide

The Parallel Guide relies on the edge of the workpiece or other parallel edge to provide a straight parallel cut on the workpiece.

1. Fit the 2 Parallel Guide Knobs to the Parallel Guide Locking Knob Threads (9) but do not tighten
2. Insert the Parallel Guide into the Parallel Guide Slot (8) on the required side for your cut making sure the Parallel Guide edge plate is facing downwards (Image O)
3. Adjust to the required length using the graduations on the guide or other measuring device
4. Tighten the Parallel Guide Knobs to secure the Parallel Guide ready for use

Operation

⚠ WARNING: ALWAYS wear eye protection, adequate respiratory and hearing protection, as well as suitable gloves, when working with this tool.

Adjusting the cutting speed

The speed of the tool can be preset before use as well as adjusted during use, using the Variable Speed Dial (14) at the rear of the tool. Pre-setting the speed allows the operator to concentrate on controlling the tool safely using the two large handles, Auxiliary Handle (1) and Main Handle (2). Blade speed may be adjusted to suit the material being cut. This enhances cutting performance and saves the blade from undue wear:

- Use the Variable Speed Dial (14) to set the speed of the blade

Switching on and off

1. Connect the tool to mains power
2. Switch on the tool by pushing the On/Off Switch (3) forward and press down on the front to lock it in the on position (Images A & B)
3. Press down on the rear of the On/Off Switch which will cause the spring-loaded switch to move instantly to the stop position

Making a cut

WARNING: Ensure the Guard Blade Release (11) guard window and Blade Guard Bar (10) are in good condition and correctly positioned to prevent fingers touching the teeth of the blade in use

1. Position the front of the Base (4) on the edge of the workpiece (Image M) and start the saw
2. Allow the blade to reach full speed before engaging the workpiece
3. Slowly guide the jigsaw forward using both hands, keeping the Base against the workpiece
4. Do not force the saw: allow the blade and the saw to do the work. Use only enough pressure to keep the blade cutting

Pocket and circular cutting

- When starting a cut within a workpiece, drill a 12mm diameter hole on the waste side of the cut to ensure there is clearance for the blade (Image L)
- When cutting tight curves, reduce the speed of the saw (Image K)

WARNING: Do not move the saw forward along its cut until the blade has completely entered the material and the shoe comes to rest on its surface.

Using the parallel guide

- Use the Parallel Guide to guide the jigsaw along a straight line, which can be an edge of the workpiece or a piece of straight timber clamped to the workpiece
- The fence is particularly useful for ensuring consistency when cutting multiple strips from a single piece of material

Cutting metal

- When cutting metals, a suitable cooling/cutting oil must be used
- Apply the lubricant to the blade or workpiece at regular intervals during cutting in order to reduce wear on the blade

Accessories

- Accessories for your jigsaw, including blades for different kinds of materials and cuts, are available from your Triton stockist. Spare parts can be obtained at www.toolsaresonline.com

Maintenance

⚠ WARNING: ALWAYS disconnect from the power supply before carrying out any inspection, maintenance or cleaning.

General inspection

- Regularly check that all the fixing screws are tight
- Inspect the supply cord of the tool, prior to each use, for damage or wear. Repairs should be carried out by an authorised service centre. This advice also applies to extension cords used with this tool

Cleaning

WARNING: ALWAYS wear protective equipment including eye protection and gloves when cleaning this tool.

- Keep your tool clean at all times. Dirt and dust will cause internal parts to wear quickly, and shorten the device's service life
- Clean the body of your machine with a soft brush, or dry cloth
- Never use caustic agents to clean plastic parts. If dry cleaning is not sufficient, a mild detergent on a damp cloth is recommended
- Water must never come into contact with the tool
- Ensure the tool is thoroughly dry before using it
- If available, use clean, dry, compressed air to blow through the ventilation holes (where applicable)

Lubrication

- Slightly lubricate all moving parts at regular intervals with a suitable spray lubricant

Brushes

- Over time the carbon brushes inside the motor may become worn
 - Excessively worn brushes may cause loss of power, intermittent failure, or visible sparking
1. To replace the carbon brushes remove the Brush Access Screw (15) and carefully pull off the cover at the rear of the tool
 2. Remove the small screw (Image G) and lift the frame that holds the carbon brush up by about 12mm (1/2") then carefully remove the electrical connector (arrowed in Image H)
 3. Push the connector with bare multi-strand copper wire through the frame as you remove the old worn carbon brush

4. Fit the connector and wire of the new brush through the frame before placing the new carbon brush into the frame
 5. Connect the electrical connector (Image H)
 6. Carefully fit the frame back into the recess and secure with the screw
 7. Visually check the frame is correctly fitted
 8. Repeat steps 2-7 for the other carbon brush
 9. Refit the Base Cover (5) and the Brush Access Screw ensuring the mains cable is not caught and the Variable Speed Dial (14) is lined up correctly
 10. Remove any blades from the tool and connect to the mains
 11. Run the tool at a slow speed initially and then increase the speed to ensure the tool is operating correctly
- Alternatively have your tool serviced at a Triton service centre

IMPORTANT: Always replace carbon brushes in pairs.

Storage

- Store this tool carefully in a secure, dry place out of the reach of children

Disposal

Always adhere to national regulations when disposing of power tools that are no longer functional and are not viable for repair.

- Do not dispose of power tools, or other waste electrical and electronic equipment (WEEE), with household waste
- Contact your local waste disposal authority for information on the correct way to dispose of power tools

Guarantee

To register your guarantee visit our web site at www.tritontools.com* and enter your details.

Your details will be included on our mailing list (unless indicated otherwise) for information on future releases. Details provided will not be made available to any third party.

Purchase Record

Date of Purchase: ___/___/___

Model: XXXX Retain your receipt as proof of purchase

Triton Precision Power Tools guarantees to the purchaser of this product that if any

CE Declaration of Conformity

The undersigned: Mr Darrell Morris

as authorised by: Triton Tools

Declares that

This declaration has been issued under the sole responsibility of the manufacturer.

The object of the declaration is in conformity with the relevant Union harmonisation Legislation.

Identification code: XXXXX

Description: XXXXX

Conforms to the following directives and standards:

- Machinery Directive 2006/42/EC
- Low Voltage Directive 2014/35/EU
- EMC Directive 2014/30/EU
- RoHS Directive 2011/65/EU
- Outdoor Noise Directive 2000/14/EC
- EN60745-1
- EN60745-2-1
- EN60745-2-2

part proves to be defective due to faulty materials or workmanship within 3 YEARS from the date of original purchase,

Triton will repair, or at its discretion replace, the faulty part free of charge.

This guarantee does not apply to commercial use nor does it extend to normal wear and tear or damage as a result of accident, abuse or misuse.

* Register online within 30 days.

Terms & conditions apply.

This does not affect your statutory rights

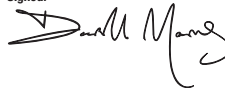
- EN60335-1
- EN60335-2-29

Notified body: TÜV Rheinland Co., Ltd

The technical documentation is kept by: Triton Tools

Date: XXXX/XXXX

Signed:



Mr Darrell Morris

Managing Director

Name and address of the manufacturer:

Powerbox International Limited, Company No. 06897059. Registered address: Powerbox Int. Ltd. Somerset, BA22 8HZ, UK.

Vertaling van de originele instructies

Introductie

Hartelijk dank voor de aanschaf van dit Triton- gereedschap. Deze instructies bevatten informatie die u nodig hebt voor een veilige en doeltreffende bediening van dit product. Dit product heeft unieke kenmerken. Zelfs als u bekend bent met gelijksoortige producten dient u deze handleiding zorgvuldig door te lezen, zodat u in staat bent alle voordelen te benutten. Houd deze handleiding bij de hand en zorg ervoor dat alle gebruikers van dit gereedschap de handleiding hebben gelezen en volledig hebben begrepen.

Beschrijving symbolen

Op het gegevensplaatje van uw gereedschap kunnen zich symbolen bevinden. Deze vertegenwoordigen belangrijke productinformatie en gebruiksinstructies.



Draag gehoorbescherming
Draag een veiligheidsbril
Draag een stofmasker
Draag een veiligheidshelm



Draag handschoenen



Lees de handleiding



Voorzichtig!



Giftige dampen of gassen!



Gebruik niet de regen of in vochtige omstandigheden!



Ontkoppel de machine van de stroombron voor het maken van aanpassingen, het verwisselen van accessoires, het schoonmaken, het uitvoeren van onderhoud en wanneer de machine niet in gebruik is!



WAARSCHUWING: Bewegende delen kunnen ernstig letsel veroorzaken.



Beschermingsklasse II (dubbel geïsoleerd)



Milieubescherming
Elektrische producten mogen niet met het normale huisvuil worden weggegooid. Indien de mogelijkheid bestaat, dient u het product te recyclen. Vraag de plaatselijke autoriteiten of winkelier om advies betreffende recyclen.



Voldoet aan de relevante wetgeving en veiligheidsnormen

Technische afkortingen en symbolen

V	Volt	Hz	Hertz
~, AC	Wisselspanning	==>, DC	Gelijkspanning
A, mA	Ampère, milliampère	W, kW	Watt, kilowatt
n0	Onbelaste snelheid	/min of min⁻¹	Operaties per minuut
n	Snelheid	rpm	Revoluties per minuut
opm	Oscillaties per minuut	dB(A)	Decibel geluidsniveau (A)
spm	Slagen per minuut	m/s²	Meters per seconde (trilling)
°	Graden		
Ø	Diameter		

Specificaties

Spanning:	230 V~, 50 Hz
Vermogen:	750 W
Onbelaste snelheid:	800-3000 min ⁻¹
Slaglengte:	26 mm
Zaagblad:	Bajonet T-schacht
Inbegrepen zaagbladen:	Hout blad: laag profiel, gevormde sneden in hout (natuurlijk en composiet) Hout blad: Snelle rechte sneden in hout (natuurlijk en composiet) Metaal blad: sneden in ferro en non-ferro metalen
Pendelslag:	3-stap
Zaag hoek bereik:	0°, 15°, 30° en 45° (links en rechts)
Zaagdiepte in:	
Hout:	110 mm
Aluminium:	25 mm
Staal:	10 mm
Afmetingen (L x B x H):	340 x 85 x 215 mm
Gewicht:	3,5 kg
Met het oog op onze aanhoudende productontwikkeling kunnen de specificaties van Silverline producten zonder voorafgaande kennisgeving worden gewijzigd	
Geluid en trilling:	
Geluidsdruk:	80,9 dB(A)
Geluidsvermogen:	91,9 dB(A)
Onzekerheid:	3 dB
Trilling bij het zagen van:	
Hout:	13,2 m/s ²
Plaatmetaal:	13,8 m/s ²
Onzekerheid:	1,5 m/s ²
De geluidsintensiteit voor de bediener kan 85 dB(A) overschrijden en de gehoorbescherming is noodzakelijk	

WAARSCHUWING: Bij een geluidsintensiteit van 85 dB(A) of hoger is het dragen van gehoorbescherming en het limiteren van de blootstellingsduur vereist. Bij oncomfortabel hoge geluidsniveaus, zelfs met het dragen van gehoorbescherming, stopt u het gebruik van de machine onmiddellijk. Controleer de pasvorm en het geluidsdempingsniveau van de bescherming.

WAARSCHUWING: Blootstelling aan trilling resulteert mogelijk in gevoelloosheid, tinteling en een verminderd gripvermogen. Langdurige blootstelling kan leiden tot chronische condities. Limiteer de blootstellingsduur en draag anti-vibratie handschoenen. Vibratie heeft een grotere invloed op handen met een temperatuur lager dan een normale, comfortabele temperatuur. Maak gebruik van de informatie in de specificaties voor het berekenen van de gebruiksduur en frequentie van de machine.

Geluid- en trillingsniveaus in de specificatie zijn vastgesteld volgens EN60745 of een gelijksoortige internationale norm. De waarden gelden voor een normaal gebruik in normale werkomstandigheden. Een slecht onderhouden, onjuist samengestelde of onjuist gebruikte machine produceert mogelijk hogere geluids- en trillingsniveaus. www.osha.europa.eu biedt informatie met betrekking tot geluids- en trillingsniveaus op de werkplek wat mogelijk nuttig is voor regelmatige gebruikers van machines.

Algemene veiligheid

WAARSCHUWING Lees alle bediening- en veiligheidsvoorschriften. *Het niet opvolgen van alle voorschriften die hieronder vermeld staan, kan resulteren in een elektrische schok, brand en/of ernstig letsel.*

WAARSCHUWING: De machine is niet geschikt voor gebruik door personen met een verminderde mentale of fysieke gesteldheid of een gebrek aan ervaring, tenzij de persoon wordt begeleid of geïnstrueerd door een persoon verantwoordelijk voor de veiligheid

Bewaar deze voorschriften voor toekomstig gebruik.

De term "elektrisch gereedschap" in alle hieronder vermelde waarschuwingen heeft betrekking op uw elektrische gereedschap dat op de stroom is aangesloten (met een snoer) of met een accu wordt gevoed (snoerloos).

1) Veiligheid in de werkruimte

a) **Houd de werkruimte schoon en zorg voor een goede verlichting.** Rommelige en donkere ruimtes leiden vaak tot ongelukken.

b) **Werk niet met elektrisch gereedschap in explosieve omgevingen, bijvoorbeeld in de aanwezigheid van ontvlambare vloeistoffen, gasen of stof.** Elektrisch gereedschap brengt vonken teweeg die stof of dampen kunnen ontbranden.

c) **Houd kinderen en omstanders uit de buurt wanneer u elektrisch gereedschap bedient.** Door afleiding kunt u de controle over het gereedschap verliezen.

2) Elektrische veiligheid

a) **De stekkers van het elektrische gereedschap moeten passen bij het stopcontact. Pas de stekker niet aan.** Gebruik geen adapterstekkers bij geaard elektrisch gereedschap. *Het gebruik van ongeschikte stekkers en passende stopcontacten vermindert het risico op een elektrische schok.*

b) **Vermijd lichamenlijk contact met geaarde oppervlakken zoals pijpen, radiatoren, fornuizen en koelkasten.** Het risico op een elektrische schok neemt toe als uw lichaam geaard wordt.

c) **Laat elektrisch gereedschap niet nat worden.** Wanneer elektrisch gereedschap nat wordt, neemt het risico op een elektrische schok toe.

d) **Beschadig het snoer niet.** Gebruik het snoer nooit om het elektrisch gereedschap te dragen, te trekken of om de stekker uit het stopcontact te trekken. Houd het snoer uit de buurt van hitte, olie, scherpe randen of bewegende delen. Een beschadigd of in de knoop geraakt snoeren verhoogt het risico op een elektrische schok toe.

e) **Wanneer u elektrisch gereedschap buiten gebruikt, maak dan gebruik van een verlengsnoer dat geschikt is voor gebruik buitenshuis om het risico op een elektrische schok te verminderen.**

f) **Indien het onvermijdelijk is elektrisch gereedschap te gebruiken in een vochtige omgeving, gebruik dan een energiebron met een aard lek beveiliging (Residual Current Device).** Het gebruik van een RCD vermindert het risico op een elektrische schok.

g) **WAARSCHUWING:** Wanneer de machine in Australië of Nieuw-Zeeland gebruikt wordt, met een lekstroom van 30 mA of lager, is het gebruik van een aardlekschakelaar aanbevolen

3) Persoonlijke veiligheid

a) **Blijf alert en gebruik uw gezonde verstand wanneer u elektrisch gereedschap bedient.** Gebruik het elektrisch gereedschap niet wanneer u vermoed bent of onder invloed van drugs, alcohol of medicijnen. *Onoplettendheid tijdens het bedienen van elektrisch gereedschap kan leiden tot ernstig letsel.*

b) **Maak gebruik van persoonlijke bescherming. Draag altijd een veiligheidsbril.** Passende bescherming voor de omstandigheden, zoals een stofmasker, niet-slipende veiligheidschoenen en een helm of gehoorbescherming, vermindert het risico op persoonlijk letsel.

c) **Zorg ervoor dat het apparaat niet per ongeluk wordt gestart. Controleer of de schakelaar in de 'uit' stand staat voordat u de stekker in het stopcontact steekt.** Het dragen van elektrisch gereedschap met uw vinger op de schakelaar of het aansluiten op de stroom van elektrisch gereedschap met de schakelaar ingeschakeld kan tot ongelukken leiden.

d) **Verschijder alle stel- of moersleutels voordat u het elektrische gereedschap inschakelt.** Een moer- of stelsleutel die zich op een draaiend onderdeel van het elektrische gereedschap bevindt, kan leiden tot letsel.

e) **Reik niet te ver. Blijf altijd stevig en in balans staan. Zo houdt u meer controle over het elektrische gereedschap in onverwachte situaties.**

f) **Draag geschikte kleding. Draag geen loshangende kleding of sieraden. Houd haren, kleding en handschoenen uit de buurt van bewegende delen.** *Loshangende kleding, sieraden en los hangende haren kunnen vast komen te zitten in bewegende delen.*

g) **Als er onderdelen voor stofafvoer- en stofverzameling worden meegeleverd, sluit deze dan aan en gebruik deze op de juiste wijze.** Het gebruik van deze onderdelen kan het risico op stofgeleeteerde ongelukken verminderen.

4) Gebruik en verzorging van elektrisch gereedschap

a) **Forceer elektrisch gereedschap niet. Gebruik elektrisch gereedschap dat geschikt is voor het werk dat u wilt uitvoeren.** *Geschikt elektrisch gereedschap werkt beter en veiliger op een passende snelheid.*

b) **Gebruik het elektrische gereedschap niet als de schakelaar het apparaat niet in- en uitschakelt.** Elektrisch gereedschap dat niet bediend kan worden met de schakelaar is gevaarlijk en moet gerepareerd worden.

c) **Haal de stekker uit het stopcontact voordat u instellingen aanpast, toebehoren verwisselt of het elektrische gereedschap opbergt.** *Dergelijke voorzorgsmaatregelen verminderen het risico op het per ongeluk starten van het elektrische gereedschap.*

d) **Berg elektrisch gereedschap dat niet in gebruik is op buiten bereik van kinderen en laat mensen die niet bekend zijn met het elektrische gereedschap of met deze instructies het elektrische gereedschap niet bedienen.** Elektrisch gereedschap is gevaarlijk in de handen van onervaren gebruikers.

e) **Onderhoud uw elektrisch gereedschap. Controleer op foutieve uitlijning of het vastslaan van bewegende delen, gebroken onderdelen en elke andere afwijking die de werking van het elektrische gereedschap zou kunnen beïnvloeden.** Indien het elektrische gereedschap beschadigd is, moet u het laten repareren voordat u het weer gebruikt. *Veel ongelukken worden veroorzaakt door slecht onderhouden elektrisch gereedschap.*

f) **Houd snijwerktuigen scherp en schoon.** Goed onderhouden snijwerktuigen met scherpe messen slaan minder snel vast en zijn gemakkelijker te bedienen.

g) **Gebruik het elektrische gereedschap, toebehoren en onderdelen, etc. volgens deze instructies en volgens bestemming voor het specifieke type elektrisch gereedschap, en houd daarbij rekening met de werkomstandigheden en het uit te voeren werk.** *Gebruik van elektrisch gereedschap voor werkzaamheden die verschillen van die waarvoor het apparaat bestemd is, kan leiden tot gevaarlijke situaties.*

5) Onderhoud

a) **Laat uw elektrische gereedschap onderhouden door een gekwalificeerde vakman en gebruik alleen identieke vervangstukken.** *Zo bent u er zeker van dat de veiligheid van het elektrische gereedschap gewaarborgd blijft.*

Veiligheid voor decoupeerzagen

WAARSCHUWING: Zorg ervoor dat de zaag wordt aangesloten op een stroombron met dezelfde spanning als die weergegeven op het gegevensplaatje van de machine. Een stroombron met een hogere spanning kan leiden tot serieuze verwondingen aan de gebruiker en schade aan de machine. Een stroombron met een lagere spanning kan schadelijk zijn voor de motor. Sluit de machine bij enige twijfel niet aan.

• **Houdt de machine tijdens gebruik, wanneer het zaagblad kan komen met verborgen delen of het eigen stroomsoer, enkel bij de geïsoleerde handvaten vast.** *Bij het contact met stroomdraden komen alle metalen onderdelen van de machine onder stroom te staan, wat kan resulteren in elektrische schok*

• **Reik niet onder het werkstuk.** *De beschermkap beschermt u niet onder het werkstuk*

• **Houdt het werkstuk nooit met de hand vast en rust het werkstuk niet op uw knieën.** *Klem het werkstuk op een stevig oppervlak. Een goede ondersteuning minimaliseert de kans op persoonlijk letsel, bladbuiging en controleverlies*

Voor veiligheid betreffende beschermende kleding en gezondheidsgevaaren, raadpleeg t de algemene en elektrische veiligheid sectie in deze handleiding

- Laat niemand jonger dan 18 jaar de decoupeerzaag bedienen
- Zorg voor een adequate verlichting
- Doeken, touwen en draden horen uit het werkgebied gehaald te worden
- Houdt de werkruimte vrij van struikelgevaaren
- Inspecteer het werkstuk en verwijder alle ingebodde voorwerpen
- Klem het werkstuk vast om vibratie tegen te gaan
- Raadpleeg de specificaties voor de juiste zaagbladgegevens. Het gebruik van onjuiste zaagbladen is erg gevaarlijk
- Gebruik alleen zaagbladen die in een goede staat verkeren
- Wanneer u tijdens het zagen onderbroken wordt, maakt u de snede af en schakelt u de zaag uit voordat u opkijkt
- Houd uw handen onder het werkstuk vandaan
- Zorg ervoor dat het zaagblad geschikt is voor het materiaal en zorg ervoor dat alle steunen en stroomkabels goed uit de buurt van de zaag lijn worden gehouden
- Zorg ervoor dat alle beschermkappen bevestigd zijn
- Oefen geen druk op de zaag uit. Laat de machine zelf het werk doen. Hierdoor krijgt u een beter resultaat en ook maximaliseert u de levensduur van de zaag
- Zorg voor een vrije ruimte onder het werkstuk voordat u begint met zagen
- Houd de basisplaat te allen tijde tegen het werkstuk aangedrukt
- Zaag geen materiaal dikker dan beschreven in de specificaties
- Forceer het blad niet tot buigen of verdraaien

- Als de zaag niet tot aan de rand van het werkstuk reikt, laat u het zaagblad volledig tot stilstand komen voordat het uit het werkstuk wordt gehaald
- Verwijder zaagsel en splinters dicht bij het zaagblad niet met uw handen
- Reik niet over het zaagblad om zaagsel en splinters te verwijderen
- Denk er aan dat het zaagblad na het zagen heet zal zijn. Laat het na gebruik volledig afkoelen voordat het wordt gehanteerd
- Als een zaagblad is vastgelopen, haalt u de stekker uit het stopcontact voordat wordt geprobeerd om het zaagblad los te krijgen
- Controleer regelmatig of alle bouten, moeren en andere bevestigingsmiddelen goed vast zitten

Veiligheid zaaggereedschap

Gebruik het juiste zaaggereedschap

- Zorg ervoor dat u zaaggereedschap geschikt is voor de klus. Raadpleeg altijd eerst de gebruiksaanwijzing van het product. Neem niet zonder meer aan dat het gereedschap geschikt is

Bescherm uw ogen

- Draag bij het gebruik van zaaggereedschap altijd geschikte oogbescherming.
- Een gewone bril is niet ontworpen om bescherming te bieden bij het gebruik van dit product. Normale lenzen zijn niet schokvast en kunnen versplinteren.

Bescherm uw gehoor

- Draag altijd geschikte gehoorbescherming bij gereedschap dat een geluidsniveau van meer dan 85 dB produceert

Bescherm uw luchtwegen

- Bij werk waarbij stof vrijkomt, moet altijd een geschikt gezicht- of stofmasker worden gedragen. Wees voorzichtig dat u anderen om u heen niet blootstelt aan stof

Denk aan anderen om u heen

- Het is de verantwoordelijkheid van de gebruiker om ervoor te zorgen dat andere mensen in de nabijheid van het werkgebied niet worden blootgesteld aan gevaarlijk geluid en stof. Zorg ervoor dat alle personen die het nodig hebben voorzien worden van geschikte persoonlijke beschermingsmiddelen

Verborgen voorwerpen

- Inspecteer het werkstuk en verwijder alle spijkers en andere voorwerpen
- Zaag geen werkstukken met vastzittende voorwerpen, tenzij de machine en het zaagblad hiertoe in staat zijn
- Let op voor verborgen voorwerpen. Muren verbergen mogelijk bedradingen en pijpleidingen, autopanelen verbergen mogelijk brandstofleidingen en gras verbergt mogelijk stenen en glas. Controleer het werkstuk grondig voordat u gaat zagen

Wees voorzichtig met rondvliegend afval

- In sommige gevallen wordt het afval met grote snelheid door het gereedschap opgeworpen. Zorg ervoor dat er geen andere personen in de werkomgeving zijn. Als het nodig is om andere personen dichtbij te hebben, draagt de gebruiker er de verantwoordelijkheid voor dat ze zijn uitgerust met de juiste persoonlijke beschermingsmiddelen

Het monteren van zaagbladen

- Zorg ervoor dat de zaagbladen goed zijn aangebracht en vastgezet voordat het gereedschap wordt gebruikt. Stel vast dat steeksluutels en andere stelmiddelen vóór gebruik zijn verwijderd
- Gebruik uitsluitend zaagbladen die zijn aanbevolen voor uw machine
- Probeer zaaggereedschap niet te wijzigen

Wees voorzichtig met hitte

- Denk er aan dat het zaaggereedschap en de werkstukken tijdens het werk heet kunnen worden. Probeer niet om iets aan te passen voordat het gereedschap helemaal is afgekoeld

Beheers afval

- Voorkom een ophoping van zaagsel en spanen. Zaagsel veroorzaakt brandgevaar, en sommige soorten metaalspanen zijn explosief
- Wees vooral voorzichtig met machines die worden gebruikt voor het zagen van hout en metaal. Vonken bij het zagen van metaal veroorzaken vaak brand in stof en zaagsel
- Gebruik waar mogelijk een stofafvoersysteem om voor een veiligere werkomgeving te zorgen

Onderdelenlijst

1. Hulpbandvat
2. Hoofdhandvat
3. Aan-/uitschakelaar
4. Voet
5. Voet huls
6. Stand schakelaar
7. Bladgeleider
8. Parallelgeleider gleuf
9. Parallelgeleider vergrendelknop gat
10. Zaagblad beschermstaaf
11. Blad verloshendel
12. Bladmontage
13. Motor ventilatiegaten
14. Variabel snelheidswiel
15. Koolstofborstel toegangsschroef
16. Voet hoek-vergrendelhendel

Accessoires (niet afgebeeld):

- TJSBW10 Hout zaagblad – Gevormde sneden
- TJSBW06 Hout en plastic zaagblad
- TJSBM21 Metaal zaagblad
- Stofpoort adapter
- Parallelgeleider
- Parallelgeleider knoppen x2
- Rails adapter
- Zachte opbergtas

Gebruiksdoel

Decoupeerzaag voor het maken van nauwkeurige, middel zware rechte en gevormde zaagsneden in hout, plastic, ferro en non-ferro metalen (met het gebruik van de geschikte zaagbladen). Tevens te bevestigen op het Triton rails systeem voor het zagen van korte interne sneden en het zagen van rechte randen

Het uitpakken van uw gereedschap

- Pak uw toestel / gereedschap uit. Inspecteer het en zorg dat u met alle kenmerken en functies vertrouwd raakt
- Controleer of alle onderdelen aanwezig zijn en in goede staat verkeren. Als er onderdelen ontbreken of beschadigd zijn, zorg dan dat deze vervangen worden voor u dit toestel / gereedschap gebruikt

Voor gebruik

WAARSCHUWING: Ontkoppel de machine van de stroombron voordat u accessoires wisselt of enige aanpassingen maakt

Zaagbladgeleider

- De zaagbladgeleider (7) werkt met een veer. Afhankelijk van de stand schakelaar (6) blijft de geleider stationair (niet-pendelen) of trilt hij achteruit en vooruit, waardoor het zaagblad pendel zaagt

Pendel verstelling

Dankzij de pendelstand is het zagen efficiënter door het creëren van licht gebogen sneden. Zo is het zagen in dichtere materialen gemakkelijk en worden de motor en het zaagblad minimaal belast dankzij een lichte ruimte tussen het werkstuk en het zaagblad

De stand schakelaar (6) heeft 4 standen:

- De eerste stand "0" is voor normaal zagen zonder pendelen
- De volgende 3 standen (1, 2 en 3) laten het zaagblad enigszins achterwaarts en voorwaarts zwenken tijdens het zagen en verhoogt de effectiviteit van het zagen
- Stand 1 geeft een minimale pendelactie, stand 3 geeft de maximale pendelactie
- Experimenteer op een stukje afvalmateriaal om de beste pendelstand te bepalen voor het materiaal van het werkstuk

BELANGRIJK: Pas de stand schakelaar niet aan terwijl de machine in gebruik is

De voet instellen voor hoekzagen

De voet (4) is voorzien van 3 ingekeepte hoekposities (15°, 30° en 45°), zowel links als rechts (Afbeelding E):

1. Draai de machine om en verlos de voet hoek-vergrendelhendel (16) door de hendel uit te trekken (Afbeelding D)

2. Stel de voet in gewenste positie (Afbeelding F)
3. Vergrendel de hoek-vergrendelendheid

Let op: Voor nauwkeurig werk, maakt u een oefen snede in een stuk afvalmateriaal. Controleer de snede en pas de machine wanneer nodig aan totdat de gewenste resultaten bereikt worden

Let op: Bij het instellen van een hoek, anders dan de ingestelde inkepingen, beweegt de voet tijdens het zagen mogelijk. Voorzichtige verstelling van de voet vergrendelbout is mogelijk vereist (Afbeelding I)

Stofpoort adapter

Het is aanbevolen de machine op een stof ontginningsstelsel aan te sluiten, voor het behouden van een schone en veilige werkruimte. Dit is vooral belangrijk wanneer de giftigheid van het hout onduidelijk is; bijvoorbeeld bij oudere oppervlakte coatings als verf of onbekende behandelingen

- De stofadapter (Afbeelding N) is op de achterzijde van de voet te klikken en maakt de aansluiting van een ontginningsstelsel mogelijk. Zo vangt u het geproduceerde zaagsel tijdens het gebruik van de machine op

WAARSCHUWING: Gebruik geen stofvoersysteem of stofzuiger wanneer u metaal zaagt. Door de vonken kunnen restjes houtstof in brand vliegen. Stofontginning is niet aanbevolen bij het zagen van metaal

Het vervangen van het zaagblad

1. Draai de machine ondersteboven, zodat u bij het zaagblad van de decoupeerzaag kunt
2. Trek de verloschendel (11) uit en verwijder en vervang het zaagblad (Afbeelding C)
3. Laet de hendel langzaam terug naar de beginpositie zakken
4. Controleer of het blad juist bevestigd is en uittijnt met de bladgeleider (7)

Let op: Als het lastig is het zaagblad los te krijgen, klop dan lichtjes met een houten hamer o.i.d. op het uiteinde van het zaagblad. Zo komt het zaagblad vrij en kan het verwijderd worden zoals hierboven beschreven

Het bevestigen van de voet huls

De machine is voorzien van een voet hulp (5). Deze voorkomt het krassen en beschadiging van de meeste oppervlakken. Neem contact op met uw Triton handelaar voor bijkomende hulzen voor verschillende oppervlakken

- Voor het verwijderen van de huls, klikt u deze aan de achterzijde van de voet (4) los, gevolgd door de voorkant van de voet (Afbeelding J)
- Voor het bevestigen van de huls, klikt u deze eerst over de voorzijde van de voet, gevolgd door de achterzijde

Het bevestigen van de rails adapter

De rails adapter voorziet een gemakkelijke en nauwkeurige parallelgeleider met behulp van het Triton rails systeem voor het maken van korte, interne sneden met rechte randen

1. De adapter klikt over naakte voet (5), zonder de huls (5)
2. Plaats de voorkant van de voet in de adapter en klik de achterzijde vast.
3. De adapter past over de rails, als afgebeeld in (Afbeelding P), voor het voorzien van snelle en nauwkeurige rechte snede

Het bevestigen van de parallelgeleider

De parallelgeleider steunt op de rand van het werkstuk of een andere parallelle rand, voor het voorzien van een rechte parallel snede

1. Draai de 2 parallelgeleider vergrendelknoppen op de gaten (9), maar draai deze niet strak vast
2. Plaats de parallelgeleider aan de gewenste zijde in de gleuf (8), met de randplaat van de parallelgeleider naar beneden wijzend (Afbeelding O)
3. Verstel op de gewenste lengte met behulp van de schaalverdeling op de geleider
4. Draai de geleider vergrendelknoppen vast om de geleider in plaats te vergrendelen, klaar voor gebruik

Gebruik

WAARSCHUWING: Bij het gebruik van de machine is het dragen van de geschikte beschermende uitrusting, waaronder gehoorbescherming en werkhandschoenen aanbevolen

Het verstellen van de zaagsnelheid

De snelheid van de machine kan vooraf ingesteld worden en tijdens gebruik versteld worden, met gebruik van het variabel snelheidswiel (14) aan de achterzijde van de machine. Als u de snelheid vooraf instelt, kan de gebruiker zich volledig concentreren op het veilig hanteren van de machine

Deze decoupeerzaag heeft een variabele snelheid, wat de zaagprestaties verhoogt en het zaagblad beschermt tegen voortijdige slijtage:

- Gebruik het variabel snelheidswiel (14) om de snelheid van het blad te veranderen

Het in- en uitschakelen van de machine

1. Steek de stekker in het stopcontact
2. Schakel de machine in door de aan-/uitschakelaar (3) naar voren te schuiven en vergrendel de schakelaar door deze naar beneden te drukken (Afbeelding A en B)
3. Druk op de achterzijde van de schakelaar zodat de veer de schakelaar ontgrendelt, om de machine uit te schakelen

Het lasergeleidingssysteem gebruiken

Als de lasergeleiding is ingeschakeld, wordt er een intense smalle straal puur rood licht vanuit de lasergroep (19) uitgezonden. De laser geeft een beter zicht op de zaag lijn, zorgt voor een snellere opzet en maakt het zagen nauwkeuriger en veiliger

- Gebruik de laserlicht schakelaar (1) om de laser in en uit te schakelen

Het maken van een zaagsnede

WAARSCHUWING: Zorg ervoor dat de zaagblad beschermstaaf (10) en blad verloschendel (11) in goede staat verkeren en juist gepositioneerd zijn, zodat uw vingers de zaagblatlantend tijdens gebruik niet kunnen raken

1. Plaats de voorzijde van de voet (4) op de rand van het werkstuk (Afbeelding M) en start de zaag
2. Laet het zaagblad de maximale snelheid bereiken
3. Geleid de decoupeerzaag langzaam met beide handen naar voren, waarbij u de voet plat op het werkstuk houdt
4. Forceer de decoupeerzaag niet. Laet de zaag zelf het werk doen. Oefen genoeg druk uit om het blad te laten zagen

Gat- en rondzagen

- Wanneer u begint te zagen vanuit het midden van een werkstuk, boort u een gat met een diameter van 12 mm, zodat er ruimte voor het zaagblad is (Afbeelding L)
- Wanneer u scherpe hoeken zaagt, dient u de snelheid van de zaag te reduceren (Afbeelding K)

WAARSCHUWING: Voer de zaag niet naar voren langs de zaag lijn voordat het zaagblad helemaal in het materiaal zit en de voetplaat op het oppervlak rust

Parallelgeleider

- Gebruik de geleider om de decoupeerzaag langs een rechte lijn te geleiden. Dit kan de rand van het werkstuk zijn of een rechte lat die op het werkstuk is geklemd
- De geleider is erg handig bij het zagen van meerdere gelijke sneden in een enkel stuk materiaal

Het zagen van metaal

1. Bij het zagen van metaal, gebruikt u een geschikte koel-/zaag olie
2. Spuit tijdens het zagen het smeermiddel met regelmatige tussenpozen op het zaagblad of werkstuk om de slijtage van het zaagblad te verminderen

Accessoires

- Accessoires voor uw decoupeerzaag, waaronder zaagbladen voor verschillende materialen en sneden, zijn verkrijgbaar bij uw Triton handelaar. Reserve onderdelen zijn verkrijgbaar via www.toolsparsonline.com.

Onderhoud

WAARSCHUWING: Ontkoppel de machine van de stroombron voordat u de machine schoonmaakt of enig onderhoud uitvoert

Algemene inspectie

- Controleer regelmatig of alle bevestigingsmiddelen goed vast zitten. Deze trillen na verloop van tijd mogelijk los
- Controleer het stroomsnoer voor elk gebruik op slijtage en beschadiging. Laat een beschadigd snoer bij een geautoriseerd Triton service center repareren. Dit geldt tevens voor gebruikte verlengsnoeren

Schoonmaak

WAARSCHUWING: Bij het schoonmaken van de eenheid is het dragen van de juiste beschermende uitrusting, waaronder een veiligheidsbril en handschoenen, aanbevolen

- Houd uw machine te allen tijde schoon. Vull en stof doen de interne onderdelen sneller slijten, wat de levensduur van de machine aanzienlijk vermindert
- Maak de behuizing van de machine met een zachte borstel of droge doek schoon
- Maak de plastic onderdelen niet met bijtende middelen schoon. Maak gebruik van een licht schoonmaakmiddel en een vochtige doek
- De machine mag niet in contact komen met water
- Zorg ervoor dat de machine volledig droog is voordat u deze gebruikt
- Gebruik wanneer mogelijk zuivere, droge perslucht om door de luchtgaten te blazen

Smeren

- Breng regelmatig een geschikt smeermiddel tussen roller en het blad aan

Koolstofborstels

- Na verloop van tijd zullen de koolstofborstels in de motor verslijten.
 - Bij overmatige slijtage van de borstels verliest de motor mogelijk vermogen, start het niet meer, en/ of produceert het overmatig vonken.
1. Voor het verwijderen van de koolstofborstels verwijdt u de schroeven (15) en neemt u de afdekplaat voorzichtig van de achterzijde van de machine
 2. Verwijder de kleine schroef (Afbeelding G) en neem het frame wat de koolstofborstels vast houdt 12 mm omhoog en ontkoppel de elektrische aansluiting voorzichtig (Afbeelding H)
 3. Druk de aansluiting met koperen draad door het frame terwijl u de versleten koolstofborstels verwijdt
 4. Sluit de koppeling en het draad van de nieuwe koolstofborstels door het frame voordat u de koolstofborstels in het frame plaatst
 5. Sluit de elektrische aansluiting aan (Afbeelding H)
 6. Pas het frame voorzichtig terug op de machine en draai de schroef vast
 7. Controleer of het frame juist bevestigd is
 8. Herhaal stappen 2 – 7 voor de andere koolstofborstel
 9. Bevestig de voet huls (5) en toegangsschroef. Zorg er hierbij voor dat het stroomsnoer niet wordt gegrepen en dat de het snelheidswiel (14) juist uitgelijnd is
 10. Verwijder bevestigde bladen van de machine en sluit de machine op de netstroom aan
 11. Schakel de machine op lage snelheid in en verhoog de snelheid geleidelijk
- Als alternatief laat u uw machine bij een Triton service center onderhouden
- BELANGRIJK:** De koolstofborstels dienen in paren vervangen te worden

Opberging

- Berg de machine op een droge en veilige plek, buiten het bereik van kinderen op.

Verwijdering

Bij de verwijdering van elektrische machines neemt u de nationale voorschriften in acht.

- Elektrische en elektronische apparaten mogen niet met uw huishoudelijk afval worden weggegooid
- Neem contact op met uw gemeente voor informatie betreffende de verwijdering van elektrisch gereedschap

Garantie

Om uw garantie te registreren, gaat u naar onze website op www.tritontools.com* en voert u uw gegevens in.

Uw gegevens worden opgeslagen in onze mailinglist (tenzij u anders aangeeft) voor informatie over nieuwe producten. De ingevulde gegevens worden aan geen enkele andere partij beschikbaar gesteld.

Aankoopgegevens

Datum van aankoop: ___/___/___

Model: XXXXX

Bewaar uw aankoopbon als aankoopbewijs rt pr

Triton Precision Power Tools garandeert de koper van dit product dat indien een

onderdeel defect is vanwege fouten in materiaal of uitvoering binnen 3 jaar na de datum

van de oorspronkelijke aankoop,

Triton het defecte onderdeel gratis repareert of, naar eigen inzicht, vervangt.

Deze garantie heeft geen betrekking op commercieel gebruik en strekt zich niet uit tot normale slijtage of schade ten gevolge van een ongeluk, verkeerd gebruik of misbruik.

* Registreer online binnen 30 dagen.

Algemene voorwaarden van toepassing.

EG-verklaring van overeenstemming

De ondertekende: Mr. Darrell Morris

Gemachtigd door: Triton Tools

Verklaart dat

Deze verklaring wordt verstrekt onder de volledige verantwoordelijkheid van de fabrikant.

Het hierboven beschreven voorwerp is conform de desbetreffende communautaire harmonisatiewetgeving

Identificatienummer: XXXXX

Beschrijving: XXXXX

Voldoet aan de volgende richtlijnen:

- Machinerichtlijn 2006/42/EG
- Richtlijn laagspanning 2014/35/EU
- Elektromagnetische verenigbaarheid 2014/30/EU
- RoHS-richtlijn 2002/95/EG
- Richtlijn 2000/14/EG Geluid door mobiele werktuigen
- EN60745-1
- EN60745-2-1
- EN60745-2-2
- EN60335-1

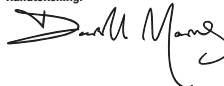
- EN60335-2-29

Keuringsinstantie: TÜV Rheinland Co., Ltd

De technische documentatie wordt bijgehouden door: Triton Tools

Datum: XX-XX-XXXX

Handtekening:



Darrell Morris

Algemeen directeur

Naam en adres van fabrikant:

Powerbox International Limited, handelsregister nummer 06897059, Powerbox Int. Ltd.
Somerset, BA22 8HZ, Verenigd Koninkrijk

Traduction des instructions originales

Introduction

Nous vous remercions d'avoir choisi cet équipement Triton. Ces instructions contiennent les informations nécessaires pour vous en garantir un fonctionnement efficace et en toute sécurité. Veuillez lire attentivement ce manuel pour vous assurer de tirer pleinement avantage des caractéristiques uniques de votre nouvel équipement.

Gardez ce manuel à portée de main et assurez-vous que tous les utilisateurs l'aient lu et bien compris avant toute utilisation. Conservez-le pour toute référence ultérieure.

Description des symboles

La plaque signalétique figurant sur votre outil peut présenter des symboles. Ces symboles constituent des informations importantes relatives au produit ou des instructions concernant son utilisation.



Port de protection auditive
Port de lunettes de sécurité
Port de masque respiratoire
Port de casque



Port de gants



Lire le manuel d'instructions



Attention !



Emission de fumées ou de gaz toxiques !



NE PAS utiliser sous la pluie ou dans un environnement humide !



Débranchez toujours l'appareil avant d'effectuer un réglage, de changer d'accessoire, de le nettoyer, de l'entretenir, ou lorsqu'il n'est plus utilisé !



ATTENTION : les pièces mobiles peuvent occasionner écrasements et coupures.



Construction de classe II (Double isolation pour une protection supplémentaire)



Protection de l'environnement
Les appareils électriques usagés ne doivent pas être jetés avec les ordures ménagères. Veuillez les recycler dans les centres prévus à cet effet. Pour de plus amples informations, veuillez contacter votre municipalité ou point de vente.



Conforme à la réglementation et aux normes de sécurité pertinentes.

Abréviations pour les termes techniques

V	Volts	Hz	Hertz
~, AC	Courant alternatif	==>, DC	Courant continu
A, mA	Ampère, Milliampère	W, kW	Watt, kilowatt
n0	Vitesse à vide	/min or min⁻¹	(opérations) par minute
n	Vitesse nominale	rpm	Tours par minute
opm	battements/ oscillations par minute	dB(A)	Puissance acoustique en décibel (A pondéré)
spm	Coups par minute	m/s²	Mètres par seconde au carré (magnitude des vibrations)
°	Degrés		
Ø	Diamètre		

Caractéristiques techniques

Tension :	230 V~, 50 Hz
Puissance :	750 W
Vitesse à vide :	800 – 3 000 tr/min
Longueur de course :	26 mm
Fixation de la lame :	Emmanchement T à baïonnette
Lames fournies :	Lame à bois : bas profil, coupes incurvées dans le bois (bois naturels et composés) Lame à bois : coupes droites rapides dans le bois (bois naturels et composés) et le plastique Lame à métal : coupe de métaux ferreux et non-ferreux
Mouvement pendulaire :	3 positions
Plage d'angle de coupe :	0°, 15°, 30° et 45° (gauche et droite)
Profondeur de coupe :	
Bois :	110 mm
Aluminium :	25 mm
Acier :	10 mm
Dimensions (L x l x H):	340 x 85 x 215 mm
Poids :	3,5 kg
Du fait de l'évolution constante de nos produits, les caractéristiques des produits peuvent changer sans notification préalable.	
Informations relatives au niveau d'intensité sonore et vibratoire	
Pression acoustique L_{pk} :	80,9 dB(A)
Puissance acoustique L_{wa} :	91,9 dB(A)
Incertitude K :	3dB
Vibration pondérée :	
Coupe de bois :	13,2 m/s ²
Coupe de tôle :	13,8 m/s ²
Incertitude :	1,5 m/s ²
L'intensité sonore peut dépasser 85 dB(A) et il est nécessaire que l'utilisateur porte des protections auditives.	

AVERTISSEMENT : Portez toujours des protections sonores lorsque le niveau d'intensité est supérieur à 85 dB(A) et limitez le temps d'exposition si nécessaire. Si l'intensité sonore devient inconfortable, même avec les protections, arrêtez immédiatement d'utiliser l'appareil, vérifiez que les protections sont bien en place et adaptés avec le niveau sonore produit par l'appareil.

AVERTISSEMENT : L'exposition de l'utilisateur aux vibrations peut engendrer une perte du toucher, des engourdissements, des picotements et ainsi réduire la capacité de compréhension. De longues expositions peuvent également provoquer ces symptômes de façon chronique. Si nécessaire, limitez le temps d'exposition aux vibrations et portez des gants anti-vibrations. N'utilisez pas cet appareil lorsque la température de vos mains est en dessous des températures normales, car l'effet vibratoire en est accentué. Référez-vous au cas de figures des caractéristiques relatives aux vibrations pour calculer le temps et fréquence d'utilisation de l'appareil.

Les niveaux sonores et vibratoires des caractéristiques techniques sont déterminés en fonction de la norme EN60745 ou autres normes internationales. Ces données correspondent à un usage normale de l'appareil, et ce dans des conditions de travail normales. Un appareil mal entretenu, mal assemblé ou mal utilisé peut augmenter les niveaux sonores et vibratoires. Pour plus d'informations sur la directive des émissions sonores et vibratoires, visitez le site. www.osha.europa.eu

Consignes de sécurité générales relatives à l'utilisation d'appareils électriques

AVERTISSEMENT : Veuillez lire toutes les consignes de sécurité et toutes les instructions. Le non-respect des instructions et consignes de sécurité peut entraîner un risque de décharge électrique, d'incendie et/ou se traduire par des blessures graves.

AVERTISSEMENT : Cet appareil n'est pas prévu pour être utilisé par des personnes (enfants y compris) ayant des capacités mentales ou physiques réduites ou manquant d'expérience à moins qu'ils soient supervisés ou qu'une personne responsable de leur sécurité leur donne des instructions concernant l'utilisation de cet appareil.

Veuillez conserver ces instructions et consignes de sécurité pour référence ultérieure.

L'expression « appareil/outil électrique » employée dans les présentes consignes recouvre aussi bien les appareils filaires à brancher sur secteur que les appareils sans fils fonctionnant avec batterie.

1. Sécurité sur la zone de travail

a. **Maintenir un zone de travail propre et bien éclairée.** Des zones encombrées et mal éclairées sont sources d'accidents.

b. **Ne pas utiliser d'outils électriques dans des environnements explosifs, tels qu'à proximité de liquides, de gaz ou de poussières inflammables.** Les outils électriques produisent des étincelles susceptibles d'enflammer la poussière ou les vapeurs présentes.

c. **Éloigner les enfants et toute personne se trouvant à proximité pendant l'utilisation d'un outil électrique.** Ceux-ci pourraient vous distraire et vous faire perdre la maîtrise de l'appareil.

2. Sécurité électrique

a. **Les prises des outils électriques doivent correspondre aux prises du secteur. Ne modifiez jamais la prise en aucune façon. N'utilisez jamais d'adaptateur avec les outils électriques mis à la terre.** Des prises non modifiées, adaptées aux boîtiers de prise de courant, réduiraient les risques de décharge électrique.

b. **Éviter le contact corporel avec les surfaces mises à la terre telles que tuyaux, radiateurs, cuisinières et réfrigérateurs.** Le risque de décharge électrique est plus important si votre corps est mis à la terre.

c. **Ne pas exposer votre outil électrique à la pluie ou à l'humidité.** L'infiltration d'eau dans un outil électrique augmentera le risque de décharge électrique.

d. **Ne pas maltraiter le cordon électrique.** N'utilisez jamais le cordon électrique pour porter, tirer ou débrancher l'outil électrique. Conservez le cordon électrique à l'écart de la chaleur, de l'essence, de bords tranchants ou de pièces en mouvement. Un cordon électrique endommagé ou entortillé accroît le risque de décharge électrique.

e. **Au cas où l'outil électroportatif serait utilisé à l'extérieur, servez-vous d'une rallonge appropriée à une utilisation en extérieur.** Cela réduit le risque de décharge électrique.

f. **Si une utilisation de l'outil dans un environnement humide ne peut être évitée, utilisez une alimentation protégée par un disjoncteur différentiel.** L'utilisation d'un disjoncteur différentiel réduit le risque de décharge électrique.

g. **Lorsqu'utilisé en Australie ou en Nouvelle Zélande, il est recommandé que cet appareil soit toujours alimenté via un disjoncteur différentiel ayant un courant résiduel de 30 mA ou moins.**

3. Sécurité des personnes

a. **Restez vigilant et faire preuve de sens lors de la manipulation de l'outil. Ne pas utiliser d'outil électrique en état de fatigue ou sous l'influence de drogues, d'alcool ou de médicaments.** Un moment d'inattention pendant l'utilisation d'un outil électrique peut se traduire par des blessures graves.

b. **Porter des équipements de protection. Porter toujours des lunettes de protection.** Le port d'équipements de protection tels que des masques à poussières, des chaussures de sécurité antidérapantes, un casque de sécurité ou des protections antibruit, selon le travail à effectuer, réduira le risque de blessures aux personnes.

c. **Éviter tout démarrage accidentel. S'assurer que l'interrupteur marche-arrêt soit en position d'arrêt (Off) avant de brancher l'outil sur l'alimentation secteur.** Porter un outil électrique tout en maintenant le doigt posé sur l'interrupteur ou brancher un outil électrique dont l'interrupteur est sur la position de marche (On) est source d'accidents.

d. **Enlever toute clé ou tout instrument de réglage avant de mettre l'outil électrique en marche.** Une clé ou un instrument de réglage laissé fixé à un élément en rotation de l'outil électrique peut entraîner des blessures physiques.

e. **Ne pas essayer d'atteindre une zone hors de portée.** Se tenir toujours en position stable et conserver l'équilibre. Cela permet de mieux contrôler l'outil électrique dans des situations inattendues.

f. **Porter des vêtements appropriés. Ne pas porter de vêtements amples ou des bijoux pendents.** Les vêtements amples, les bijoux pendants ou les cheveux longs peuvent être happés par les pièces en mouvement.

g. **Si l'outil est pourvu de dispositifs destinés au raccord d'équipements d'extraction et de récupération de la poussière/sciure, s'assurer qu'ils soient bien fixés et utilisés correctement.** L'utilisation de ces dispositifs peut réduire les risques dus à la poussière.

4. Utilisation et entretien des outils électriques

a. **Ne pas surcharger l'outil électrique. Utiliser l'outil électrique approprié au travail à effectuer.** Un outil électrique adapté et employé au rythme pour lequel il a été conçu permettra de réaliser un travail de meilleure qualité et dans de meilleures conditions de sécurité.

b. **Ne pas utiliser un outil électrique dont l'interrupteur marche-arrêt est hors service.** Tout outil électrique dont la commande ne s'effectue plus par l'interrupteur marche-arrêt est dangereux et doit être réparé.

c. **Débrancher l'outil électrique avant d'effectuer tout réglage, changement d'accessoire ou avant de le ranger.** De telles mesures préventives réduiraient les risques de démarrage accidentel.

d. **Ranger les outils électriques inutilisés hors de portée des enfants et ne pas permettre l'utilisation de ces outils aux personnes novices ou n'ayant pas connaissance de ces instructions.** Les outils électriques sont dangereux dans les mains d'utilisateurs inexpérimentés.

e. **Veiller à l'entretien des outils électriques. Vérifier que les éléments rotatifs soient bien alignés et non grippés. S'assurer de l'absence de pièces cassées ou endommagées susceptibles de nuire au bon fonctionnement de l'outil.** Si l'outil électrique est endommagé, le faire réparer avant toute utilisation. De nombreux accidents sont causés par l'utilisation d'outils électriques mal entretenus.

f. **Garder les outils de coupe affûtés et propres.** Des outils de coupe bien entretenus, aux tranchants bien affûtés, sont moins susceptibles de se gripper et sont plus faciles à contrôler.

g. **Utiliser l'outil électrique, les accessoires et les outils à monter, etc., conformément à ces instructions et selon l'utilisation prévue pour le type d'outil donné, en tenant compte des conditions de travail et de la tâche à réaliser.** Toute utilisation de cet outil électrique autre que celle pour laquelle il a été conçu peut entraîner des situations à risque et entraînerait une annulation de sa garantie.

5. Entretien

a. **Ne faire réparer l'outil électrique que par un réparateur qualifié utilisant uniquement des pièces de rechange identiques.** Cela permettra d'assurer la sécurité continue de cet outil électrique.

Consignes de sécurité relatives aux scies sauteuses

ATTENTION : Avant de brancher l'outil sur l'alimentation secteur, vérifiez que la tension d'alimentation est la même que celle indiquée sur la plaque signalétique de l'outil.

Une alimentation électrique dont la tension est supérieure à celle indiquée sur l'outil risque d'entraîner des blessures chez l'utilisateur et des dommages sur l'outil. En cas de doute, ne branchez pas l'outil. L'utilisation d'une source de courant dont la tension est inférieure à celle indiquée sur l'outil peut endommager le moteur.

• **Tenez l'outil par ses surfaces de préhension isolées lorsqu'il y a un risque que l'accessoire de coupe rentre en contact avec des fils électriques cachés ou son propre câble d'alimentation.** Lorsqu'un accessoire de coupe rentre en contact avec un fil sous tension les parties métalliques de l'outil peuvent être mises sous tension et exposer l'utilisateur à un choc électrique.

• **Ne mettez pas les mains sous la pièce à travailler.** Sous la pièce, la garde ne peut pas vous protéger de la lame.

• **Ne maintenez jamais la pièce en la tenant entre vos jambes ou dans vos mains. Maintenez la pièce sur une surface stable.** Il est important de supporter l'ouvrage correctement pour éviter les blessures, éviter la torsion de la lame et la perte de contrôle.

Pour les consignes de sécurité portant sur les équipements de protection et sur les dangers sanitaires généraux causés par les appareils électroportatifs, veuillez-vous référer à la section traitant des consignes générales de sécurité.

• Assurez personnellement d'âge de moins de 18 ans ne doit utiliser la scie sauteuse

• Accueillez-vous d'avoir un éclairage suffisant

• Chiffons, vêtements, cordes, ficelle etc. ne doivent pas être sur la surface de travail.

• La zone de travail ne doit pas présenter de risque de trébuchement.

• Faites une inspection de la pièce de travail et vérifiez qu'il n'y a pas d'objets enfoncés avant de commencer à travailler.

• Fixez ou stabilisez la pièce de travail pour éviter les vibrations et assurer une coupe de qualité

• Référez-vous aux caractéristiques techniques de ce manuel pour utiliser la lame de scie adéquate.

- Utilisez uniquement des lames de scie en bon état.
- Pour éviter les risques de chocs électriques, maintenez toujours la scie par sa poignée isolante.
- Si vous êtes interrompu au cours de votre travail, terminez ce que vous êtes en train de faire puis éteignez l'appareil avant de relever la tête.
- Gardez vos mains toujours éloignées du dessous de la pièce de travail.
- Assurez-vous d'utiliser une lame adéquate avec le matériau à couper. Assurez-vous que tous les supports et les câbles d'alimentation soient bien dégagés de la zone de coupe.
- S'il y a des gardes de protections, assurez-vous qu'ils soient bien en place.
- N'exercez pas de pression sur l'appareil. Laissez la lame couper à son rythme. Cela procurera un meilleur résultat et augmentera la durée de vie de l'appareil.
- Avant de commencer à couper, vérifiez bien qu'il y a un espace suffisant en dessous de la pièce de travail pour la course de la lame.
- Gardez toujours la semelle de scie contre la pièce de travail.
- N'essayez pas de couper des matériaux dont l'épaisseur est plus grande que celles indiquées dans les caractéristiques techniques.
- Ne forcez pas sur la lame pour la plier lors d'une coupe
- Si une coupe s'arrête avant un bord, laissez la lame s'arrêter complètement avant de retirer la scie de la pièce de travail.
- N'utilisez pas vos mains pour enlever la poussière, copeaux et autres débris près de la lame.
- Ne passez jamais la main devant la lame pour retirer des chutes ou autre.
- Les lames chauffent durant l'utilisation de la scie. Laissez-les refroidir avant de les manipuler.
- Si une lame se bloque, éteignez et débranchez l'appareil avant de décoinçer la lame.
- Vérifiez régulièrement que les vis, boulons et autres fixations soient toujours bien serrées.

Consignes de sécurité relatives aux outils de coupe

AVERTISSEMENT : Avant de brancher l'outil sur l'alimentation secteur, vérifiez bien que la tension d'alimentation soit la même que celle indiquée sur la plaque signalétique de l'outil. Une alimentation électrique dont la tension est supérieure à celle indiquée sur l'outil risque d'entraîner des blessures chez l'utilisateur et des dommages sur l'outil. En cas de doute, ne branchez pas l'outil. L'utilisation d'une source de courant dont la tension est inférieure à celle indiquée sur l'outil peut endommager le moteur.

Utilisation du bon outil de coupe

- Assurez-vous que votre outil de coupe convient au travail entrepris. Référez-vous toujours à la notice d'informations, ne présumez pas qu'un outil est approprié à la tâche sans faire de vérification préalable.

Protection oculaire

- Portez toujours des protections oculaires appropriées lors de l'utilisation d'outils de coupe.
- Les lunettes ordinaires n'ont pas pour fonction de fournir une protection efficace à l'utilisation de ce produit. Des verres normaux ne résistent pas aux impacts et pourraient voler en éclats.

Protection auditive

- Portez toujours des protections auditives appropriées lorsque le niveau sonore dépasse 85 dB.

Protection respiratoire

- Assurez-vous de porter, ainsi que toute personne à proximité, un masque anti-poussière approprié.

Protection des mains

- Ne placez pas vos mains près des accessoires de coupe. Utilisez un bâton poussoir adapté pour les petites pièces à travailler avec l'outil électroportatif adapté.

Tenez compte des personnes autour de vous

- Il relève de l'utilisateur de s'assurer que les personnes se trouvant à proximité de la zone de travail ne soient pas exposées à des niveaux sonores dangereux ou à des concentrations de poussières dangereuses et sont pourvues de dispositifs de protection appropriés.

Objets cachés

- Avant d'effectuer une coupe, vérifiez qu'il ne se trouve aucun corps étranger dans la pièce de travail.
- Ne coupez aucun matériau comportant des corps étrangers à moins d'être certain que l'accessoire installé sur votre appareil convient à ce travail.
- Des fils électriques et des tuyaux peuvent être dissimulés dans les murs, des durites de carburant peuvent être dissimulées dans les panneaux de carrosserie et l'herbe haute peut dissimuler des pierres et du verre. Vérifiez toujours minutieusement votre zone de travail avant de commencer la coupe.

Attention aux projections de débris

- Dans certains cas, des débris peuvent être projetés à grande vitesse de l'outil de coupe. Assurez-vous qu'il ne se trouve aucune autre personne à proximité de la zone de travail. Si la présence d'autres personnes à proximité de la zone de travail est nécessaire, l'utilisateur a la responsabilité de s'assurer qu'elles soient munies d'équipements de protection appropriés.

Installation d'accessoires de coupe

- Assurez-vous que les accessoires de coupe soient correctement et solidement installés avant utilisation et que toute clé ou tout outil de réglage ait été retiré.
- Utilisez uniquement des accessoires de coupe recommandés pour votre appareil.
- N'effectuez aucune modification sur l'accessoire.
- Assurez-vous que les lames sont aiguisées, en bon état et correctement installées.
- N'essayez pas d'affûter les lames n'étant pas prévues pour être affûtées, cela peut inclure les lames trempées, ou les lames en alliage trempé, contenant en général du tungstène
- Les lames pouvant être réaffûtées doivent être réaffûtées en suivant les instructions du fabricant de la lame. Cela peut inclure un nombre limité de sessions d'affûtage de la lame.
- Les lames aiguisées devraient être inspectées de plus près avant de les utiliser et remplacer immédiatement si vous avez un doute à propos de son état et sa compatibilité avec la tâche.
- Si la lame rentre en contact avec un objet caché avec lequel elle n'est pas compatible pendant l'utilisation, la lame devrait être remplacée immédiatement.

Sens de coupe

- Faites avancer la pièce de travail vers la lame ou la fraise, et ce dans le sens inverse au sens de la lame ou de la fraise.

Attention à la chaleur

- Sachez que les outils de coupe ainsi que les pièces de travail peuvent chauffer pendant l'utilisation de l'appareil. Ne tentez pas de changer d'accessoire tant que l'appareil n'a pas complètement refroidi.

Contrôle poussières/copeaux

- Ne laissez pas poussières ou copeaux de métal s'accumuler. La sciure constitue un risque d'entraîner et certains copeaux métalliques sont explosifs.
- Faites particulièrement attention lors de la coupe du bois ou du métal à l'aide de machines électriques. Les étincelles provoquées par la coupe du métal sont une cause courante d'incendie des poussières de bois.
- Lorsque cela est possible, utilisez un système d'extraction de la poussière pour assurer un environnement de travail plus sûr.

Descriptif du produit

1. Poignée auxiliaire
2. Poignée principale
3. Interrupteur marche/arrêt
4. Semelle
5. Protection de la semelle
6. Sélecteur de mode
7. Guide de la lame
8. Fente pour le guide parallèle
9. Filetages pour le bouton de verrouillage du guide parallèle
10. Barre pour la protection de lame
11. Dispositif de dégagement de la lame
12. Dispositif de serrage de la lame
13. Trous d'aération du moteur
14. Variateur de vitesses
15. Vis d'accès aux balais de charbon
16. Verrouillage de l'inclinaison d'angle de la semelle

Accessoires (non illustrés) :

- TJSBW10 : Lame à couper le bois – Coupes incurvées
- TJSBW06 : Lame à couper le bois et le plastique
- TJSBM21 : Lame à couper le métal
- Adaptateur pour dispositif d'extraction des poussières
- Guide parallèle
- Boutons de verrouillage du guide parallèle (x 2)
- Adaptateur pour rail de guidage
- Sacoche souple

Usage conforme

Scie sauteuse avec action pendulaire pour réaliser des tâches d'intensité moyenne de découpes aussi bien droites qu'incurvées sur bois, plastique et feuilles de métal minces (en utilisant les lames appropriées). Compatible avec le système de rails de guidage Triton pour réaliser des coupes internes courtes / coupes borgnes ainsi que des coupes avec bordures rectilignes.

Déballage

- Déballer le produit avec soin. Veillez à retirer tout le matériel d'emballage et familiarisez-vous avec toutes les caractéristiques du produit.
- Si des pièces sont endommagées ou manquantes, faites-les réparer ou remplacer avant d'utiliser l'appareil.

Avant utilisation

⚠ ATTENTION : Assurez-vous que l'outil est éteint et débranché de la source d'alimentation avant de procéder à la pose ou au retrait d'un accessoire, ou de réaliser toute opération de réglage, de nettoyage ou d'entretien.

Guide de la lame

- Le guide de la lame (7) est monté sur ressort. Suivant la position du sélecteur de mode (6), le guide reste stationnaire (mouvement non pendulaire) ou oscille en avant et en arrière, permettant à la lame de couper avec un mouvement pendulaire.

Réglage du mouvement pendulaire

Le mode pendulaire permet une coupe plus efficace du matériau en créant une coupe légèrement incurvée due au mouvement oscillatoire. Cela vous garantit d'obtenir une meilleure coupe dans des pièces d'ouvrage plus épaisses et soumet la lame et le moteur à moins de contraintes durant l'opération dans la mesure où régulièrement durant la coupe, elle permet de créer du jeu entre la lame et la pièce d'ouvrage.

Le sélecteur de mode (6) dispose de 4 positions :

- La première position "0" sélectionne une coupe normale sans mouvement pendulaire
- Les positions 1, 2 et 3 procurent un mouvement pendulaire, c'est-à-dire un léger balancement de la lame en avant et en arrière pendant la coupe. Ce mouvement pendulaire augmente l'efficacité de la coupe.
- La position 1 donne un mouvement pendulaire minimum, et la position 3 un mouvement pendulaire maximum
- Faites un essai sur un morceau de matériau afin de déterminer le réglage optimal du mouvement pendulaire pour le matériau de la pièce de travail.

IMPORTANT : le réglage du mouvement pendulaire ne doit pas être réalisé une fois que la scie sauteuse est en cours d'utilisation mais toujours avant.

Réglage de la semelle pour une coupe avec angle de biseau

La semelle (4) est pourvue de trois crans qui déterminent l'inclinaison de l'angle (15°, 30° et 45°) aussi bien à gauche qu'à droite (Image E) :

1. Pour régler l'angle de coupe, tournez d'abord la scie sauteuse à l'envers et relâchez le verrouillage de l'inclinaison d'angle de la semelle (16) en tirant sur le levier (Image D).
2. Ajustez la semelle à l'inclinaison voulue (Image F).
3. Resserrez le verrouillage de l'inclinaison d'angle de la semelle.

Remarque : Pour un travail précis, il est nécessaire de faire un essai de coupe, de mesurer le travail et de régler l'angle jusqu'à l'obtention du réglage exact.

Remarque : Si vous souhaitez définir un angle différent de ceux prévus avec les crans dont la semelle est pourvue, tout sera basé sur le rapport de friction/tension et le risque que la semelle bouge durant l'opération est très élevé. Il pourrait s'avérer nécessaire de procéder à un ajustement d'une extrême précaution (Image I) du boulon de fixation de la semelle.

Adaptateur pour dispositif d'extraction des poussières

Il est vivement recommandé d'utiliser cet appareil avec un dispositif d'extraction des poussières afin de conserver un environnement de travail plus propre et plus sain. Cette recommandation est d'autant plus importante à suivre lorsque la toxicité des pièces d'ouvrage n'est pas identifiée, par exemple, lorsque vous intervenez sur des surfaces recouvertes de revêtements anciens, y compris de peintures ou de traitements du bois dont vous ignorez la composition.

- L'adaptateur d'extraction des poussières (Image N) s'encastre à l'arrière de la semelle et permet de raccorder un dispositif d'extraction ou un aspirateur ménager afin d'aspirer la poussière pendant l'utilisation de cet appareil.

⚠ AVERTISSEMENT : Il existe un risque que les copeaux de métal chauds produits lors de la coupe de feuilles de métal enflamment des poussières de bois résiduelles encore présentes dans le sac ou récipient à poussières collectées lors d'utilisations précédentes. Dans ce cas particulier, il n'est pas recommandé d'utiliser un dispositif d'extraction des poussières lorsque vous coupez du métal à moins d'être en mesure d'éliminer tout risque.

Changer de lame

1. Tournez l'appareil à l'envers pour pouvoir accéder à la lame.
2. Tirez sur le dispositif de dégagement de la lame (11) puis, enlevez et remplacez la lame (Image C).
3. Laissez ensuite le dispositif de dégagement de la lame revenir doucement dans sa position initiale.
4. Vérifiez que la lame soit bien installée et alignée avec le guide de la lame (7).

Remarque : s'il est difficile d'enlever la lame, tapez légèrement sur le bout de la lame avec un maillet en bois ou un objet similaire. Cela libérera la lame qui pourra alors être enlevée comme indiqué auparavant.

Installer une protection de semelle

La scie sauteuse Triton est fournie avec une protection de semelle (5) basique qui permet d'éviter de rayer ou d'abîmer la plupart des surfaces. Contactez votre revendeur afin de connaître les autres types de protections disponibles plus spécifiques pour d'autres surfaces.

- Pour retirer la protection de semelle, commencez par l'arrière de la semelle (4) puis passez à la partie avant (Image J).
- Pour fixer une nouvelle protection de semelle, vous devez cette fois commencer par l'encastrement à l'avant puis fixer le reste et remonter vers l'arrière en la bloquant au son d'un clic.

Installer l'adaptateur pour rail de guidage

L'adaptateur pour rail de guidage vous offre la possibilité de bénéficier d'un guide parallèle précis et facile d'utilisation à l'aide du système de rails de guidage Triton pour réaliser des coupes internes courtes / coupes borgnes ainsi que des coupes avec bordures rectilignes.

1. L'adaptateur pour rail de guidage s'encastre au-dessus de la semelle (4) elle-même, avant que celle-ci soit pourvue de sa protection (5).
2. Fixez l'avant de la semelle ainsi sans sa protection à l'adaptateur pour rail de guidage puis encastrez l'arrière de la semelle.
3. L'adaptateur pour rail de guidage se fixe au-dessus du système de rails de guidage Triton comme illustré (Image P) afin de vous permettre de réaliser des coupes droites très précises.

Installer le guide parallèle

Le guide parallèle doit être positionné contre le bord de la pièce d'ouvrage ou contre tout autre bord parallèle afin d'être en mesure de garantir une coupe droite précise de la pièce d'ouvrage.

1. Installez les deux pommeaux du guide parallèle dans les filetages pour le bouton de verrouillage du guide parallèle (9) mais ne les resserrez à ce stade.
2. Introduisez le guide parallèle dans les fentes spécialement prévues (8) du bon côté en fonction de la coupe à réaliser en vous assurant que la plaque latérale du guide parallèle soit tournée vers le bas (Image O).
3. Réglez à la longueur désirée en vous aidant de la règle présente sur le guide ou de tout autre instrument de mesure.
4. Resserrez bien les pommeaux pour fixer le guide parallèle en position, prêt à l'emploi.

Mode d'emploi

⚠ AVERTISSEMENT : Portez TOUJOURS des lunettes de protection, des protections auditives, des gants adaptés ainsi qu'un masque respiratoire lorsque vous travaillez avec cet outil.

Réglage de la vitesse de coupe

La vitesse de l'outil peut être réglée aussi bien avant utilisation que pendant. Pour effectuer ce réglage, utilisez le variateur de vitesses (14) situé à l'arrière de l'appareil. Le préréglage est conseillé car il permet à l'opérateur de se concentrer sur la prise en main de l'appareil par les deux poignées, l'auxiliaire (1) et la principale (2) en toute sécurité. La vitesse de la lame peut être ajustée en fonction du matériau à couper. Cela permet d'augmenter la performance de coupe et d'éviter une usure excessive de la lame :

- Utilisez le variateur de vitesses (14) pour ajuster la vitesse de la lame.

Mise en marche/arrêt de la scie sauteuse

1. Branchez la prise de la scie sauteuse à l'alimentation secteur.
2. Mettez l'outil en marche en poussant le bouton de marche/arrêt (3) en avant et en appuyant sur le devant pour le bloquer en position (Images A et B).
3. Appuyez sur l'arrière du bouton de marche/arrêt afin qu'il se mette automatiquement en position d'arrêt grâce à son système de ressort.

Réaliser une coupe

ATTENTION : Veillez à ce que le dispositif de dégagement de la lame (11), la fenêtre et la barre pour la protection de lame (10) soient en bon état et correctement placés pour éviter que les doigts ne touchent les dents de la lame en cours d'utilisation.

1. Positionnez la partie avant de la semelle (4) sur le bord de la pièce à travailler et démarrez la scie.

- Attendez que la lame atteigne sa vitesse maximale.
- Faites avancer lentement la scie sauteuse en la guidant avec les deux mains et en posant la semelle à plat sur la surface de travail. Ne forcez pas sur la scie sauteuse.
- N'appliquez que la pression nécessaire sur l'outil pour que la lame continue à couper. Ne forcez pas l'outil à couper, mais laissez la lame et la scie faire le travail.

Coupe borgne et arrondie

- Lorsque vous commencez une coupe à partir du centre d'une pièce de travail, percez un trou d'un diamètre de 12 mm du côté de la pièce à couper qui sera jetée pour vous assurer qu'il y ait un espace suffisant pour la lame (Image L).

- Lorsque vous coupez des courbes serrées, réduisez la vitesse de la scie sauteuse.

ATTENTION : ne faites pas avancer la scie sauteuse le long de sa coupe tant que la lame n'a pas complètement pénétré dans le matériau et que la semelle n'y repose pas.

Utiliser le guide parallèle

- Le guide parallèle sert à guider la scie sauteuse le long d'une ligne droite qui peut être un bord de la pièce de travail ou un morceau de bois droit fixé sur la pièce de travail.
- Le guide est particulièrement pratique pour réaliser facilement et rapidement des coupes parallèles dans la pièce d'ouvrage.


Coupe de métal

- Il faut utiliser une huile de coupe/de refroidissement convenable pour réaliser une coupe de métaux.
- Appliquez régulièrement du lubrifiant sur la lame ou sur la pièce d'ouvrage pendant la coupe afin de réduire l'usure de la lame.

Accessoires

- Divers accessoires sont disponibles chez votre revendeur Triton pour optimiser les fonctionnalités de votre scie sauteuse dont des lames adaptées à différents types de matériaux et de coupes. Des pièces de rechange sont également disponibles auprès votre revendeur Triton ainsi que sur www.toolsparonline.com

Entretien

 **Avertissement** : Pensez TOUJOURS à débrancher l'appareil avant procéder à toute opération d'inspection, d'entretien ou de nettoyage.

Inspection générale

- Vérifiez régulièrement que toutes les vis de fixations soient toujours bien serrées. Elles peuvent devenir lâches au cours du temps à cause des vibrations.
- Vérifiez le câble d'alimentation de l'appareil avant chaque utilisation, à la recherche de tout signe de dommage ou d'usure. Toute réparation doit être réalisée par un centre agréé Triton. Ceci s'applique également pour les rallonges utilisées avec cet appareil.

Nettoyage

ATTENTION : Portez TOUJOURS un équipement de protection avec des lunettes de protection ainsi que des gants adaptés lorsque vous nettoyez cet outil.

- Gardez l'appareil propre en permanence. La poussière et la saleté provoquent l'usure rapide des éléments internes et réduisent la durée de vie de l'appareil.
- Nettoyez le boîtier de la machine à l'aide d'une brosse souple ou d'un chiffon sec.
- N'utilisez jamais d'agents caustiques sur les parties plastiques. Si un nettoyage sec ne suffit pas, il est recommandé d'utiliser un détergent doux sur un chiffon humide.
- L'appareil ne doit jamais être mis en contact avec de l'eau.
- Assurez-vous que l'appareil soit complètement sec avant de l'utiliser.
- Si vous en avez la possibilité, nettoyez les orifices de ventilation à l'air comprimé propre et sec

Lubrification

- Lubrifiez régulièrement les parties mobiles avec un vaporisateur de lubrifiant approprié.

Remplacement des balais de charbon

- Avec le temps, les balais de charbon du moteur s'usent. Ce processus d'usure est accéléré si la machine est surchargée ou utilisée dans des environnements poussiéreux
- Si les balais sont excessivement usés, le rendement du moteur peut diminuer, la machine peut ne pas démarrer ou une quantité anormale d'étincelles peut être observée.

- Pour remplacer les balais de charbon desserrez la vis d'accès (15) et retirez doucement le cache vers l'arrière.
- Enlevez la petite vis (Image G) et faites remonter la structure tenant les balais de charbon d'environ 12 mm (1/2") puis retirez le raccord électrique en faisant très attention (indiqué par une flèche en Image H).
- Poussez le raccord avec le fil de cuivre à plusieurs brins nu à travers cette structure pendant que vous faites ressortir le balais de charbon usé.
- Placez le raccord et le fil métallique du balai de charbon neuf en le faisant passer à travers la structure de maintien du balai de charbon avant d'y installer le charbon neuf.
- Branchez le raccord électrique (Image H).
- Remettez la structure de maintien des balais de charbon dans son renforcement en faisant très attention puis, remettez la vis en place.
- Vérifiez visuellement que la structure soit bien fixée.
- Reproduisez les étapes de 2 à 7 pour le second balai de charbon.
- Remettez le cache de la semelle (5) ainsi que la vis d'accès en vous assurant que la prise de courant ne s'y soit pas prise et que le variateur de vitesses (14) soit bien positionné.
- Retirez toute lame de l'appareil et branchez-le.
- Commencez par faire tourner votre scie sauteuse à bas régime puis augmentez la vitesse progressivement pour vérifier que votre appareil fonctionne correctement.
- Vous pouvez également faire remplacer les balais de charbon dans un centre d'entretien Triton agréé.

Remarque : les balais de charbon du moteur doivent toujours être remplacés par paires.

Entreposage

- Ranger cet outil et ces accessoires dans sa sacoche, dans un endroit sûr, sec et hors portée des enfants.

Traitement des déchets

Lorsque l'appareil n'est plus en état de fonctionner et qu'il n'est pas réparable, veillez à recycler l'appareil toujours conformément aux réglementations nationales.

- Ne jetez pas les outils électriques, batteries et autres équipements électriques ou électroniques (DEEE) avec les ordures ménagères.
- Contactez les autorités locales compétentes en matière de gestion des déchets pour vous informer de la procédure à suivre pour recycler les outils électriques

Garantie

Pour valider votre garantie, rendez-vous sur notre site internet www.tritontools.com* et saisissez vos coordonnées.

Vos coordonnées seront introduites dans notre liste de diffusion (sauf indication contraire) afin de vous informer de nos prochaines nouveautés. Les informations que vous nous fournirez ne seront pas communiquées à des tiers.

Pense-bête

Date d'achat : ___/___/___

Modèle: XXXXX

Veuillez conserver votre ticket de caisse comme preuve d'achat.

Déclaration de conformité CE

Le soussigné : M. Darrell Morris

Autorisé par : Triton Tools

Déclare que :

La présente déclaration est établie sous la responsabilité exclusive du fabricant.

La présente déclaration de conformité est rédigée conformément à la législation d'harmonisation de l'Union Européenne pertinente

Déclare que le produit :

Code d'identification : XXXXXXX

Description : XXXXXXXXXXX

Est conforme aux directives suivantes :

- Directive sur les machines 2006/42/CE
- Directive sur les basses tensions 2014/35/UE
- Directive sur la compatibilité électromagnétique 2014/30/UE
- Directive RoHS 2011/65/UE
- Directive sur émissions sonores dans l'environnement des matériels destinés à être utilisés à l'extérieur 2000/14/CE

Si toute pièce de ce produit s'avérait défectueuse du fait d'un vice de fabrication ou de matériau dans les 12 MOIS suivant la date d'achat, Triton Precision Power Tools s'engage auprès de l'acheteur de ce produit à réparer ou, à sa discrétion, à remplacer gratuitement la pièce défectueuse.

Cette garantie ne s'applique pas à l'utilisation commerciale et ne s'étend pas non plus à l'usure normale ou aux dommages causés par des accidents, des mauvais traitements ou une utilisation non conforme de votre appareil.

* Enregistrez votre produit en ligne dans les 30 jours suivant la date d'achat.

Offre soumise à conditions.

Ceci n'affecte pas vos droits statutaires.

Organisme notifié : XXXXXXXXXXXXXXX

La documentation technique est conservée par : Triton Tools

Date : XX/XX/XX

Signature :



M. Darrell Morris

Directeur général

Nom et adresse du fabricant ou de son représentant agréé :

Powerbox International Limited, entreprise enregistrée sous le numéro 06897059.

Powerbox Int. Ltd. Somerset, BA22 8HZ, Royaume Uni.

Übersetzung der Originalbetriebsanleitung

Einführung

Vielen Dank, dass Sie sich für dieses Triton-Werkzeug entschieden haben. Diese Anleitung enthält wichtige Informationen für das sichere und effektive Arbeiten mit diesem Produkt. Bitte lesen Sie diese Anleitung sorgfältig durch, um den größtmöglichen Nutzen aus dem einzigartigen Design dieses Produkts ziehen zu können. Bewahren Sie diese Anleitung griffbereit auf und sorgen Sie dafür, dass alle Benutzer dieses Geräts sie gelesen und verstanden haben.

Symbolerklärung

Auf dem Typenschild des Werkzeugs sind möglicherweise Symbole abgebildet. Sie vermitteln wichtige Informationen über das Produkt oder dienen als Gebrauchsanweisung.



Gehörschutz tragen
Augenschutz tragen
Atemschutz tragen
Kopfschutz tragen



Schutzhandschuhe tragen



Bedienungsanleitung sorgfältig lesen



Achtung, Gefahr!



Giftige Dämpfe oder Gase!



Nicht im Regen oder in feuchter Umgebung verwenden!



Vor Einstellungsänderungen, Zubehörwechseln, Reinigungs- und Instandhaltungsarbeiten sowie bei Nichtgebrauch stets von der Spannungsversorgung trennen!



WARNING! Risiko von Quetsch- und Schnittverletzungen durch bewegliche Teile!



Schutzklasse II (doppelt isoliert)



Umweltschutz
Elektroaltgeräte dürfen nicht über den Haushaltsmüll entsorgt werden. Nach Möglichkeit bitte über entsprechende Einrichtungen entsorgen. Lassen Sie sich bezüglich der sachgemäßen Entsorgung von Elektrowerkzeugen von der zuständigen Behörde oder dem Händler beraten.



Erfüllt die einschlägigen Rechtsvorschriften und Sicherheitsnormen

Verzeichnis der technischen Symbole und Abkürzungen

V	Volt	$\overline{\text{DC}}$	Gleichstrom
~, AC	Wechselstrom	W, kW	Watt, Kilowatt
A, mA	Ampere, Milliampere	/min	Umdrehungen pro Minute
n0	Leerlaufdrehzahl	min⁻¹	Umdrehungen pro Minute
n	Nennndrehzahl	dB(A)	Schallpegel in Dezibel (A-bewertet)
Hub/Min.	Hübe pro Minute	m/s²	Quadratmeter pro Sekunde (Schwingungsstärke)
°	Grad		
Ø	Durchmesser		
Hz	Hertz		

Technische Daten

Spannung:	230 V~, 50 Hz
Leistung:	750 W
Leerlaufhubzahl:	800–3.000 min ⁻¹
Hublänge:	26 mm
Sägeblattaufnahme:	T-Shaft
Mitgelieferte Sägeblätter:	Holzägeblatt: flache Kurvenschnitte in Holz (Natur- und Kunstholz) Holzägeblatt: schnelle Geradschnitte in Holz (Natur- und Kunstholz) und Kunststoff Metallsägeblatt: für Eisen- und Nichteisenmetalle
Pendelhub:	3-stufig
Schnittwinkel:	0°, 15°, 30° und 45° (nach rechts und links)
Schnitttiefen in:	
Holz:	110 mm
Aluminium:	25 mm
Stahl:	10 mm
Abmessungen (L x H x B):	340 x 215 x 85 mm
Gewicht:	3,5 kg
Aufgrund der fortlaufenden Weiterentwicklung unserer Produkte können sich die technischen Daten von Triton-Produkten ohne vorherige Ankündigung ändern.	
Geräusch- und Vibrationsinformationen:	
Schalldruckpegel L_{pa}:	80,9 dB(A)
Schalleistungspegel L_{wa}:	91,9 dB(A)
Unsicherheit K:	3 dB(A)
Hand-Arm-Vibration:	
Holz:	13,2 m/s ²
Metallblech:	13,8 m/s ²
Unsicherheit K:	1,5 m/s ²
Der Schallintensitätspegel kann für den Bediener 85 dB(A) übersteigen und Lärmschutzmaßnahmen sind notwendig.	

WARNUNG! Tragen Sie in Bereichen, in denen der Lärmpegel 85 dB(A) überschreitet, unbedingt angemessenen Gehörschutz und begrenzen Sie nach Möglichkeit die Belastungsdauer. Sollte trotz Gehörschutz Unbehagen irgendeiner Art auftreten, beenden Sie die Arbeit unverzüglich und überprüfen Sie den Gehörschutz auf korrekten Sitz und Funktion und stellen Sie sicher, dass dieser einen angemessenen Schutz für den Lärmpegel bietet, der von den verwendeten Werkzeugen ausgeht.

WARNUNG! Bei der Benutzung mancher Werkzeuge wird der Benutzer Vibrationen ausgesetzt, welche zum Verlust des Tastsinns, zu Taubheitsgefühl, Kribbeln und zu einer Verminderung der Handgrieffkraft führen können. Langfristige Belastung kann zu chronischen Beschwerden führen. Begrenzen Sie, falls nötig, die Exposition zu Vibrationen und tragen Sie vibrationsmindernde Handschuhe. Verwenden Sie dieses Werkzeug nicht mit kalten Händen, da Vibrationen bei Temperaturen unter dem individuellen Komfortbereich eine stärkere Wirkung zeigen. Beurteilen Sie die Vibrationsbelastung unter Zuhilfenahme der Technischen Daten des jeweiligen Werkzeuges und bestimmen Sie die zulässige Belastungsdauer und -häufigkeit.

Die in den Technischen Daten angegebenen Geräusch- und Vibrationsinformationen werden nach EN 60745 bzw. vergleichbaren internationalen Standards bestimmt. Die angegebenen Werte beziehen sich auf eine normale Benutzung des Werkzeuges unter normalen Arbeitsbedingungen. Schlecht gewartete, inkorrekt montierte und unsachgemäß verwendete Werkzeuge können erhöhte Schallpegel und Vibrationswerte aufweisen. Weitere Informationen zur EU-Vibrationsrichtlinie und zu Schall- sowie Vibrationsbelastungen, die auch für Heimanwender relevant sein können, finden Sie auf den Seiten der Europäischen Agentur für Sicherheit und Gesundheitsschutz am Arbeitsplatz: www.osha.europa.eu.

Allgemeine Sicherheitshinweise

WARNUNG! Lesen Sie alle Sicherheitshinweise und Anweisungen. Versäumnisse bei der Einhaltung der Sicherheitshinweise und Anweisungen können elektrischen Schlag, Brand und/oder schwere Verletzungen verursachen.

WARNUNG! Dieses Gerät darf nicht von Personen (wie z.B. Kindern) mit eingeschränkter körperlicher oder geistigen Fähigkeiten oder von Personen ohne Erfahrung im Umgang mit einem solchen Gerät betrieben werden, außer wenn sie von einer für ihre persönliche Sicherheit verantwortlichen Person in der Benutzung unterwiesen worden sind und dabei beaufsichtigt werden. Kinder müssen beaufsichtigt werden, um sicherzustellen, dass sie das Gerät nicht als Spielzeug verwenden.

Bewahren Sie alle Sicherheitshinweise und Anweisungen für die Zukunft auf.

Der in den Sicherheitshinweisen verwendete Begriff „Elektrowerkzeug“ bezieht sich auf netzbetriebene Elektrowerkzeuge (mit Netzkabel) und auf akkubetriebene Elektrowerkzeuge (ohne Netzkabel).

1) Arbeitsplatzsicherheit

- Halten Sie Ihren Arbeitsbereich sauber und gut beleuchtet. Unordnung oder unbelichtete Arbeitsbereiche können zu Unfällen führen.
- Arbeiten Sie mit dem Elektrowerkzeug nicht in explosionsgefährdeter Umgebung, in der sich brennbare Flüssigkeiten, Gase oder Stäube befinden. Elektrowerkzeuge erzeugen Funken, die den Staub oder die Dämpfe entzünden können.
- Halten Sie Kinder und andere Personen während der Benutzung des Elektrowerkzeuges fern. Bei Ablenkung können Sie die Kontrolle über das Gerät verlieren.

2) Elektrische Sicherheit

- Der Anschlussstecker des Elektrowerkzeuges muss in die Steckdose passen. Der Stecker darf in keiner Weise verändert werden. Verwenden Sie keine Adapterstecker gemeinsam mit schutzgeerdeten Elektrowerkzeugen. Unveränderte Stecker und passende Steckdosen verringern das Risiko eines elektrischen Schlages.
 - Vermeiden Sie Körperkontakt mit geerdeten Oberflächen wie von Rohren, Heizungen, Herden und Kühlschränken. Es besteht ein erhöhtes Risiko durch elektrischen Schlag, wenn Ihr Körper geerdet ist.
 - Halten Sie Elektrowerkzeuge von Regen oder Nässe fern. Das Eindringen von Wasser in ein Elektrowerkzeug erhöht das Risiko eines elektrischen Schlages.
 - Zweckentfremden Sie das Kabel nicht, um das Elektrowerkzeug zu tragen, aufzuhängen oder um den Stecker aus der Steckdose zu ziehen. Halten Sie das Kabel fern von Hitze, Öl, scharfen Kanten oder sich bewegenden Geräteteilen. Beschädigte oder verwickelte Kabel erhöhen das Risiko eines elektrischen Schlages.
 - Wenn Sie mit einem Elektrowerkzeug im Freien arbeiten, verwenden Sie nur Verlängerungskabel, die auch für den Außenbereich geeignet sind. Die Anwendung eines für den Außenbereich geeigneten Verlängerungskabels verringert das Risiko eines elektrischen Schlages.
- Wenn der Betrieb des Elektrowerkzeuges in feuchter Umgebung nicht vermeidbar ist, verwenden Sie einen Fehlerstromschutzschalter. Der Einsatz eines Fehlerstromschutzschalters vermindert das Risiko eines elektrischen Schlages.

3) Sicherheit von Personen

- Seien Sie aufmerksam, achten Sie darauf, was Sie tun, und gehen Sie mit Vernunft an die Arbeit mit einem Elektrowerkzeug. Benutzen Sie kein Elektrowerkzeug, wenn Sie müde sind oder unter dem Einfluss von Drogen, Alkohol oder Medikamenten stehen. Ein Moment der Unachtsamkeit beim Gebrauch des Elektrowerkzeuges kann zu ernsthaften Verletzungen führen.
- Tragen Sie persönliche Schutzausrüstung und immer eine Schutzbrille. Das Tragen persönlicher Schutzausrüstung, wie Staubmaske, rutschfeste Sicherheitsschuhe, Schutzhelm oder Gehörschutz, je nach Art und Einsatz des Elektrowerkzeuges, verringert das Risiko von Verletzungen.
- Vermeiden Sie eine unbeabsichtigte Inbetriebnahme. Vergewissern Sie sich, dass das Elektrowerkzeug ausgeschaltet ist, bevor Sie es an die Stromversorgung und/oder den Akku anschließen, es aufnehmen oder tragen. Wenn Sie beim Tragen des Elektrowerkzeuges den Finger am Schalter haben oder das Gerät eingeschaltet an die Stromversorgung anschließen, kann dies zu Unfällen führen.

- Entfernen Sie Einstellwerkzeuge oder Schraubenschlüssel, bevor Sie das Elektrowerkzeug einschalten. Ein Werkzeug oder Schlüssel, der sich in einem drehenden Geräteteil befindet, kann zu Verletzungen führen.
- Vermeiden Sie eine unnatürliche Körperhaltung. Sorgen Sie für einen sicheren Stand und halten Sie jederzeit das Gleichgewicht. Auf diese Weise lässt sich das Elektrowerkzeug in unerwarteten Situationen besser kontrollieren.
- Tragen Sie geeignete Kleidung. Tragen Sie keine weite Kleidung oder Schmuck. Halten Sie Haare, Kleidung und Handschuhe fern von sich bewegenden Teilen. Lockere Kleidung, Schmuck oder lange Haare können von sich bewegenden Teilen erfasst werden.
- Wenn Staubabsaug- und -auffangeinrichtungen montiert werden können, vergewissern Sie sich, dass diese angeschlossen sind und richtig verwendet werden. Verwendung einer Staubabsaugung kann Gefährdungen durch Staub verringern.
- Verwendung und Behandlung des Elektrowerkzeuges**
 - Überlasten Sie das Gerät nicht. Verwenden Sie für Ihre Arbeit das dafür bestimmte Elektrowerkzeug. Mit dem passenden Elektrowerkzeug arbeiten Sie besser und sicherer im angegebenen Leistungsbereich.
 - Benutzen Sie kein Elektrowerkzeug, dessen Schalter defekt ist. Ein Elektrowerkzeug, das sich nicht mehr ein- oder ausschalten lässt, ist gefährlich und muss repariert werden.
 - Ziehen Sie den Stecker aus der Steckdose und/oder entfernen Sie den Akku, bevor Sie Geräteinstellungen vornehmen, Zubehörteile wechseln oder das Gerät weglegen. Diese Vorsichtsmaßnahme verhindert den unbeabsichtigten Start des Elektrowerkzeuges.
 - Bewahren Sie unbenutzte Elektrowerkzeuge außerhalb der Reichweite von Kindern auf. Lassen Sie Personen das Gerät nicht benutzen, die mit diesem nicht vertraut sind oder diese Anweisungen nicht gelesen haben. Elektrowerkzeuge sind gefährlich, wenn sie von unerfahrenen Personen benutzt werden.
 - Pflegen Sie Elektrowerkzeuge mit Sorgfalt. Kontrollieren Sie, ob bewegliche Teile einwandfrei funktionieren und nicht klemmen, ob Teile gebrochen oder so beschädigt sind, dass die Funktion des Elektrowerkzeuges beeinträchtigt ist. Lassen Sie beschädigte Teile vor dem Einsatz des Gerätes reparieren. Viele Unfälle haben ihre Ursache in schlecht gewarteten Elektrowerkzeugen.
 - Halten Sie Schneidwerkzeuge scharf und sauber. Sorgfältig gepflegte Schneidwerkzeuge mit scharfen Schneidkanten verklemmen sich weniger und sind leichter zu führen.
 - Verwenden Sie Elektrowerkzeug, Zubehör, Einsatzwerkzeuge usw. entsprechend diesen Anweisungen. Berücksichtigen Sie dabei die Arbeitsbedingungen und die auszuführende Tätigkeit. Der Gebrauch von Elektrowerkzeugen für andere als die vorgesehenen Anwendungen kann zu gefährlichen Situationen führen.
- Service
 - Lassen Sie Ihr Elektrowerkzeug nur von qualifiziertem Fachpersonal und nur mit Original-Ersatzteilen reparieren. Damit wird sichergestellt, dass die Sicherheit des Elektrowerkzeuges erhalten bleibt.

Zusätzliche Sicherheitshinweise für Stichsäge

WARNUNG! Stellen Sie vor Anschluss eines Werkzeuges an eine Stromquelle (Steckdose, Stromanschluss usw.) sicher, dass die Netzspannung auf dem Leistungsschild des Werkzeuges angegebenen Spannung entspricht. Eine Stromquelle mit einer höheren Spannung als der für das Werkzeug spezifizierten Spannung kann zu schweren Verletzungen des Bedieners sowie Beschädigung des Werkzeuges führen. Schließen Sie das Werkzeug im Zweifelsfall nicht an. Eine niedrigere Spannung als auf dem Typenschild angegeben schadet dem Motor.

- Halten Sie das Elektrowerkzeug, während der Inbetriebnahme, nur an den isolierten Griffflächen fest, falls das Werkzeug mit elektrischen Leitungen oder dem eigenen Netzkabel in Kontakt kommen könnte. Ein Kontakt mit spannungsführenden Leitungen führt dazu, dass freigelegte Metallteile der Säge unter Strom gebracht werden und dem Benutzer einen elektrischen Schlag verabreichen können.
- Reichen Sie nicht unter das Werkstück. Die Schutzvorrichtungen können Sie hier nicht vor dem Sägeblat schützen.
- Halten Sie nie das zu schneidende Werkstück mit bloßen Händen oder mit Hilfe der Oberschenkel/Beine fest. Sichern Sie das Werkstück an eine stabile Oberfläche/ Werkbank. Es ist wichtig das Werkstück ausreichend abzustützen um den Körperkontakt gering zu halten, das Verklemmen des Sägeblattes oder den Verlust über die Gerätekontrolle zu verhindern.

Sicherheitsvorschriften in Bezug auf Schutzkleidung/-ausrüstung und allgemeine Gesundheitsrisiken, die der Gebrauch von Elektrowerkzeugen darstellt, finden sich unter „Allgemeine Sicherheitshinweise“ und „Elektrische Sicherheit“ in dieser Gebrauchsanweisung.

- Dieses Gerät darf nicht von Personen unter 18 Jahren verwendet werden.
- Sorgen Sie für ausreichende Beleuchtung des Arbeitsbereiches.
- Lappen, Tücher, Bindfäden, Kabel usw. müssen aus dem Arbeitsbereich entfernt werden.
- Entfernen Sie mögliche Stolperfallen aus dem Arbeitsbereich.
- Befreien Sie das Werkstück vor Aufnahmen der Arbeit von sämtlichen Fremdkörpern wie Nägeln, Schrauben, Haken usw.
- Verwenden Sie Spannvorrichtungen oder Schraubzwingen, damit Vibration vermieden und ein sauberer Schnitt gewährleistet wird.
- Verwenden Sie ausschließlich in den technischen Daten genannte Sägeblätter. Andere Sägeblattarten lassen sich möglicherweise nicht ordnungsgemäß befestigen und stellen somit ein Sicherheitsrisiko dar.

- Verwenden Sie ausschließlich Sägeblätter in einwandfreiem Zustand.
- Um das Risiko eines elektrischen Schlags zu verringern, halten Sie die Säge stets an den isolierten Griffflächen.
- Falls Sie beim Betrieb der Säge unterbrochen werden, führen Sie den begonnenen Arbeitsschritt zu Ende und schalten Sie das Gerät aus, bevor Sie aufschauen.
- Halten Sie Ihre Hände von der Werkstückunterseite fern.
- Sorgen Sie dafür, dass stets ein für den zu sägenden Werkstoff geeignetes Sägeblatt verwendet wird.
- Sorgen Sie dafür, dass sich keine Stützen oder Stromkabel in der Schnittbahn befinden.
- Sämtliche Schutzvorrichtungen müssen, sofern vorhanden, verwendet werden und ordnungsgemäß angebracht sein.
- Üben Sie keinen Druck auf das Gerät aus, sondern lassen Sie das Sägeblatt in seinem eigenen Tempo arbeiten. Dadurch werden bessere Ergebnisse erzielt und die Lebensdauer des Gerätes maximiert.
- Prüfen Sie vor Beginn der Arbeit, dass unter dem Werkstück ausreichend Freiraum für das Sägeblatt besteht.
- Halten Sie den Sägeschuh stets gegen das Werkstück gedrückt.
- Versuchen Sie nicht, Werkstücke von größerer Stärke als in den technischen Daten angegeben zu schneiden.
- Wenden Sie nie so viel Druck auf das Sägeblatt an, dass es während des Sägens gebogen oder verdreht wird.
- Wenn ein Schnitt nicht bis zur Werkstückkante reicht, lassen Sie das Sägeblatt zum völligen Stillstand kommen, bevor Sie es aus dem Werkstück nehmen.
- Entfernen Sie Sägemehl, Sägespäne oder Ausschussmaterial nahe dem Sägeblatt niemals mit den Händen.
- Reichen Sie beim Entfernen von Verschnitt und Ausschussmaterial niemals über das Sägeblatt hinweg.
- Beachten Sie, dass das Sägeblatt nach dem Sägen heiß ist. Lassen Sie es vollständig abkühlen, bevor Sie es berühren.
- Wenn sich ein Sägeblatt verklemmt, trennen Sie das Gerät vom Stromnetz, bevor Sie das Sägeblatt befreien.
- Überprüfen Sie in regelmäßigen Abständen sämtliche Schrauben, Muttern und anderen Befestigungsmittel auf festen Sitz und ziehen Sie sie bei Bedarf an.

Zusätzliche Sicherheitshinweise für Schneidwerkzeuge

WARNUNG! Stellen Sie vor Anschluss eines Werkzeugs an eine Stromquelle (Steckdose, Stromanschluss usw.) sicher, dass die Netzspannung der auf dem Typenschild des Werkzeugs angegebenen Spannung entspricht. Eine Stromquelle mit einer höheren Spannung als der für das Werkzeug spezifizierten Spannung kann zu schweren Verletzungen des Bedieners sowie Beschädigung des Werkzeugs führen. Schließen Sie das Werkzeug im Zweifelsfall nicht an. Eine niedrigere Spannung als auf dem Leistungsschild angegeben schadet dem Motor.

Korrektes Schneidwerkzeug verwenden

- Vergewissern Sie sich, dass sich das Schneidwerkzeug für die auszuführende Aufgabe eignet. Ziehen Sie vor Gebrauch immer die Produktliteratur heran und gehen Sie nicht ohne Überprüfung davon aus, dass das Werkzeug für die Anwendung geeignet ist.

Augen schützen

- Tragen Sie bei Verwendung von Schneidwerkzeugen immer angemessenen Augenschutz.
- Gewöhnliche Brillen sind als Augenschutz bei Verwendung dieses Werkzeugs nicht ausreichend. Normale Brillengläser sind nicht schlagfest und könnten zersplittern.

Gehör schützen

- Bei Werkzeugschallpegeln über 85 dB immer geeigneten Gehörschutz tragen.

Atemwege schützen

- Sorgen Sie dafür, dass Sie selbst und Umstehende geeignete Staubschutzmasken tragen.

Hände schützen

- Halten Sie die Hände von Schneidwerkzeugen fern. Verwenden Sie für kürzere Werkstücke einen entsprechend geeigneten Schiebstock, wenn dies mit der Art des Elektrowerkzeugs vereinbar ist.

Auf Umstehende achten

- Es liegt in der Verantwortung des Bedieners, dass andere Personen im Arbeitsbereich keinen gefährlichen Schallpegeln oder Staub ausgesetzt werden. Sorgen Sie dafür, dass diesen Personen geeignete Schutzzausrüstung zur Verfügung steht.

Nicht sichtbare Gegenstände

- Untersuchen Sie das Werkstück vor Arbeitsbeginn gründlich auf Nägel und andere Fremdkörper und entfernen Sie diese.
- Bearbeiten Sie keine Werkstücke, die Fremdkörper enthalten, es sei denn, Sie sind sicher, dass sich der Schneideinsatz am Gerät für die Aufgabe eignet.

- In Wänden können sich verdeckte Drähte und Leitungen befinden, in Karosserieteilen können versteckte Kraftstoffleitungen verlaufen und in hohem Gras können Steine oder Glas vorhanden sein. Überprüfen Sie vor Arbeitsbeginn immer zunächst gründlich den Arbeitsbereich.

Auf geschleuderten Verschnitt achten

- In einigen Situationen können Verschnittstücke mit hoher Geschwindigkeit vom Schneidwerkzeug weggeschleudert werden. Es liegt in der Verantwortung des Bedieners, für den Schutz anderer, im Arbeitsbereich befindlicher Personen vor katastrophalem Ausschussmaterial zu sorgen.

Einsetzen von Zubehör

- Vergewissern Sie sich vor Gebrauch, dass das Schneidzubehör ordnungsgemäß und fest eingesetzt wurde. Prüfen Sie vor Gebrauch, dass Schraubenschlüssel und Einstellwerkzeuge entfernt wurden.
- Verwenden Sie nur für das Gerät empfohlenes Zubehör.
- Versuchen Sie nicht, das Gerät oder sein Zubehör zu modifizieren.
- Vergewissern Sie sich das Sägeblätter scharf, in einem guten Zustand und richtig installiert sind.
- Schärfen Sie keine Sägeblätter die sich nicht zum Schärfen eignen. Dies können Blätter aus gehärtetem Stahl oder aus gehärteten Legierungen die Wolframkarbid beinhalten.
- Sägeblätter die geschärft werden können, müssen gemäß der Anleitung des Herstellers geschärft werden. Hier kann die Häufigkeit des Schärfens eingeschränkt sein.
- Geschärfte Sägeblätter müssen sorgfältig überprüft werden, bevor diese eingesetzt werden können und müssen sofort ausgewechselt werden, sollte es Zweifel über deren Zustand oder Eignung geben.
- Im Fall das Sägeblätter auf eingebettete Gegenstände treffen für die sie nicht geeignet sind, müssen diese sofort ausgewechselt werden.

Vorschubrichtung

- Führen Sie das Werkstück dem Sägeblatt oder Schneideinsatz nur gegen die Bewegungsrichtung von Sägeblatt oder Schneideinsatz zu.

Vorsicht vor Hitzebildung

- Beachten Sie, dass Schneidwerkzeuge und Werkstücke während des Gebrauchs heiß werden können. Versuchen Sie nicht, Werkzeuge auszutauschen, bevor sie völlig abgekühlt sind.

Abfallstoffe kontrollieren

- Achten Sie darauf, dass sich keine Späne oder Staub ansammeln. Sägemehl stellt eine Brandgefahr dar und einige Metallspäne sind explosionsgefährlich.
- Lassen Sie bei Geräten zum Sägen von Holz und Metall besondere Vorsicht walten. Funken infolge von Metallsägen sind eine häufige Ursache für Holzstaubfeuer.
- Verwenden Sie nach Möglichkeit ein Staubabsaugsystem, um eine sicherere Arbeitsumgebung zu gewährleisten.

Geräteübersicht

1. Zusatzgriff
2. Hauptgriff
3. Ein-/Aussschalter
4. Fußplatte
5. Fußplattenschutz
6. Betriebsartenwahlschalter
7. Sägeblattführung
8. Parallelführungsaufnahme
9. Gewinde für Parallelführungsschraubgrippe
10. Schutzhaubenschiene
11. Sägeblattfreigabe
12. Sägeblattaufnahme
13. Lüftungsöffnungen
14. Hubzahlregler
15. Bürstenzugangsschraube
16. Fußplattenarreterung

Zubehör (nicht aufgeführt):

- TJSBW10 Holzstichsägeblatt für Kurvenschnitte
- TJSBW06 Holz- und Kunststoffstichsägeblatt
- TJSBM21 Metallstichsägeblatt
- Staubabsaugadapter
- Parallelführung
- Parallelführungsdrehgrippe (2 Stk.)
- Führungsschiennenadapter
- Gerätetasche

Bestimmungsgemäße Verwendung

Pendelhubstichsäge für mittlere, exakte Gerad- und Kurvenschnitte in Holz, Kunststoff und Dünnblech (unter Verwendung geeigneter Sägeblätter). Für kurze Innen-/Tauschschnitte und andere innenliegende Schnitte mit geraden Kanten auch mit dem Triton-Führungsschienensystem kompatibel.

Auspacken des Gerätes

- Packen Sie Ihr Werkzeug vorsichtig aus und überprüfen Sie es. Machen Sie sich vollständig mit allen Eigenschaften und Funktionen vertraut.
- Vergewissern Sie sich, dass sämtliche Teile des Werkzeugs vorhanden und in einwandfreiem Zustand sind. Sollten Teile fehlen oder beschädigt sein, lassen Sie diese ersetzen, bevor Sie das Werkzeug verwenden.

Vor Inbetriebnahme

⚠️ WARNUNG! Trennen Sie das Gerät stets vom Stromnetz, bevor Sie Zubehörwechsel oder Einstellungsänderungen vornehmen.

Sägeblattführung

Die Sägeblattführung (7) steht unter Federspannung. Je nach Stellung des Betriebsartenwahlschalters (6) bleibt die Sägeblattführung unbeweglich (d.h. ohne Pendelung) oder schwingt vor und zurück, wodurch das Sägeblatt mit Pendelhub arbeitet.

Pendelhubwahl

Die verschiedenen Pendelhubstufen ermöglichen durch raumgreifendes Schneiden eine effizientere Werkstoffbearbeitung und bieten bessere Schnitteigenschaften in dickeren Werkstücken. Darüber hinaus werden Motor und Sägeblatt geschont, da während des Schnittes immer wieder ein wenig Spiel zwischen Sägeblatt und Werkstück entsteht.

Der Betriebsartenwahlschalter (6) lässt sich in vier verschiedene Stellungen bringen:

- Position 0 für normale, d.h. lineare Schnittbewegungen ohne Pendelhub.
- Die anderen drei Positionen (1, 2 und 3) zum Sägen mit Pendelhub. Die dadurch bewirkte Auf- und Abbewegung des Sägeblattes erhöht den Arbeitsfortschritt.
- Position 1 bietet dabei den geringsten und Position 3 den stärksten Pendelhub.
- Nehmen Sie an einem Reststück des Werkstoffes einige Probeschnitte vor, um den für das zu bearbeitende Werkstück am besten geeigneten Pendelhub zu ermitteln.

WARNHINWEIS: Die PendelhubEinstellung nicht bei laufender Säge ändern!

Fußplatte für Gehrungsschnitte justieren

Die Fußplatte (4) verfügt über drei Winklereinstellungen (15°, 30° und 45°) nach rechts und links (siehe Abb. E).

1. Drehen Sie die Stichsäge um und geben Sie die Fußplattenarretierung (16) frei, indem Sie den Hebel herausziehen (siehe Abb. D).
2. Bringen Sie die Fußplatte in die gewünschte Position (siehe Abb. F).
3. Ziehen Sie die Fußplattenarretierung wieder an.

Hinweis: Führen Sie einen Probeschnitt an einem Stück Restmaterial durch. Überprüfen Sie das Ergebnis und nehmen Sie ggf. Änderungen vor, bis die richtige Einstellung erreicht ist.

Hinweis: Wenn die Fußplatte in einen von den Voreinstellungen abweichenden Winkel gebracht werden soll, wird sie nur durch Reibung/Spannung gehalten, d.h. es kann sein, dass sie bei Betrieb verrutscht. Gegebenenfalls muss dann die Fußplatten-Halteschraube (siehe Darst. I) vorsichtig justiert werden.

Staubabsaugung

Für eine sauberere und gesundheitsschonende Arbeitsumgebung wird empfohlen, diese Stichsäge in Verbindung mit einer Absauganlage zu verwenden. Dies gilt insbesondere dann, wenn die Giftigkeit des Werkstücks unklar ist, z.B. bei älteren Oberflächenbeschichtungen einschließlich Lack und Farbe oder unbekanntem Holzschutzmitteln.

- Über den hinten an die Fußplatte anzuschließenden Staubabsaugadapter (siehe Darst. N) können ein Staubabsaugsystem oder ein Haushaltsstaubsauger an das Gerät angeschlossen werden, um während des Betriebs Sägemehl und Staub abzuführen.

⚠️ WARNUNG! Bei der Bearbeitung von Blech anfallende heiße Metallspäne können Holzstaubrückstände entzünden, die sich zuvor im Staubfangbehälter der Absauganlage angesammelt haben. Unter diesen Umständen wird von der Staubabsaugung beim Metallsägen abgeraten, sofern nicht zuvor sämtliche Gefahrenquellen vollständig beseitigt wurden.

Sägeblattwechsel

1. Drehen Sie das Gerät um, damit Sie Zugriff auf das Sägeblatt erhalten.
2. Ziehen Sie die Sägeblattfreigabe (11) heraus und ersetzen Sie das alte Sägeblatt durch ein neues (siehe Abb. C).
3. Lassen Sie die Sägeblattfreigabe wieder in ihre Ausgangsposition zurückgleiten.
4. Prüfen Sie das Sägeblatt auf ordnungsgemäße Montage und exakte Ausrichtung mit der Sägeblattführung (7).

Hinweis: Wenn sich das Sägeblatt nur mit Mühe herausnehmen lässt, klopfen Sie mit einem Holzhammer o.ä. ganz leicht gegen das Sägeblattende. Dadurch wird das Sägeblatt gelöst und kann dann herausgenommen werden.

Fußplattenschutz montieren

Diese Stichsäge ist mit einem Universal-Fußplattenschutz (5) ausgestattet, der Kratzer und andere Schäden an den meisten Oberflächen verhindert. Fußplattenschutzvorrichtungen für spezielle Oberflächenarten sind über Ihren Triton-Fachhändler erhältlich.

- Lösen Sie den Fußplattenschutz zum Abnehmen hinten an der Fußplatte (4) und ziehen Sie ihn vorne von der Fußplatte ab (siehe Abb. J).
- Haken Sie den Fußplattenschutz zum Montieren vorne an der Fußplatte ein und lassen Sie ihn dann mit einem Klickgeräusch hinten an der Fußplatte einrasten.

Führungsschienendapter montieren

Der Führungsschienendapter ermöglicht unter Verwendung des Triton-Schienensystems eine mühelose und genau parallele Führung beim Anfertigen von kurzen Innen-/Tauschschnitten und anderen innenliegenden Schnitten mit geraden Kanten.

1. Der Führungsschienendapter rastet an der Fußplatte (4) ohne montierten Fußplattenschutz (5) ein.
2. Bringen Sie die Fußplattenfront am Führungsschienendapter an und lassen Sie dann das hintere Ende der Fußplatte einrasten.
3. Der Führungsschienendapter wird gemäß Darstellung P an der Führungsschiene befestigt und verhilft so zu genauen und leicht durchführbaren Geradschnitten.

Parallelführung montieren

Die Parallelführung muss auf der Werkstück- oder einer anderen parallelen Kante angelegt werden, um einen parallelen Schnitt im Werkstück anfertigen zu können.

1. Setzen Sie die beiden Parallelführungsschraubgriffe in die Gewinde für die Parallelführungsschraubgriffe (9), ziehen Sie sie aber nicht an.
2. Führen Sie die Parallelführung auf der für den Schnitt benötigten Seite in die Parallelführungsaufnahme (8) ein und achten Sie dabei darauf, dass das Schließblech der Parallelführung nach unten weist (siehe Darst. D).
3. Passen Sie die Länge mithilfe der Skala an der Führung oder einer anderen Messvorrichtung an.
4. Ziehen Sie die Parallelführungsschraubgriffe abschließend an.

Bedienung

⚠️ WARNUNG! Tragen Sie bei der Arbeit mit diesem Gerät stets Augen-, Atem- und Gehörschutz sowie geeignete Schutzhandschuhe.

Hubzahl ändern

Die Sägegeschwindigkeit lässt sich über den Hubzahlregler (14) hinten am Gerät wahlweise vor Inbetriebnahme einstellen oder während des Gebrauchs verändern. Die Einstellung der Hubzahl vor Inbetriebnahme der Säge erlaubt es dem Bediener, sich auf die Geräteführung per Hauptgriff (2) und Zusatzgriff (1) zu konzentrieren. Die Hubzahl sollte stets dem zu bearbeitenden Werkstoff angepasst werden. Dies erhöht die Schnittleistung und beugt vorzeitigem Verschleiß des Sägeblattes vor.

- Stellen Sie die gewünschte Hubzahl des Sägeblattes am Hubzahlregler (14) ein.

Ein- und Ausschalten

1. Schließen Sie die Säge ans Stromnetz an.
2. Schieben Sie den Ein-/Ausschalter (3) zum Einschalten des Gerätes nach vorne und drücken Sie ihn dann zum Feststellen im vorderen Bereich ein (siehe Abb. A und B).
3. Drücken Sie den Ein-/Ausschalter zum Abschalten im hinteren Bereich ein. Dadurch springt der Schalter sofort in seine Ausgangsposition zurück.

Sägeschnitt vornehmen

WARNUNG! Achten Sie darauf, dass sich das Fenster der Sägeblattfreigabe (11) und die Schutzhaubenschiene (10) in einwandfreiem Zustand befinden und ordnungsgemäß positioniert sind, damit Ihre Finger vor den Zähnen des laufenden Sägeblattes geschützt sind.

1. Setzen Sie die vordere Hälfte der Fußplatte (4) auf die Werkstückkante (siehe Abb. M) und schalten Sie die Säge ein.
2. Warten Sie, bis das Sägeblatt seine volle Hubzahl erreicht hat.
3. Schieben Sie die Säge langsam mit beiden Händen vorwärts und drücken Sie dabei die Fußplatte flach gegen das Werkstück.
4. Üben Sie keinen Druck auf die Säge aus: Lassen Sie das Sägeblatt und die Säge die Arbeit erledigen. Wenden Sie nur so viel Druck an, dass das Sägeblatt ohne Unterbrechung schneidet.

Tauch- und Kurvenschnitte

- Um einen Tauchschnitt vorzunehmen, d.h. nicht von der Werkstückkante aus zu sägen, bohren Sie zunächst ein Loch von 12 mm Durchmesser zum Einführen des Sägeblattes von der später nicht sichtbaren Seite aus in das Werkstück (siehe Abb. L).
- Verringern Sie zum Sägen enger Kurven die Hubzahl der Säge (siehe Abb. K).

WARNUNG! Schieben Sie die Säge erst dann auf der Schnittlinie vorwärts, wenn das Sägeblatt vollständig in das Werkstück abgesenkt ist und die Fußplatte auf der Werkstückoberfläche ruht.

Parallelführung verwenden

- Verwenden Sie die Parallelführung zur Führung der Stichsäge entlang einer geraden Linie. Dies kann entweder die Werkstückkante oder ein gerades, an das Werkstück gespanntes Stück Holz sein.
- Die Parallelführung ist besonders nützlich, wenn mehrere Leisten gleichmäßig aus einem einzigen Werkstück geschnitten werden sollen.

Metallsägen

- Beim Metallsägen muss ein geeignetes Kühlmittel oder Schneidöl verwendet werden.
- Geben Sie das Schmiermittel während des Sägevorgangs in regelmäßigen Abständen auf das Sägeblatt bzw. das Werkstück. Dadurch wird die Abnutzung des Sägeblattes verringert.

Zubehör

- Eine Vielzahl an Zubehör für diese Stichsäge wie z.B. Sägeblätter für unterschiedliche Werkstoffe und Schnittarten können Sie über Ihren Triton-Fachhändler beziehen. Ersatzteile sind unter www.toolsparsonline.com erhältlich.

Instandhaltung

⚠️ WARNUNG! Trennen Sie das Gerät stets vom Stromnetz, bevor Sie Inspektions-, Wartungs- oder Reinigungsarbeiten durchführen.

Allgemeine Überprüfung

- Überprüfen Sie alle Befestigungsschrauben in regelmäßigen Abständen auf festen Sitz. Sie können sich durch Vibration mit der Zeit lösen.
- Überprüfen Sie das Netzkabel des Gerätes vor jedem Gebrauch auf Beschädigungen und Verschleiß. Reparaturen müssen durch eine zugelassene Triton-Vertragswerkstatt ausgeführt werden. Beides gilt auch für mit diesem Gerät verwendete Verlängerungskabel.

Reinigung

WARNUNG! Tragen Sie während der Reinigung dieses Gerätes stets Schutzausrüstung einschließlich Schutzbrille und Schutzhandschuhen.

- Halten Sie Ihr Gerät stets sauber. Durch Schmutz und Staub verschleifen die inneren Teile schnell und die Lebensdauer des Gerätes wird verkürzt.
- Reinigen Sie das Gerät mit einer weichen Bürste oder einem trockenen Tuch.
- Reinigen Sie Kunststoffteile niemals mit Ätzmitteln. Falls eine Trockenreinigung nicht ausreichend ist, sollte ein mildes Reinigungsmittel auf einem feuchten Lappen verwendet werden.
- Das Gerät darf niemals mit Wasser in Berührung kommen.
- Vergewissern Sie sich vor dem erneuten Gebrauch, dass das Gerät wieder vollkommen trocken ist.
- Die Entlüftungsöffnungen mit sauberer, trockener Druckluft reinigen, sofern verfügbar.

Schmierung

- Schmieren Sie alle beweglichen Teile in regelmäßigen Abständen mit einem geeigneten Sprühschmiermittel.

Kohlebürsten

1. Mit der Zeit unterliegen die Kohlebürsten des Motors dem Verschleiß.
 2. Wenn der Verschleiß der Bürsten fortgeschritten ist, kann dadurch die Motorleistung abnehmen, die Maschine kurzzeitig ausfallen oder es kann zu sichtbarer Funkenbildung kommen.
 3. Lösen Sie zum Wechseln der Kohlebürsten die Bürstenzugangsschrauben (15) und ziehen Sie die Abdeckung hinten am Gerät vorsichtig ab.
 4. Lösen Sie die kleine Schraube (siehe Abb. G) und heben Sie den Kohlebürstenbürstenrahmen auf etwa 12 mm heraus. Entfernen Sie vorsichtig den elektrischen Steckverbinder (siehe Pfeil auf Abb. H).
 5. Schieben Sie den Steckverbinder beim Entfernen der abgenutzten Kohlebürste mit blankem, mehrfasrigem Kupferdraht durch den Rahmen.
 6. Führen Sie den Steckverbinder und den Draht einer neuen Kohlebürste durch den Rahmen, bevor Sie die neue Kohlebürste in den Rahmen setzen.
 7. Schließen Sie den elektrischen Steckverbinder an (siehe Abb. H).
 8. Setzen Sie den Rahmen vorsichtig wieder in die Aussparung und fixieren Sie ihn mit der Schraube.
 9. Unterziehen Sie den Rahmen einer Sichtprüfung auf ordnungsgemäßen Sitz.
 10. Wiederholen Sie Schritt 2–7 für die andere Kohlebürste.
 11. Bringen Sie den Fußplattenschutz (5) und die Bürstenzugangsschraube wieder an und achten Sie dabei darauf, dass sich das Netzkabel nicht verfangen hat und der Hubzahlregler (14) ordnungsgemäß ausgerichtet ist.
 12. Entfernen Sie ggf. montierte Sägeblätter und schließen Sie das Gerät ans Stromnetz an.
 13. Lassen Sie das Gerät zunächst bei niedriger Hubzahl laufen und erhöhen Sie diese dann, um die Säge auf einwandfreien Betrieb zu prüfen.
- Alternativ können Sie Ihre Stichsäge von einem Triton-Kundendienst warten lassen.
- ACHTUNG!** Kohlebürsten immer paarweise wechseln!

Lagerung

- Lagern Sie dieses Gerät sorgfältig an einem sicheren, trockenen Ort außerhalb der Reichweite von Kindern.

Entsorgung

Beachten Sie bei der Entsorgung von defekten und nicht mehr reparablen Elektrowerkzeugen die geltenden Vorschriften und Gesetze.

- Elektrowerkzeuge oder andere elektrische und elektronische Altgeräte nicht über den Hausmüll entsorgen.
- Lassen Sie sich von der zuständigen Behörde bezüglich der ordnungsgemäßen Entsorgung von Elektrowerkzeugen beraten.

Garantie

Zur Anmeldung Ihrer Garantie besuchen Sie bitte unsere Website www.tritontools.com* und tragen dort Ihre persönlichen Daten ein.

Ihre Angaben werden (wenn nicht anders angewiesen) in unseren elektronischen Verteiler aufgenommen, damit Sie Information über zukünftige Produkteinführungen erhalten. Die von Ihnen bereitgestellten Angaben werden nicht an Dritte weitergegeben.

Kaufinformation

Kaufdatum: ___/___/___

Modell: XXXXX Bewahren Sie bitte Ihren Beleg als Kaufnachweis auf.

CE-Konformitätserklärung

Name des Unterzeichners: Mr. Darrell Morris

Bevollmächtigt durch: Triton-Tools

Erklärt hiermit Folgendes:

Die alleinige Verantwortung für die Ausstellung dieser Erklärung trägt der Hersteller. Der Gegenstand der Erklärung erfüllt die einschlägigen Harmonisierungsrechtsvorschriften der Gemeinschaft.

Produktkennung: XXXX

Produktbezeichnung: XXXX

Entspricht den folgenden Richtlinien und Normen:

- Maschinenrichtlinie 2006/42/EG
- Niederspannungsrichtlinie 2014/35/EU
- EMV-Richtlinie 2014/30/EU
- RoHS-Richtlinie 2011/65/EU
- Lärmschutzrichtlinie 2000/14/EG
- EN60745-1
- EN60745-2-1
- EN60745-2-2
- EN60335-1
- EN60335-2-29

Triton garantiert dem Käufer dieses Produkts, dass Triton, wenn sich Teile dieses Produkts innerhalb von 3 Jahren ab Originalkaufdatum infolge fehlerhafter Materialien oder Arbeitsausführung als defekt erweisen, das mangelhafte Teil nach eigenem Ermessen entweder kostenlos reparieren oder ersetzen wird.

Diese Garantie gilt nicht für kommerzielle Verwendung und erstreckt sich nicht auf normalen Verschleiß oder Schäden infolge von Unfall, Missbrauch oder unsachgemäßer Verwendung.

*Bitte registrieren Sie Ihren Artikel innerhalb von 30 Tagen nach dem Kauf online.

Es gelten die allgemeinen Geschäftsbedingungen.

Ihre gesetzlich festgelegten Rechte werden dadurch nicht eingeschränkt.

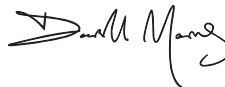
- EN 62233

Benannte Stelle: TÜV Rheinland Co., Ltd

Techn. Unterlagen bei: Triton Tools

Datum: XX.XX.XXXX

Unterzeichnet von:



Mr. Darrell Morris,

Geschäftsführender Direktor

Name und Anschrift des Herstellers:

Powerbox International Limited, Handelsregisternummer 06897059. Eingetragene Anschrift:

Powerbox Int. Ltd. Somerset, BA22 8HZ, Großbritannien

Traduzione delle istruzioni originali

Introduzione

Grazie per aver acquistato questo utensile TRITON. Questo manuale contiene le informazioni necessarie per il funzionamento sicuro ed efficace di questo prodotto. Questo prodotto ha caratteristiche uniche e, anche se si ha familiarità con altri prodotti simili, è necessario leggere attentamente questo manuale per essere sicuri di comprendere appieno le istruzioni. Assicurarsi che tutti gli utenti dell'utensile leggano e comprendano appieno questo manuale.

Descrizione dei simboli

La targhetta sul vostro utensile può mostrare simboli. Questi rappresentano informazioni importanti riguardanti il prodotto o istruzioni sul suo utilizzo.



Usare la protezione acustica
Indossare occhiali protettivi
Indossare protezione respiratoria
Indossare il casco



Indossare la protezione delle mani



Leggere il manuale di istruzioni



Attenzione!



Fumi o gas tossici!



NON usare se esposti alla pioggia o in ambienti umidi!



Scollegare sempre dalla sorgente di alimentazione in fase di regolazione, sostituzione degli accessori, pulizia, esecuzione degli interventi di manutenzione e quando il dispositivo non è in uso.



AVVERTENZA: Le parti mobili possono causare ferite da schiacciamento e da taglio.



Costruzione di classe II (doppio isolamento per conferire una protezione ancora maggiore)



Protezione Ambientale
I rifiuti di prodotti elettrici non devono essere smaltiti con i rifiuti domestici. Nel caso in cui esistano strutture, provvedere al riciclaggio. Verificare con le autorità locali o il rivenditore per consigli sul riciclaggio.



Conforme alle normative pertinenti e gli standard di sicurezza.

Abbreviazioni tecniche

V	Volt	Hz	Hertz
~, AC	Corrente alternata	==>, DC	Corrente continua
A, mA	Ampere, milli-Amp	W, kW	Watt, kilowatt
n0	Velocità a vuoto	/min or min⁻¹	Operazioni per minuto
n	velocità nominale	rpm	Giri al minuto
opm	Orbitale o oscillazioni al minuto	dB(A)	Livello sonoro decibel (A ponderato)
spm	Colpi al minuto	m/s²	Metro al secondo quadrato (vibrazioni grandezza)
°	Gradi		
Ø	Diametro		

Specificazione

Tensione:	230V ~, 50 Hz
Potenza:	750W
Velocità a vuoto:	800-3000 min ⁻¹
Corsa:	26 mm
Montaggio della lama:	Baionetta
Lame in dotazione:	Lama per legno: basso profilo, tagli curvi su legno (legni naturali e compositi) Lama per legno: tagli rettilinei veloci su legno (naturale e composito) e plastiche Lama per metallo: tagli su metalli ferrosi e non ferrosi
Pendolo:	Trifasico
Taglio gamma di angolo:	0 °, 15 °, 30 ° e 45 ° (sinistra e destra)
Profondità di taglio in:	
Legno:	110 mm
Alluminio:	25 mm
Acciaio:	10 mm
Dimensioni (L x l x A):	340 x 85 x 215 mm
Peso:	3,5 kg
Come parte del nostro continuo sviluppo del prodotto, le specifiche di Triton prodotti possono variare senza preavviso.	
Informazioni sul suono e sulle vibrazioni:	
Pressione Sonora L_{pa}:	80,9 dB (A)
Potenza sonora L_{wa}:	91,9 dB (A)
Incertezza K:	3dB
Tipiche Vibrazioni Ponderate:	
Legno di taglio:	13,2 m/s ²
Taglio lamiera:	13,8 m/s ²
Incertezza:	1,5 m/s ²
Il livello di intensità del suono per l'operatore può superare i 85 dB (A) e le misure di protezione del suono sono necessari.	

ATTENZIONE: Indossare sempre protezioni per le orecchie, quando il livello sonoro supera i 85 dB (A) e limitare il tempo di esposizione, se necessario. Se i livelli sonori diventano sgradevoli, anche con le protezioni per le orecchie, smettere di usare lo strumento immediatamente e controllare che la protezione acustica sia montata correttamente e che fornisca il corretto livello di isolamento acustico per il livello del suono prodotto dal vostro strumento.

ATTENZIONE: L'esposizione dell'utente alle vibrazioni dell'utensile può causare la perdita del senso del tatto, intorpidimento, formicolio e riduzione della capacità di presa. Una lunga esposizione può portare ad una condizione cronica. Se necessario, limitare la durata di esposizione alle vibrazioni e utilizzare guanti anti-vibrazione. Non utilizzare l'utensile se la temperatura delle mani è al di sotto del normale, in quanto ciò farà sì che l'effetto delle vibrazioni sia maggiore. Utilizzare i dati forniti nella specifica relativa alle vibrazioni per calcolare la durata e la frequenza di funzionamento dell'utensile.

I livelli sonori e le vibrazioni nella specifica sono determinati secondo la EN60745 o simili standard internazionali. Le figure rappresentano un normale utilizzo per lo strumento in normali condizioni di lavoro. Un utensile tenuto in cattive condizioni, montato in modo errato o utilizzato in maniera impropria può essere causa di un aumento dei livelli sonori e delle vibrazioni. www.osha.europa.eu fornisce informazioni sui livelli sonori e delle vibrazioni nei luoghi di lavoro utili agli utenti domestici che utilizzano utensili per lunghi periodi di tempo.

Istruzioni generali di sicurezza

AVVERTENZA Leggere tutte le avvertenze di sicurezza e tutte le istruzioni. Il mancato rispetto delle avvertenze e delle istruzioni potrebbe causare scosse elettriche, incendi e/o gravi lesioni.

AVVERTENZA: L'apparecchiatura non è stata progettata per essere usata da persone (compresi bambini), con capacità fisiche o mentali ridotte o non in possesso dell'esperienza o delle conoscenze, eccetto nel caso in cui queste persone siano supervisionate o abbiano ricevuto istruzioni relativamente all'uso del dispositivo da parte di una persona responsabile della loro sicurezza. Sarà necessario supervisionare i bambini per verificare che non giochino col dispositivo.

Conservare tutte le avvertenze e le istruzioni di sicurezza per poterle consultare in futuro.

Il termine "dispositivo a corrente" nelle avvertenze riguarda gli attrezzi che fanno uso della corrente (con cavo) oppure di batterie (senza cavo).

1) Sicurezza dell'area di lavoro

a) Tenere l'area di lavoro pulita e ben illuminata. Le aree con oggetti collocati alla rinfusa o le aree buie possono essere fonte di incidenti.

b) Non usare i dispositivi alimentati a corrente in atmosfere esplosive, ad esempio alla presenza di liquidi infiammabili, gas o polveri. I dispositivi alimentati a corrente creano scintille che potrebbero accendere le polveri o i fumi.

c) Tenere i bambini e i passanti alla larga mentre vengono utilizzati dispositivi alimentati a corrente. Le distrazioni possono far perdere il controllo del dispositivo.

2) Sicurezza elettrica

a) Le spine dei dispositivi alimentati a corrente devono corrispondere alle prese di corrente. Non modificare mai la spina. Non usare adattatori con nessun dispositivo alimentato a corrente dotato di messa a terra (massa). L'uso di spine non modificate e prese adeguate ridurrà il rischio di scosse elettriche.

b) Evitare il contatto del corpo con superfici messe a terra quali ad esempio tubi, radiatori, fornelli e frigoriferi. Se il corpo dispone di una messa a terra, aumenta il rischio di scosse elettriche.

c) Non esporre gli accessori a pioggia o condizioni di umidità. Qualora dell'acqua dovesse entrare in un dispositivo alimentato a corrente, ciò aumenterà il rischio di scosse elettriche.

d) Non usare il cavo in modo anomalo. Non usare mai il cavo per trascinare, tirare o scollegare il dispositivo alimentato a corrente. Tenere il cavo lontano da fonti di calore, olio, spigoli appunti o parti mobili. I cavi danneggiati o impigliati aumentano il rischio di scosse elettriche.

e) Quando i dispositivi alimentati a corrente vengono usati all'aria aperta, usare una prolunga adeguata a tal fine. L'uso di un cavo idoneo per l'utilizzo all'aperto riduce il rischio di scosse elettriche.

f) Qualora non sia possibile non usare il dispositivo in zone umide, servirsi di una sorgente di alimentazione protetta da un dispositivo di corrente residua. L'uso di dispositivi di corrente residua riduce il rischio di scosse elettriche.

3) Sicurezza personale

a) Restare sempre attenti, osservare ciò che si sta facendo e applicare il buon senso ogni volta che viene utilizzato un dispositivo alimentato a corrente. Non usare questi dispositivi quando si è stanchi o sotto l'effetto di droghe, sostanze alcoliche o farmaci. Mentre si sta utilizzando un dispositivo alimentato a corrente, un momento di disattenzione può causare gravi lesioni personali.

b) Servirsi della strumentazione di protezione personale. Indossare sempre gli occhiali di protezione. L'uso di strumentazione di protezione personale, come ad esempio maschere anti-polvere, scarpe di sicurezza anti-scioglimento, elmetti rigidi o protezioni per l'udito, usate nelle condizioni adeguate, contribuiscono a limitare le lesioni personali.

c) Evitare l'avvio del dispositivo in modo non voluto. Verificare che l'interruttore sia in posizione OFF prima di eseguire il collegamento alla sorgente di alimentazione e/o al pacco batteria, sollevare o trasportare lo strumento. Trasportare dispositivi col dito appoggiato sul pulsante di alimentazione, o mettere in funzione dispositivi in fase di trasporto può causare incidenti.

d) Togliere eventuali chiavi di regolazione prima di accendere il dispositivo. Una chiave di regolazione fissata a una componente girevole del dispositivo può causare lesioni personali.

e) Non spingersi troppo oltre. Restare sempre ben appoggiati a terra con i piedi e in perfetto equilibrio. In questo modo sarà possibile garantire un miglior controllo del dispositivo in caso di situazioni impreviste.

f) Indossare indumenti adeguati. Non portare indumenti o gioielli slegati. Tenere i capelli, gli indumenti e i guanti lontani dalle parti in movimento. Vestiti, gioielli o capelli lunghi sciolti possono restare impigliati nelle parti in movimento.

g) Qualora i dispositivi vengano forniti per essere collegati con sistemi di estrazione e raccolta delle polveri, verificare che i summenzionati dispositivi siano vengano collegati e usati in modo adeguato. L'uso di sistemi per la raccolta delle polveri può causare pericoli legati alle polveri stesse.

4) Uso e manutenzione del dispositivo alimentato a corrente

a) Non applicare forza sul dispositivo alimentato a corrente. Usare il dispositivo alimentato a corrente adeguato per la propria applicazione. Il dispositivo alimentato a corrente funzionerà in modo migliore e più sicuro se usato per lo scopo per cui è stato realizzato.

b) Non utilizzare il dispositivo alimentato a corrente se l'interruttore non funziona correttamente spostandosi su on ed off. I dispositivi alimentati a corrente che non è possibile controllare mediante l'interruttore sono pericolosi e devono essere riparati.

c) Scollegare la spina dalla presa di corrente e/o il pacco batterie dal dispositivo prima di intervenire, modificare o riporre gli i dispositivi alimentati a corrente. Queste misure di sicurezza preventiva consentiranno di ridurre il rischio di avviare per sbaglio il dispositivo alimentato a corrente.

d) Riporre i dispositivi alimentati a corrente a riposo fuori dalla portata dei bambini; non consentire a persone che non hanno familiarità con gli stessi di servirsenne. I dispositivi alimentati a corrente sono pericolosi nelle mani di utenti non in possesso della formazione adeguata.

e) Manutenzione dei dispositivi alimentati a corrente. Controllare il mancato allineamento o l'inceppamento delle parti mobili, la rottura di altre componenti o altre condizioni che potrebbero influire sul funzionamento del dispositivo alimentato a corrente. Qualora sia danneggiato, far riparare il dispositivo alimentato a corrente prima dell'uso. Molti incidenti sono causati da dispositivi non regolarmente sottoposti a manutenzione.

f) Conservare gli strumenti di taglio affilati e puliti. Gli strumenti di taglio conservati in modo adeguato, con le estremità affilate hanno meno possibilità di incepparsi e sono più facili da controllare.

g) Usare il dispositivo alimentato a corrente, gli accessori e le punte, ecc. in conformità con queste istruzioni, prendendo in considerazione le condizioni lavorative e il lavoro da eseguire. L'uso dell'utensile per operazioni diverse da quelle indicate potrebbe causare situazioni di pericolo. Rivolgersi a un tecnico qualificato per la riparazione del dispositivo; servirsi unicamente di pezzi di ricambio

5) Assistenza

a) identici. In questo modo viene garantita la sicurezza dell'utensile.

Sicurezza del seghetto alternativo

AVVERTENZA: Prima di collegare un dispositivo a una sorgente di alimentazione (presa di corrente, presa, ecc.) verificare che la tensione corrisponda a quella indicata sulla targhetta del dispositivo. L'uso di una sorgente di alimentazione con tensione superiore a quella indicata per il dispositivo stesso può causare gravi lesioni all'utente oltre che danni al dispositivo stesso. In caso di dubbi, non collegare il dispositivo. L'uso di una sorgente di alimentazione con tensione inferiore a quella indicata sulla targhetta è dannoso per il motore.

- Tenere il dispositivo unicamente per le superfici di impugnatura isolate, quando si stanno eseguendo operazioni in cui l'accessorio di taglio potrebbe entrare in contatto col cablaggio nascosto o col cavo di alimentazione. Il contatto con un cavo "sotto tensione" trasmette la tensione anche alle parti metalliche esposte dell'attrezzo, e potrebbe dunque trasmettere una scossa elettrica all'operatore.

- Non allungarsi sotto al pezzo da sottoporre a lavorazione. Il dispositivo di protezione non può garantire protezione dalla lama sotto al pezzo da sottoporre a lavorazione.

- Non tenere mai in mano o fra le gambe il pezzo da sottoporre a lavorazione. Fissare il pezzo da sottoporre a lavorazione su una piattaforma stabile. Sarà importante sostenere il pezzo da sottoporre a lavorazione in modo corretto al fine di ridurre al minimo l'esposizione del proprio corpo, il blocco della lama o la perdita di controllo del dispositivo.

Per le opzioni di sicurezza relativamente a indumenti/strumentazione e pericoli di sicurezza generali relativi agli strumenti a corrente rimandiamo alla sezione Sicurezza Generale ed Elettrica del presente manuale

- Non consentire alle persone di età inferiore ai 18 anni di utilizzare questo accessorio.

- Verificare che vi sia un'illuminazione adeguata

- Stracci, indumenti, cavi, lacci, ecc. non vanno mai lasciati nelle immediate vicinanze dell'area di lavoro.

- Tenere l'area libera da eventuali ostacoli contro ai quali si potrebbe inciampare

- Ispezionare l'area ed eliminare tutti gli oggetti bloccati prima di iniziare il lavoro

- Supportare o fissare il pezzo da sottoporre a lavorazione al fine di ridurre le vibrazioni e garantire una buona operazione di taglio

- Cfr. la sezione specifiche tecniche del presente manuale per informazioni relativamente al tipo di lama corretto. L'uso di lame sbagliate potrebbe causarne il fessaggio non sicuro, il che a sua volta si traduce in un pericolo a livello di sicurezza

- Inserire solo lame in buone condizioni
- Qualora sia stato interrotto il funzionamento con la sega, completare il processo e spegnere il macchinario prima di distogliere lo sguardo
- Tenere le mani lontane dal lato inferiore del pezzo da sottoporre a lavorazione
- Verificare di usare una lama adatta per il materiale in fase di taglio. Verificare che tutti i supporti e i cavi siano ben distanziati dal percorso di taglio
- Qualora vi siano protezioni, verificare che siano in posizione
- Non esercitare pressione sul dispositivo. Lasciare che la lama tagli alla sua velocità. Ciò garantirà risultati migliori ottimizzando al tempo stesso la durata di vita dell'utensile.
- Prima di eseguire l'operazione di taglio verificare che vi sia spazio libero a sufficienza per la lama sotto al pezzo da sottoporre a lavorazione
- Tenere sempre la lama premuta contro il pezzo da sottoporre a lavorazione
- Non cercare di tagliare materiali più spessi rispetto a quelli indicati nella sezione dedicata alle specifiche tecniche del presente manuale
- Non forzare la piegatura o la rotazione della lama in fase di taglio
- Se un taglio non si estende fino all'estremità del pezzo da sottoporre a lavorazione, lasciare che la lama si fermi completamente prima di sollevarla dal pezzo da sottoporre a lavorazione
- Non usare le mani per togliere la segatura, i trucioli o gli scarti causati dalla lama
- Non allungarsi oltre la lama per togliere gli scarti o gli elementi tagliati
- Le lame si surriscaldano in fase di utilizzo. Lasciar raffreddare completamente prima di prendere in mano
- Qualora una lama si blocchi, scollegare la macchina dall'alimentazione prima di rilasciare la lama
- Controllare a intervalli regolari che tutti i dadi, bulloni e gli altri dispositivi di fissaggio, serrare ove necessario

Avvertenze d'uso e di sicurezza per attrezzi da taglio

AVVERTENZA. Prima di collegare un dispositivo a una sorgente di alimentazione (presa di corrente, presa, ecc.) verificare che la tensione corrisponda a quella indicata sulla targhetta del dispositivo. L'uso di una sorgente di alimentazione con tensione superiore a quella indicata per il dispositivo stesso può causare gravi lesioni all'utente oltre che danni al dispositivo stesso. In caso di dubbi, non collegare il dispositivo. L'uso di una sorgente di alimentazione con tensione inferiore a quella indicata sulla targhetta è dannoso per il motore.

Uso dello strumento di taglio corretto

- Verificare che lo strumento di taglio sia adatto per il lavoro da eseguire. Non ipotizzare l'idoneità dell'utensile senza aver prima verificato la documentazione accompagnatoria

Protezione degli occhi

- Indossare sempre protezioni per gli occhi adeguate in fase di utilizzo degli strumenti di taglio
- Gli occhiali non sono stati pensati per fornire protezione in fase di utilizzo del prodotto; le normali lenti da vista non resistono agli urti e si potrebbero frantumare

Protezione dell'udito

- Indossare sempre protezioni per l'udito adeguate, qualora il livello di rumore dello strumento superi gli 85dB

Protezione del sistema respiratorio

- Indossate sempre, e verificate che gli altri intorno a voi indossino sempre maschere protettive per il sistema respiratorio.

Protegetevi le mani

- Evitare che le mani si avvicinino alla ruota di taglio o alle lame. Servirsi di un bastoncino per i pezzi da lavorare più gli strumenti elettrici adeguati.

Prestare attenzione alle persone presenti durante l'utilizzo dell'utensile

- L'utente ha la responsabilità di verificare che le persone nelle immediate vicinanze dell'area di lavoro non siano esposte a rumori o polveri pericolosi, e che siano dotate della strumentazione di protezione adeguata.

Oggetti nascosti

- Ispezionare l'oggetto da sottoporre a lavorazione, togliere tutti i chiodi e gli altri oggetti eventualmente conficcati al suo interno prima di procedere con l'operazione di taglio.
- Non cercare di tagliare materiali che contengono oggetti conficcati a meno che non si sappia con certezza che il dispositivo di taglio fornito col dispositivo è idoneo per la tipologia di lavoro da eseguire.
- Le pareti possono nascondere cablaggi, tubazioni, i pannelli delle porte dell'auto possono celare linee carburante, e l'erba lunga può nascondere sassi e vetri. Controllare sempre tutta l'area di lavoro prima di procedere.

Fate attenzione agli scarti che schizzano via

- In alcune situazioni, gli scarti possono essere fatti schizzare via ad alta velocità dallo strumento di taglio. L'utente ha la responsabilità di garantire che le altre persone nell'area di lavoro siano protette dalla possibilità di scarti che schizzano via ad alta velocità.

Inserimento degli strumenti di taglio

- Verificare che gli strumenti di taglio siano inseriti in modo corretto e sicuro; verificare che le pinze / strumenti di regolazione vengano rimossi prima dell'uso.
- Servirsi unicamente di dispositivi di taglio consigliati per la propria macchina
- Non cercare di modificare i dispositivi di taglio
- Verificare che le lame siano affilate, in buone condizioni e inserite in modo adeguato
- Non cercare di affilare nuovamente le lame non adatte a tal fine; nello specifico si può trattare di lame speciali indurite o lame realizzate da leghe indurite che di norma contengono tungsteno
- Le lame che possono essere nuovamente affilate possono essere affilate una seconda volta unicamente in linea con le istruzioni del produttore. Le istruzioni potrebbero anche prevedere un numero limitato di operazioni di affilatura per la lama.
- Le lame affilate vanno attentamente esaminate prima dell'uso e sostituite immediatamente qualora si nutrano dubbi relativamente alle loro condizioni e idoneità per l'utilizzo.
- Qualora le lame incontrino oggetti per cui non risultano idonee, sarà opportuno procedere immediatamente alla loro sostituzione.

Direzione di inserimento

- Inserire il pezzo da sottoporre a lavorazione verso la lama o il cutter sempre in direzione contraria rispetto al movimento della lama o del cutter

Attenzione al calore

- Gli strumenti di taglio e i pezzi di lavoro si possono surriscaldare in fase di utilizzo. Non cercare di sostituire gli accessori prima che gli stessi si siano completamente raffreddati

Controllo polvere / sfrido

- Non consentire la formazione di polvere o sfridi. La segatura presenta pericolo d'incendio e gli sfridi di metallo sono pericolosi.
- Prestare in particolare modo attenzione in fase di taglio di legno e metalli. Le scintille che derivano dal taglio dei metalli sono una causa comune di incendio in presenza di polveri di legno.
- Ove possibile, servirsi di un sistema di estrazione delle polveri per garantire un ambiente di lavoro più sicuro

Acquisire familiarità col prodotto

1. Maniglia ausiliaria
2. Maniglia principale
3. Interruttore On/Off
4. Base
5. Coperchio base
6. Selettore modalità
7. Guida lama
8. Foro per la guida parallela
9. Inserti per le monopole di blocco guida
10. Asta per guardia
11. Rilascio guardia
12. Gruppo montaggio lama
13. Ventole del motore
14. Ghiera di velocità variabile
15. Vite di accesso spazzole
16. Blocco d'angolazione base

Accessori (non elencate):

- TJSBW10 Lama da taglio legno – Tagli curvati
- TJSBW06 Lama da taglio legno & plastica
- TJSBM21 Lama da taglio metallo
- Adattatore presa anti-polvere
- Guida parallela
- Manopole della guida parallela x 2
- Adattatore
- Sacchetto morbido

Destinazione d'uso

Seghetto a pendolo per lavori medi di tagli precisi dritti e curvi di legno, plastica e lamiera sottile (quando si usano le lame appropriate), si collega anche al sistema pista Triton per il taglio di corti tagli interni / tasca e ritagli con bordi dritti.

Disimballaggio dell'utensile

- Disimballare con attenzione il prodotto e procedere a un'ispezione. Acquisire familiarità con tutte le caratteristiche e funzioni
- Verificare che tutte le componenti del dispositivo siano presenti e in buone condizioni. Qualora eventuali componenti siano mancanti o danneggiate, provvedere alla sostituzione delle stesse prima di iniziare a usare il dispositivo

Prima dell'uso

AVVERTENZA: Verificare che il dispositivo sia scollegato dalla presa di corrente prima di fissare o sostituire eventuali accessori o eseguire eventuali regolazioni.

Guida della lama

- La Guida della Lama (7) è caricata a molla. A seconda della posizione del selettore modalità (6), la guida resta stazionaria (non-pendolare) oppure oscilla all'indietro e in avanti, facendo sì che la lama tagli con un'azione di tipo pendolare

Regolazione pendolare

- Modalità a pendolo consente un taglio più efficace dei materiali con la creazione di un taglio oscillante leggermente curvo. Ciò consente un taglio superiore in pezzi più spessi e mette il motore e la lama meno sollecitati in uso, consentendo una piccola quantità di gioco tra la lama e il pezzo in fase di taglio.

Il selettore di modalità (6) ha 4 posizioni:

- Posizione '0' seleziona il taglio normale senza azione a pendolo
- Le posizioni 1, 2 e 3 innestano il movimento pendolare. Questo fa sì che la lama oscilla leggermente avanti e indietro mentre taglia, aumentando l'efficienza di taglio
- Posizione 1 fornisce una minima azione del pendolo; posizione 3 fornisce la massima azione a pendolo
- Esperimento su un pezzo di materiale di scarto per determinare l'impostazione del pezzo dell'azione ottimale pendolo

IMPORTANTE: Non regolare la modalità del pendolo mentre il seghetto è in uso.

Regolare la base per il taglio a bisello

La base (4) ha 3 posizioni dentellati angolari (15°, 30° e 45°) sia a sinistra che a destra (Figura E):

1. Girare il seghetto a testa in giù e rilasciare il blocco di arresto angolazione base (16) tirando la leva (Figura D)
2. Regolare la base nella posizione desiderata (Figura F3). Stringere il blocco di arresto angolazione

NB: Per il lavoro preciso, fare una prova di taglio in materiale di scarto; controlla il taglio e regolare come necessario fino ad ottenere l'impostazione corretta.

NB: Se si desidera impostare un angolo alla base fuori delle posizioni dentellati, si basa esclusivamente sulla frizione / tensione e c'è un rischio che la base potrebbe muoversi in funzione. Una accurata regolazione del bullone di fissaggio della base può essere necessario (Figura I).

Adattatore della polvere

Si raccomanda che questo strumento viene utilizzato con un sistema di estrazione della polvere per un ambiente di lavoro pulito e più sicuro. Questo è particolarmente importante quando la tossicità del pezzo è sconosciuta, cioè rivestimenti superficiali vecchi compresi vernice o soluzioni di trattamento del legno sconosciuti.

- Le clip dell'adattatore della polvere (Figura N) nella parte posteriore della base permette un sistema di aspirazione o un aspirapolvere domestica deve essere collegata allo strumento per rimuovere la polvere mentre lo strumento è in uso

ATTENZIONE: Trucioli metallici generati dal taglio di lamiera possono innescare la polvere di legno residuo precedentemente raccolto nel sacco raccogli polvere o filtro. In tali circostanze, l'estrazione della polvere non è raccomandata per il taglio dei metalli al meno che non venga eliminato ogni rischio.

Cambiare una lama

1. Spegnere lo strumento a testa in giù in modo da poter accedere alla lama del seghetto (Figura D)
2. Estrarre la protezione della lama di rilascio (11) e rimuovere e sostituire la lama (Figura C3). Delicatamente consentono la protezione della lama di rilascio di tornare alla sua posizione normale
3. Controllare che la lama sia montata correttamente e le linee con la guida della lama (7)

NB: Se la lama è difficile da liberare mediante il controllo delle modifiche senza attrezzi lama, toccare molto leggermente l'estremità della lama con un mazzuolo di legno o simili. Ciò consentirà di liberare la lama che poi può essere rilasciata.

Montaggio di un coperchio della base

Il seghetto è fornito con un coperchio (5) ad obiettivo generale, che impedisce graffi e danni alla maggior parte delle superfici. Rivolgersi al proprio rivenditore per coperchi Triton ulteriori per altre superfici.

- Per rimuovere un coperchio della base, aggancia sul retro della base (4) e rimuovere dalla parte anteriore della base (Figura J)
- Per montare un coperchio della base, aggancia sulla parte anteriore della base e montare con un clic sopra la parte posteriore della base

Montaggio dell'adattatore

L'adattatore pista fornisce una guida parallela facile e precisa con il sistema di binari Triton per il taglio di corti tagli interni / tasca e ritagli con bordi dritti.

1. Le clip dell'adattatore sulla base (4) senza un coperchio della base (5) montato
2. Inserire la parte anteriore della base all'adattatore poi aggancia nella parte posteriore della base. Fissare con i raccordi previsti
3. L'adattatore si adatta sopra la traccia Triton come indicato (Figura P) per fornire un taglio dritto preciso e facile

Montaggio della guida parallela

La guida parallela si basa sul bordo del pezzo o altro bordo parallelo per fornire un taglio parallelo dritto sul pezzo.

1. Inserire le 2 ghiera delle guide parallele negli inserti per le ghiera di blocco guida (9) ma non serrare
2. Inserire la guida parallela nel foro della guida (8) dalla parte prescritta per il vostro taglio assicurandosi che la piastra di bordo guida parallela è rivolta verso il basso (Figura O)
3. Regolare alla lunghezza desiderata con le graduazioni sulla guida o altro dispositivo di misurazione
4. Serrare le manopole della guida parallela per fissare la guida parallela pronta per l'uso

Operazione

ATTENZIONE: Indossare sempre protezioni per gli occhi, le vie respiratorie e un'adeguata protezione acustica, così come guanti adatti, quando si lavora con questo strumento.

Regolazione della velocità di taglio

La velocità dell'utensile può essere prestabilito prima dell'uso e regolato durante l'uso, con il quadrante della velocità variabile (14) sul retro dell'utensile. Pre-impostazione della velocità consente all'operatore di concentrarsi sul controllo dell'utensile in modo sicuro utilizzando le due grandi maniglie, maniglia ausiliaria (1) e impugnatura principale (2). Velocità lama può essere regolata per adattarsi al materiale da tagliare. Questo migliora le prestazioni di taglio e salva la lama da indebita usura:

- Utilizzare la ghiera a velocità variabile (14) per impostare la velocità della lama

Accensione e spegnimento

1. Collegare lo strumento alla rete elettrica
2. Accendere lo strumento premendo l'interruttore on / off (3) in avanti e premere verso il basso la parte anteriore per bloccarlo in posizione di accensione (Figura A & B)
3. Premere verso il basso la parte posteriore dell'interruttore On / Off, che farà sì che l'interruttore a molla per passa immediatamente alla posizione di arresto

Eseguito un taglio

1. **ATTENZIONE:** Verificare che la protezione della lama di rilascio (11) guardia finestra e guardia ad asta lama (10) sono in buone condizioni e correttamente posizionate in modo da evitare che le dita toccando i denti della lama in uso
1. Posizionare la parte anteriore della base (4) sul bordo del pezzo (Figura M) e inizia la sega
2. Lasciare che la lama raggiunga la sua piena velocità prima di innestare il pezzo
3. Guidare lentamente il seghetto in avanti con entrambe le mani, mantenendo la base contro il pezzo
4. Non forzare la sega: consentono la lama e la sega per fare il lavoro. Usare solo una pressione sufficiente a mantenere la lama di taglio

Taglio a tasca e taglio circolare

- Quando si avvia un taglio all'interno di un pezzo in lavorazione, praticare un foro di 12 mm di diametro sul lato rifiuto del taglio per assicurarsi che ci sia spazio per la lama (Figura L)

- Quando si taglia curve strette, ridurre la velocità della sega (Figura K)

ATTENZIONE: Non spostare la sega in avanti lungo il suo taglio fino a quando la lama non si è completamente inserita il materiale e la scarpa si posa sulla sua superficie.

Utilizzando la guida parallela

- Utilizzare la guida parallela per guidare il seghetto alternativo lungo una linea retta, che può essere un bordo del pezzo o un pezzo di legno dritto ancorata al pezzo
- La guida è particolarmente utile per assicurare la coerenza nel taglio di strisce multiple da un unico pezzo di materiale

Taglio dei metalli

- Durante il taglio dei metalli, deve essere utilizzato un raffreddamento / olio da taglio adatto
- Applicare il lubrificante alla lama o il pezzo ad intervalli regolari durante il taglio in modo da ridurre l'usura della lama

Accessori

- Accessori per il vostro seghetto, tra cui lame per diversi tipi di materiali e tagli, sono disponibili presso il vostro rivenditore Triton. Pezzi di ricambio sono disponibili presso www.toolsparonline.com

Manutenzione

ATTENZIONE: Scollegare SEMPRE dalla rete elettrica prima di effettuare qualsiasi controllo, manutenzione o pulizia.

Ispezione generale

- Controllare regolarmente che tutte le viti di fissaggio siano serrate
- Controllare il cavo di alimentazione dell'utensile, prima di ogni utilizzo, per danni o usura. Le riparazioni devono essere effettuate da un centro di assistenza autorizzato Triton. Questo consiglio vale anche per i cavi di prolunga usati con questo strumento

Pulizia

ATTENZIONE: Indossare sempre i dispositivi di protezione tra cui occhiali e guanti protettivi durante la pulizia di questo strumento.

- Mantenere lo strumento pulito in ogni momento. Sporczia e polvere possono causare l'usura rapida delle parti interne, e riduce la durata del dispositivo
- Pulire il corpo della macchina con una spazzola morbida o un panno asciutto
- Non utilizzare agenti caustici per pulire le parti in plastica. Se lavaggio a secco non è sufficiente, si raccomanda un detergente delicato su un panno umido
- L'acqua non deve mai entrare in contatto con l'utensile
- Assicurarsi che lo strumento sia completamente asciutto prima di utilizzarlo
- Se disponibile, uso aria secca e pulita compressa e farla soffiare attraverso i fori di ventilazione (se del caso)

Lubrificazione

- Lubrificare leggermente tutte le parti in movimento a intervalli regolari con uno spray lubrificante adatto

Spazzole

- Nel corso del tempo le spazzole all'interno del motore possono usurarsi
 - Spazzole troppo usurate possono causare la perdita di potere, errore intermittente, o scintille visibili
1. Per sostituire le spazzole di carbone è necessario rimuovere le viti di accesso spazzole (15) ed estrarre delicatamente il coperchio sul retro dell'utensile
 2. Rimuovere la piccola vite (Figura G) e sollevare la cornice che mantiene la spazzola di circa 12 mm (1/2 ") poi rimuovere con attenzione il connettore elettrico (freccia nella figura H)
 3. Inserire il connettore con filo di rame attraverso il telaio, quando si rimuove la spazzola vecchia di carbone consumata
 4. Inserire il connettore e il filo della nuova spazzola attraverso il telaio prima di posizionare la nuova spazzola di carbone nel telaio
 5. Collegare il connettore elettrico (Figura H)
 6. Inserire con cura il telaio posteriore nel recesso e fissare con la vite
 7. Controllare visivamente che il telaio sia montato correttamente
 8. Ripetere i passaggi 2-7 per l'altra spazzola di carbone
 9. Rimontare il coperchio della base (5) e le viti di accesso spazzole assicurare che il cavo di rete non viene rilevato e il quadrante a velocità variabile (14) è allineato correttamente
 10. Rimuovere eventuali lame dallo strumento e collegarlo alla rete elettrica
 11. Eseguire lo strumento ad una velocità lenta inizialmente e quindi aumentare la velocità per garantire l'utensile funzioni correttamente
- In alternativa avere il vostro strumento di manutenzione in un centro di assistenza Triton

IMPORTANTE: Sostituire sempre spazzole di carbone in coppia.

Conservazione

- Conservare questo utensile con cura in un luogo sicuro, asciutto e lontano dalla portata dei bambini.

Smaltimento

Rispettare sempre le normative nazionali per lo smaltimento di elettrodomestici non più funzionali e non riparabili

- Non gettare elettrodomestici, batterie o altre apparecchiature elettriche ed elettroniche (RAEE) con i rifiuti domestici
- Contattare l'ente locale per lo smaltimento dei rifiuti e per informazioni sul modo corretto di disporre di elettrodomestici o batterie

Garanzia

Per la registrazione della garanzia visitare il sito web www.tritontools.com* e inserire i propri dettagli.

A meno che il proprietario non abbia specificato diversamente, i suoi dettagli saranno inclusi nella lista di distribuzione che sarà utilizzata per inviare regolarmente informazioni sulle novità Triton. I dati personali raccolti saranno trattati con la massima riservatezza e non saranno rilasciati a terze parti.

Informazioni sull'acquisto

Data di acquisto: ___ / ___ / ___

Modello N.: XXXXX Conservare lo scontrino come prova dell'acquisto

Dichiarazione di conformità CE

Il sottoscritto: Sig. Darrell Morris

come autorizzato da: Triton Tools

Dichiara che il prodotto:

Questa dichiarazione è stata emessa unicamente sotto alla responsabilità del produttore.

L'obiettivo della dichiarazione è in conformità con la Legislazione di Armonizzazione pertinente dell'Unione.

Codice di identificazione: XXXXX

Descrizione: XXXXX

Si conforma alle seguenti direttive:

- Direttiva macchine 2006/42/CE
- Direttiva bassa tensione 2014/35/UE
- Direttiva compatibilità elettromagnetica 2014/30/UE
- Direttiva RoHS 2011/65/UE
- Direttiva sul rumore all'aperto 2000/14/EC
- EN60745-1
- EN60745-2-1
- EN60745-2-2
- EN60335-1
- EN60335-2-29

Triton Precision Power Tools garantisce all'acquirente di questo prodotto che se qualsiasi parte si rivelasse difettosa a causa di materiali difettosi o di fabbricazione entro 3 ANNI dalla data di acquisto originale, Triton riparerà o sostituirà a sua discrezione, la parte difettosa gratuitamente.

Questa garanzia non si applica ad uso commerciale né si estende alla normale usura o danni a seguito di incidenti, abuso o uso improprio.

* Registrati entro 30 giorni.

Si applicano termini e condizioni.

Ciò non pregiudica i diritti legali

- EN 62233

Organismo informato: TÜV Rheinland Co., Ltd

La documentazione tecnica è mantenuta da: Triton Tools

Data: XXXXXX

Firma:



Signor Darrell Morris

Amministratore Delegato

Nome e indirizzo del fabbricante:

Powerbox International Limited, N°. Società 06897059. Indirizzo registrato:.

Powerbox Int. Ltd. Somerset, BA22 8HZ, Regno Unito.

Traducción del manual original

Introducción

Gracias por haber elegido esta herramienta Triton. Estas instrucciones contienen la información necesaria para utilizar este producto de forma segura y eficaz. Lea atentamente este manual para obtener todas las ventajas y características únicas de su nueva herramienta. Conserve este manual a mano y asegúrese de que todas las personas que utilicen esta herramienta lo hayan leído y entendido correctamente.

Descripción de los símbolos

Los siguientes símbolos pueden aparecer en la placa de características de su herramienta. Estos símbolos representan información importante sobre el producto o instrucciones relativas a su uso.



Lleve protección auditiva
Lleve protección ocular
Lleve protección respiratoria
Lleve un casco de seguridad



Lleve guantes de seguridad



Lea el manual de instrucciones



¡Peligro!



¡Peligro! Gases o humo tóxico



No utilizar en ambientes húmedos o bajo la lluvia



Desconecte siempre la herramienta de la toma eléctrica antes de realizar cualquier tarea de mantenimiento, sustituir accesorios o cuando no la esté utilizando.



ADVERTENCIA: Los mecanismos móviles de esta herramienta pueden causar cortes y lesiones personales



Protección clase II (doble aislamiento para mayor protección)



Protección medioambiental
Los productos eléctricos usados no se deben mezclar con la basura convencional. Están sujetos al principio de recogida selectiva. Solicite información a su ayuntamiento o distribuidor sobre las opciones de reciclaje.



Conforme a las normas de seguridad y la legislación correspondiente.

Abreviaturas de términos técnicos

V	Voltio/s	Hz	Hercio/s
~, AC	Corriente alterna	==>, DC	Corriente continua
A, mA	Amperio/s, milliamperio/s	W, kW	Vatio/s, kilovatio/s
n0	Velocidad sin carga	/min o min⁻¹	(Revoluciones/ oscilaciones) por minuto
n	Velocidad nominal	rpm	(Revoluciones/ oscilaciones) por minuto
opm	Órbitas/oscilaciones por minuto	dB(A)	Nivel de decibelios (Ponderada A)
°	Grados	m/s²	Metros cuadrados por segundo (vibración)
Ø	Diámetro		

Características técnicas

Tensión:	230 V, 50 Hz
Potencia de entrada:	750 W
Velocidad sin carga:	800 - 3.000 min ⁻¹
Longitud de carrera:	26 mm
Conector de la cuchilla:	Universal tipo bayoneta
Cuchillas suministradas:	Cuchilla para corte de madera: perfil plano, indicada para cortes curvados en maderas naturales y compuestas. Cuchilla para corte de madera: indicada para cortes longitudinales en maderas naturales, compuestas y plástico. Cuchilla para corte de metal: indicada para cortar metales ferrosos y no ferrosos.
Péndulo:	3 etapas
Ángulos de corte:	0°, 15°, 30° y 45° (izquierda y derecha)
Profundidad de corte:	
Madera: 1	110 mm
Aluminio:	25 mm
Acero:	10 mm
Dimensiones (L x An x A):	340 x 85 x 215 mm
Peso:	3,5 kg
Como parte de nuestra política de desarrollo de productos, los datos técnicos de los productos Triton pueden cambiar sin previo aviso.	
Información sobre ruido y vibración:	
Presión acústica L_{pa}:	80,9 dB(A)
Potencia acústica L_{wa}:	91,9 dB(A)
Incertidumbre K:	3 dB(A)
Vibración ponderada:	
Corte en madera:	13,2 m/s ²
Corte en metal:	13,8 m/s ²
Incertidumbre:	1,5 m/s ²
El nivel de intensidad sonora para el usuario puede exceder de 85 dB(A). Se recomiendan usar medidas de protección auditiva.	

ADVERTENCIA: Utilice siempre protección auditiva cuando el nivel ruido exceda 85 dB(A) o cuando esté expuesto durante largos periodos de tiempo. Si por algún motivo nota algún tipo de molestia auditiva incluso llevando orejeras de protección, detenga inmediatamente la herramienta y compruebe que las orejeras de protección estén colocadas adecuadamente. Asegúrese de que el nivel de atenuación y protección de las orejeras sea adecuado dependiendo del tipo de herramienta y el trabajo a realizar.

ADVERTENCIA: La exposición a la vibración durante la utilización de una herramienta puede provocar pérdida del sentido del tacto, entumecimiento, hormigueo y disminución de la capacidad de sujeción. La exposición durante largos periodos de tiempo puede provocar enfermedad crónica. Si es necesario, limite el tiempo de exposición a la vibración y utilice guantes anti-vibración. No utilice la herramienta cuando sus manos estén muy frías, las vibraciones tendrán un mayor efecto. Utilice los datos técnicos de su herramienta para evaluar la exposición y medición de los niveles de ruido y vibración.

Los niveles de vibración y ruido están determinados por la directiva EN60745 y otras directivas internacionales similares. Los datos técnicos se refieren al uso normal de la herramienta en condiciones normales. Una herramienta defectuosa, mal montada o desgastada puede incrementar los niveles de ruido y vibración. Para más información sobre ruido y vibración, puede visitar la página web www.osha.europa.eu

Instrucciones de seguridad relativas a las herramientas eléctricas

ADVERTENCIA: Lea siempre el manual de instrucciones y las advertencias de seguridad.

No seguir estas advertencias e instrucciones puede causar descargas eléctricas, incendios y/o lesiones graves.

ADVERTENCIA: No permita que los niños, personas discapacitadas o personas no cualificadas utilicen esta herramienta. Mantenga esta herramienta fuera del alcance de los niños.

Conserve estas instrucciones de seguridad para futura referencia.

La expresión "herramienta eléctrica" se refiere a su herramienta alimentada por corriente eléctrica (herramienta alámbrica) o una herramienta eléctrica alimentada por baterías (herramienta inalámbrica).

1) Seguridad en el área de trabajo

a) Mantenga el área de trabajo limpia y bien iluminada. Las áreas de trabajo desordenadas y oscuras son peligrosas y pueden provocar un accidente.

b) No utilice herramientas eléctricas en atmósferas explosivas que contengan líquidos, gases o polvos inflamables. Las herramientas eléctricas producen chispas que pueden encender el polvo o los vapores.

c) Mantenga alejados a los niños y personas que se encuentren a su alrededor mientras esté trabajando con una herramienta eléctrica. Las distracciones pueden hacerle perder el control de la herramienta.

2) Seguridad eléctrica

a) El enchufe de la herramienta eléctrica debe coincidir con la toma de corriente. No modifique nunca el enchufe de ninguna manera. No utilice ningún adaptador de enchufe sin toma de tierra. Los enchufes si modificar y el uso de tomas de corrientes adecuadas reducirán el riesgo de descargas eléctricas.

b) Evite el contacto con materiales conductores tales como tuberías, radiadores, estufas y refrigeradores. El riesgo de descarga eléctrica se incrementa si su cuerpo está expuesto a materiales conductores.

c) No exponga las herramientas eléctricas a la lluvia o la humedad. El contacto de agua en una herramienta eléctrica aumentará el riesgo de descargas eléctricas.

d) No doble el cable de alimentación. No use nunca el cable de alimentación para transportar la herramienta eléctrica, tirar de ella o desenchufarla. Mantenga el cable de alimentación alejado de fuentes de calor, aceite, bordes afilados o de las piezas móviles. Los cables de alimentación dañados o enredados aumentan el riesgo de descargas eléctricas.

e) Use un cable de extensión adecuado para exteriores cuando utilice una herramienta eléctrica en áreas exteriores. La utilización de un cable adecuado para exteriores reducirá el riesgo de descargas eléctricas.

fi) Si es inevitable trabajar con una herramienta eléctrica en lugares húmedos, use un suministro protegido por un interruptor diferencial o disyuntor por corriente diferencial o residual (RCD). El uso de un RCD reduce el riesgo de descargas eléctricas.

g) Cuando utilice esta herramienta en Australia o Nueva Zelanda, se recomienda conectar esta herramienta en tomas de corriente protegida con dispositivo de protección de corriente diferencial residual de 30 mA o inferior.

3) Seguridad personal

a) Manténgase alerta, fíjese en lo que está haciendo y use el sentido común cuando esté utilizando una herramienta eléctrica. No use una herramienta eléctrica si se encuentra cansado o bajo la influencia de drogas, alcohol o medicamentos. Un momento de distracción mientras está utilizando una herramienta eléctrica puede provocar lesiones corporales graves.

b) Utilice siempre equipo de protección personal. Use siempre protección ocular. El uso de dispositivos de seguridad personal (máscara anti-polvo, calzado de seguridad antideslizante, casco resistente y protecciones auditivas adecuadas) reducirá el riesgo de lesiones corporales.

c) Evite el arranque accidental. Asegúrese de que el interruptor esté en la posición de apagado antes de enchufar la herramienta. No transporte herramientas con el dedo en el interruptor o con el interruptor encendido, podría ocurrir un accidente.

d) Retire todas las llaves de ajuste antes de encender la herramienta eléctrica. Una llave enganchada en una parte móvil de la herramienta eléctrica puede causar lesiones graves.

e) No adopte posturas forzadas. Manténgase en posición firme y en equilibrio en todo momento. De este modo, podrá controlar mejor la herramienta eléctrica en situaciones inesperadas.

f) Vístase adecuadamente. No lleve ropa holgada ni joyas. Mantenga el pelo, la ropa y guantes alejados de las piezas móviles. La ropa holgada, las joyas o el pelo largo pueden quedar atrapados en las piezas móviles.

g) Cuando utilice esta herramienta en Australia o Nueva Zelanda, se recomienda conectar esta herramienta en tomas de corriente protegida con dispositivo de protección de corriente diferencial residual de 30 mA o inferior.

4) Uso y mantenimiento de las herramientas eléctricas

a) No fuerce la herramienta eléctrica. Utilice la herramienta eléctrica de forma adecuada. Utilice su herramienta únicamente para la tarea que haya sido destinada.

b) No use la herramienta eléctrica si el interruptor no la enciende o la apaga. Toda herramienta eléctrica que no se pueda controlar mediante el interruptor es peligrosa y debe ser reparada inmediatamente.

c) Desenchufe la herramienta o retire la batería antes de realizar cualquier ajuste, cambiar accesorios o almacenar la herramienta. Estas medidas de seguridad preventivas evitarán el arranque accidental de su herramienta eléctrica.

d) Guarde siempre las herramientas eléctricas fuera del alcance de los niños. No permita que las personas que no estén familiarizadas con estas instrucciones utilicen la herramienta. Las herramientas eléctricas son peligrosas en manos de personas que no estén capacitadas para su uso.

e) Revise regularmente sus herramientas eléctricas. Compruebe que no haya piezas en movimiento mal alineadas o trabadas, piezas rotas o cualquier otro problema que pueda afectar el funcionamiento de la herramienta eléctrica. Si hay alguna pieza dañada, repare la herramienta antes de volver a utilizarla. Muchos accidentes son causados por herramientas eléctricas que carecen de un mantenimiento adecuado.

f) Las herramientas de corte deben estar siempre afiladas y limpias. Las herramientas de corte correctamente afiladas son menos propensas a trabarse y son más fáciles de controlar.

g) Utilice la herramienta eléctrica y los accesorios siguiendo el manual de instrucciones y teniendo en cuenta las condiciones y el trabajo que necesite realizar. El uso de la herramienta eléctrica con un propósito distinto al cual ha sido diseñada, podría ser peligroso.

5) Mantenimiento y reparación

a) Repare siempre su herramienta eléctrica en un servicio técnico autorizado. Utilice únicamente piezas de recambio idénticas y homologadas. Esto garantizará su funcionamiento óptimo y seguro de su herramienta eléctrica.

Instrucciones de seguridad para sierras de calar

ADVERTENCIA: Antes de conectar esta herramienta a una fuente de alimentación (receptáculo de punto de alimentación de alimentación de red, toma eléctrica, etc.) asegúrese de que el suministro de voltaje sea el mismo que se especifica en la placa de datos de la herramienta. No conecte esta herramienta a una fuente con una tensión inadecuada, podría dañar gravemente la herramienta y al usuario. Si tiene alguna duda, no enchufe la herramienta. Utilizar una fuente con un voltaje inferior al valor nominal indicado en la placa de datos será perjudicial para el motor.

- Sujete la herramienta por las empuñaduras aisladas cuando utilice esta herramienta donde puedan haber cables bajo tensión ocultos. El contacto del accesorio con un cable bajo tensión podría provocar descargas eléctricas al usuario.

- Nunca se coloque debajo de la pieza de trabajo. El protector no podrá proteger su cuerpo por debajo de la pieza de trabajo.

- Nunca sujete la pieza de trabajo con las piernas o las manos. Sujete la pieza de trabajo en una plataforma estable. Es importante sujetar la pieza de trabajo firmemente para evitar lesiones accidentales y daños en la cuchilla de la herramienta.

Consulte la sección "Instrucciones de seguridad relativas a las herramientas eléctricas" de este manual para obtener más información relativa a los requisitos de seguridad, indumentaria adecuada y equipos de seguridad respecto a las herramientas eléctricas.

- No permita que ninguna persona menor de 18 años utilice esta herramienta.

- Asegúrese de que el área este suficientemente iluminada.

- No debe dejar nunca trapos, ropa, cuerda, cable o similares alrededor de la zona de trabajo.

- Mantenga el área de trabajo libre de obstáculos.

- Inspeccione la pieza de trabajo y retire clavos u otros elementos antes de comenzar el trabajo.

- Sujete siempre la pieza de trabajo sobre una superficie estable y segura.

- Lea las especificaciones de su fabricante para elegir el tipo de cuchilla correcta. Utilizar cuchillas incorrectas puede provocar daños al usuario.

- Utilice solamente cuchillas que estén en buen estado.

- Las herramientas eléctricas deben siempre sujetarse por las empuñaduras aisladas para evitar cualquier riesgo de descarga eléctrica.

- Si se le interrumpe mientras trabaja con la sierra, complete el proceso y apague la herramienta antes de continuar.

- Mantenga las manos alejadas de la cuchilla.

- Asegúrese de que esté utilizando la cuchilla adecuada para la tarea a realizar. Asegúrese que todos los cables/soportes estén fuera de la trayectoria de corte.

- Utilice los protectores siempre que sea necesario.
- No presione excesivamente la herramienta. Deje que la cuchilla corte sin forzarla. Obtendrá mejores resultados y alargará la vida útil de su herramienta.
- Antes de cortar, compruebe que haya espacio suficiente por debajo de la pieza de trabajo.
- Mantenga siempre el pie colocado sobre la pieza de trabajo si es necesario.
- No intente cortar material con un grosor superior al especificado en este manual.
- No intente empujar la sierra hacia los lados cuando esté cortando.
- Si el corte no puede llegar hasta el borde de la pieza de trabajo o la cuchilla se dobla, deje que la cuchilla se detenga completamente y retire la herramienta de la pieza de trabajo.
- No utilice las manos para limpiar la cuchilla.
- No coloque las manos por encima de la cuchilla para retirar la pieza cortada.
- Las cuchillas se calientan durante el uso. Deje que se enfrien completamente antes de sustituir las.
- Si la cuchilla se mueve excesivamente, desconecte la herramienta de la toma de corriente antes de sustituirla.
- Compruebe regularmente que todas las tuercas, pernos y otras fijaciones estén bien apretados.

Instrucciones de seguridad para herramientas de corte

ADVERTENCIA: Antes de conectar esta herramienta a la red eléctrica, asegúrese de que la tensión eléctrica sea la misma que la especificada en la placa de datos indicada en esta herramienta. No conecte esta herramienta a una fuente con una tensión inadecuada, podría dañar gravemente la herramienta y al usuario. Si tiene alguna duda, no enchufe la herramienta. Utilizar una fuente con un voltaje inferior al valor nominal indicado en la placa de datos será perjudicial para el motor.

Use la herramienta de corte adecuada

- Asegúrese de que la herramienta de corte sea la adecuada para el trabajo a realizar. No utilice esta herramienta sin haber leído antes toda la documentación suministrada con el producto.

Protéjase los ojos

- Póngase protección adecuada cuando utilice herramientas de corte.
- Las gafas convencionales no están diseñadas para usar con este producto. Este tipo de gafas no son resistentes a los impactos, usarlas podría causarle lesiones graves.

Protéjase los oídos

- Utilice siempre protección acústica adecuada cuando el ruido producido por la herramienta supere los 80 dB.

Protéjase las vías respiratorias

- Asegúrese de que el usuario, así como las personas de su alrededor, utilicen siempre mascarillas adecuadas contra el polvo.

Protéjase las manos

- Nunca coloque sus manos cerca del accesorio de corte. Utilice siempre empujadores cuando vaya a cortar piezas de trabajo pequeñas.

Tenga en cuenta a las personas que le rodean

- Es responsabilidad del usuario asegurarse de que las personas próximas al área de trabajo no estén expuestas al ruido o al polvo excesivo. Asegúrese de que todas las personas que se encuentren cerca del área de trabajo lleven equipo protector adecuado.

Objetos ocultos

- Inspeccione el material a cortar y asegúrese de que no hay objetos extraños (clavos, etc.) antes de empezar a cortar.
- No corte ningún material que tenga objetos extraños, excepto si está seguro de que el accesorio de corte montado en la máquina es adecuado para ello.
- En las paredes puede haber cables y tuberías no visibles, los paneles de la carrocería de los vehículos pueden esconder tubos de combustible, y en la hierba crecida puede haber piedras y trozos de cristal. Inspeccione siempre a fondo la zona de trabajo antes de empezar a cortar.

Atención al material que sale despedido

- En algunas situaciones, el material puede salir despedido de la herramienta de corte a gran velocidad. Asegúrese de que no haya otras personas en la zona de trabajo. Si es necesaria la presencia de otras personas, es responsabilidad del usuario asegurarse de que lleven equipo protector adecuado.

Montaje de los accesorios de corte

- Asegúrese de que los accesorios de corte estén montados correctamente y de retirar las llaves o ajustadores antes de empezar a cortar.
- Use sólo los accesorios de corte recomendados para su máquina.
- No intente modificar los accesorios de corte.
- Asegúrese de que las hojas/cuchillas estén afiladas y colocadas firmemente.
- Nunca intente afilar cuchillas que no estén diseñadas para volver a afilarse, incluso hojas/cuchillas fabricadas en aleaciones endurecidas con carburo de tungsteno.
- Afile la hoja/cuchilla de acuerdo con las indicaciones del fabricante, incluido el número de veces que se puedan afilar.
- Inspeccione siempre las hojas/cuchillas recién afiladas antes de utilizarlas. Sustitúyala si es necesario.
- Sustituya inmediatamente la hoja/cuchilla si esta queda atrapada por un objeto durante el corte.

Dirección de corte

- Introduzca el material a cortar hacia la hoja o cortadora, y sólo en sentido contrario al movimiento de la cuchilla o cortadora.

Tenga cuidado con las partes calientes

- Recuerde que los accesorios de corte y el material a cortar pueden calentarse durante el uso. No intente cambiar los accesorios hasta que se hayan enfriado completamente.

Control de polvo y residuos

- No deje que se acumulen el polvo o las virutas. El aserrín supone un riesgo de incendio y algunas virutas metálicas pueden ser explosivas.
- Tenga mucha precaución cuando corte madera y metal. Las chispas que produce el corte de metal son causa habitual de incendios producidos donde hay serrín.
- Siempre que sea posible, use un sistema de extracción de polvo para asegurarse de que trabaja en un entorno seguro.

Características del producto

1. Empuñadura auxiliar
2. Empuñadura
3. Interruptor de encendido/apagado
4. Base
5. Tapa de la base
6. Selector de función
7. Guía de la cuchilla
8. Ranura para la guía paralela
9. Orificios para las perillas de bloqueo de la guía paralela
10. Soporte para el protector de la cuchilla
11. Mecanismo de liberación del protector
12. Soporte para la cuchilla
13. Ranuras de ventilación
14. Selector de velocidad
15. Tornillo de acceso a las escobillas
16. Palanca de ajuste del ángulo de la base

Accesorios (no mostrados):

- TJSBW10 Cuchilla para cortes curvados en madera
- TJSBW06 Cuchilla para corte de madera y plástico
- TJSBM21 Cuchilla para corte de metal
- Adaptador para extracción de polvo
- Guía paralela
- 2 perillas de ajuste para la guía paralela
- Adaptador para carril
- Bolsa de transporte

Aplicaciones

Sierra de calar con acción pendular y velocidad variable. Indicada para cortar madera, plástico y chapas metálicas (utilizando las cuchillas correspondientes). Compatible con carriles Triton para realizar cortes longitudinales.

Desembalaje

Desembale e inspeccione la herramienta con cuidado. Familiarícese con todas sus características y funciones. Asegúrese de que el embalaje incluya todas las piezas y compruebe que estén en buenas condiciones. Si faltan piezas o están dañadas, sustitúyalas antes de utilizar esta herramienta.

Antes de usar

⚠️ ADVERTENCIA: Desconecte siempre la herramienta de la toma de corriente antes de cambiar o sustituir cualquier accesorio.

Guía de la cuchilla

La guía de la cuchilla (7) está accionada por resorte. Dependiendo de la posición del selector de función (6), la guía permanecerá parada (sin péndulo) u oscilará hacia atrás y hacia delante, haciendo que la cuchilla corte con un movimiento pendular.

Ajuste del péndulo

El modo de ajuste pendular está especialmente indicado para realizar cortes curvados. Esta función le permitirá realizar cortes en maderas gruesas sin tener que sobrecargar la cuchilla o el motor de la herramienta.

El selector de función (6) tiene 4 posiciones:

- La primera posición "0" selecciona el corte normal sin acción de péndulo.
- Las siguientes 3 posiciones (1, 2 y 3) hacen que la cuchilla se balancee ligeramente hacia atrás y hacia delante a medida que corta. Estas acciones de péndulo aumentan la eficacia del corte.
- Ajuste la palanca de péndulo (7) a uno de los tres ajustes (1, 2 o 3) según el grado de acción de péndulo requerido.
- Practique antes en un trozo de material desechable para determinar el ajuste óptimo más adecuado para la tarea a realizar.

IMPORTANTE: Nunca ajuste el modo pendular con la herramienta en funcionamiento.

Ajuste de la base para cortes a bisel

La base (4) puede ajustarse entre 3 posiciones diferentes (15°, 30° y 45° - izquierda y derecha) (imagen E):

1. Para ajustar el ángulo de corte, primero coloque la sierra de calar boca abajo y tire de la palanca de ajuste del ángulo de la base (16) (imagen D).
2. Ajuste la base en la posición requerida (imagen F)

Nota: Para obtener un corte preciso es necesario realizar un corte de prueba, medir la pieza de trabajo y ajustar la herramienta hasta conseguir el ajuste correcto.

Nota: Para ajustar la base en un ángulo que no esté predeterminado deberá utilizar el tornillo de sujeción de la base (imagen I). Esto evitará que la base se pueda mover durante el uso de la herramienta.

Adaptador para la extracción de polvo

Utilice un sistema de extracción de polvo para mantener un entorno de trabajo limpio y seguro. Tenga en cuenta que algunos materiales pueden contener restos de sustancias tóxicas.

- El adaptador para la extracción de polvo (imagen N) permite conectar un sistema de extracción de polvo o una aspiradora doméstica para eliminar el polvo mientras la herramienta esté en funcionamiento.

⚠️ ADVERTENCIA: Utilice siempre un sistema de extracción de polvo cuando corte metal. Las chispas producidas pueden incendiar el polvo fácilmente. No se recomienda utilizar una bolsa para polvo cuando vaya a realizar cortes en metal.

Sustitución de una cuchilla

1. Gire la sierra hacia arriba de forma que pueda acceder a la cuchilla de la sierra de calar (imagen D).
2. Retire el mecanismo de liberación de la cuchilla (11) para sustituir la cuchilla (imagen C).
3. Coloque lentamente el mecanismo de liberación de la cuchilla en su posición original.
4. Asegúrese de que la cuchilla esté alineada correctamente sobre la guía para la cuchilla (7).

Nota: Si tiene dificultades para sacar la cuchilla, golpee ligeramente el extremo de la cuchilla con un martillo de madera. Esto liberará la cuchilla para que pueda sustituirla.

Montaje de la tapa de la base

Esta herramienta dispone de una tapa de protección para la base (5). Esto evitará que la base se pueda dañar al realizar un corte. Contacte con su distribuidor Triton para informarse sobre otras bases compatibles con esta herramienta.

- Retire la tapa a través de la parte posterior de la base (4) (imagen J).
- Coloque la tapa de protección a través de la parte posterior de la base.

Montaje del adaptador para carril

El adaptador para carril le permitirá utilizar carriles Triton para realizar diversos tipos de cortes longitudinales.

1. El adaptador para carril debe colocarse en la base (4) de la herramienta. Para ello deberá retirar la tapa de la base (5).
2. Coloque la parte frontal de la base en el adaptador para carril. A continuación coloque la parte posterior.
3. El adaptador para carril debe colocarse tal y como se muestra en la (imagen P).

Montaje de la guía paralela

La guía paralela sirve para guiar la pieza de trabajo durante cortes longitudinales.

1. Coloque las 2 perillas de bloqueo de la guía paralela en los orificios roscados (9). No la apriete completamente.
2. Introduzca la guía paralela en la ranura para la guía paralela (8). Asegúrese que el borde de la placa de la guía paralela esté mirando hacia abajo (imagen O).
3. Utilice las graduaciones marcadas para ajustar la longitud de la guía paralela.
4. Apriete las perillas para la guía paralela.

Funcionamiento

⚠️ ADVERTENCIA: Utilice siempre equipo de protección adecuado, incluido protección ocular, respiratoria y auditiva, cuando trabaje con esta herramienta.

Ajuste de la velocidad de corte

La velocidad de la herramienta puede ajustarse antes de comenzar el corte o durante el uso. Utilice el selector de velocidad (14) para ajustar la herramienta a la velocidad requerida. Los ajustes de velocidad prefijados le permitirán controlar la herramienta mediante la empuñadura auxiliar (1) y empuñadura (2) de forma segura. La función de velocidad variable de esta herramienta mejora el rendimiento del corte y evita que la cuchilla sufra un desgaste excesivo.

- Gire el selector de velocidad (14) para ajustar la velocidad de la herramienta.

Encendido/apagado

1. Conecte la herramienta en la toma de corriente.
2. Encienda la herramienta pulsando y deslizando el interruptor de encendido/apagado (3) hacia delante (imagen A y B).
3. Apriete de nuevo el interruptor de encendido/apagado hacia abajo para detener la herramienta.

Realizar un corte

ADVERTENCIA: El protector de la cuchilla (11) y el soporte del protector (10) deben estar colocados adecuadamente y en buen estado de funcionamiento.

1. Coloque la parte frontal de la base de base (4) en el borde de la pieza de trabajo (imagen M) y encienda la sierra.
2. Deje que la cuchilla alcance su velocidad máxima.
3. Guíe lentamente la sierra de calar hacia delante utilizando ambas manos, manteniendo la base plana contra la pieza de trabajo.
4. Nunca fuerce la sierra de calar. Presione ligeramente solamente para mantener guiar la cuchilla durante el corte. No fuerce el corte; deje que la cuchilla y la sierra hagan el trabajo.

Cortes cerrados y circulares

- Cuando inicie un corte desde el centro de una pieza de trabajo, deberá realizar antes un agujero con diámetro 12 mm para poder introducir la cuchilla (imagen L).
- Reduzca la velocidad de la sierra cuando corte curvas cerradas (imagen K).

ADVERTENCIA: No mueva la sierra hacia delante hasta que la cuchilla se haya introducido completamente en el material y la zapata esté apoyada sobre su superficie de trabajo.

Guía paralela

- La guía paralela se utiliza para guiar la sierra de calar a lo largo de una línea recta que puede ser un borde de la pieza de trabajo o un trozo de madera recta sujeta a la pieza de trabajo.
- Cambiando la posición de la guía y utilizando el mismo borde recto como guía, le permitirá realizar cortes paralelos de forma rápida y precisa.

Corte en metal

- Al cortar metales, debe utilizarse fluido refrigerante /corte adecuado.
- Lubrique la cuchilla o pieza de trabajo a intervalos regulares durante el corte para reducir el desgaste en la cuchilla.

Accesorios

- Existen gran variedad de accesorios y cuchillas para cortar diferentes materiales disponibles en su distribuidor Triton más cercano o a través de www.toolspareonline.com

Mantenimiento

⚠️ ADVERTENCIA: Desconecte siempre la herramienta de la toma eléctrica antes de realizar cualquier tarea de mantenimiento o limpieza.

Inspección general

- Compruebe regularmente que todos los tornillos y elementos de fijación estén bien apretados. Con el paso del tiempo pueden vibrar y aflojarse.
- Inspeccione el cable de alimentación antes de utilizar esta herramienta y asegúrese de que no esté dañado. Las reparaciones deben realizarse por un servicio técnico Triton autorizado.

Limpieza

ADVERTENCIA: Utilice SIEMPRE guantes y protección ocular cuando limpie esta herramienta.

- Mantenga la herramienta siempre limpia. La suciedad y el polvo pueden dañar y reducir la vida útil su herramienta.
- Utilice un cepillo suave o un paño seco para limpiar la herramienta.
- Nunca utilice agentes cáusticos para limpiar las piezas de plástico. Se recomienda utilizar un paño humedecido con un detergente suave.
- Nunca deje que el agua entre en contacto con la herramienta.
- Asegúrese de que la herramienta esté completamente seca antes de utilizarla.
- Si dispone de un compresor de aire comprimido, sople con aire seco y limpio para limpiar los orificios de ventilación.

Lubricación

- Aplique regularmente spray lubricante en las piezas móviles.

Sustitución de las escobillas

- Con el tiempo, las escobillas de carbono del motor se desgastarán.
- Si las escobillas se han desgastado excesivamente, el rendimiento del motor puede disminuir, la herramienta tal vez no arranque o quizás observe una excesiva presencia de chispas.
- Si sospecha que las escobillas pueden estar desgastadas, lleve la herramienta a un servicio técnico autorizado Triton.

Sustitución de las escobillas

- Con el tiempo, las escobillas de carbono del motor se desgastarán.
 - Si las escobillas se han desgastado excesivamente, el rendimiento del motor puede disminuir, la herramienta tal vez no arranque o quizás observe una excesiva presencia de chispas.
1. Para sustituir las escobillas, retire los tornillos de la tapa de acceso a las escobillas (15) situados en la parte posterior de la herramienta.
 2. Retire el tornillo pequeño (imagen G) y levante el soporte que sujeta las escobillas (aprox.

12 mm). A continuación retire el conector (indicado en la imagen H).

3. Empuje el conector con cable de cobre a través del soporte mientras retira la escobilla de carbón desgastada.
 4. Coloque el conector y el cable de la nueva escobilla a través del soporte antes de instalar la escobilla.
 5. Coloque el conector eléctrico (imagen H).
 6. Coloque el soporte en sus ranuras de montaje y apriételo utilizando el tornillo de sujeción.
 7. Compruebe que el soporte esté correctamente colocado.
 8. Repita los pasos 2 – 7 para la sustituir la otra escobilla.
 9. Vuelva a colocar la base (5) y el tornillo de la tapa de las escobillas. Compruebe que el cable de alimentación no esté atrapado y que el selector de velocidad (14) esté correctamente alineado.
 10. Desmonte las cuchillas y conecte la herramienta en la toma de corriente.
 11. Encienda la herramienta y déjela funcionar a velocidad lenta. A continuación aumente la velocidad y compruebe que el motor funcione correctamente.
- Si tiene dudas sobre como sustituir las escobillas, lleve la herramienta a un servicio técnico autorizado.

IMPORTANTE: Sustituya siempre las escobillas de carbón simultáneamente.

Almacenaje

- Guarde esta herramienta y accesorios en un lugar seco y seguro fuera del alcance de los niños.

Reciclaje

Deshágase siempre de las herramientas eléctricas adecuadamente respetando las normas de reciclaje indicadas en su país.

- No deseche las herramientas y aparatos eléctricos junto con la basura convencional. Recíclelos siempre en puntos de reciclaje.
- Póngase en contacto con la autoridad local encargada de la gestión de residuos para obtener más información sobre cómo reciclar este tipo de herramientas correctamente.

Garantía

Para registrar su garantía, visite nuestra página Web en www.tritontools.com* e introduzca sus datos personales.

Estos datos serán incluidos en nuestra lista de direcciones (salvo indicación contraria) de manera que pueda recibir información sobre nuestras novedades. Sus datos no serán cedidos a terceros.

Recordatorio de compra

Fecha de compra: ___/___/___

Modelo: XXXXX Conserve su recibo como prueba de compra.

Declaración de conformidad CE

El abajo firmante: Mr Darrell Morris

Autorizado por: Triton Tools

Declara que el producto:

La presente declaración de conformidad se expide bajo la exclusiva responsabilidad del Fabricante. El objeto de la declaración descrita anteriormente es conforme a la legislación comunitaria de armonización pertinente.

Código de identificación: XXXXX

Descripción: XXXXX

Está en conformidad con las directivas:

- Directiva de máquinas 2004/108/CE
- Directiva de baja tensión 2014/35/UE
- Compatibilidad electromagnética 2014/30/UE
- Directiva RoHS 2004/95/UE
- Directiva de emisiones sonoras debidas a las máquinas de uso al aire libre
- EN60745-1
- EN60745-2-1
- EN60745-2-2
- EN60335-1
- EN60335-2-29

Las herramientas Triton disponen de un período de garantía de 3 años. Para obtener esta garantía, deberá registrar el producto online en un plazo de 30 días contados a partir de la fecha de compra. Si durante ese período apareciera algún defecto en el producto debido a la fabricación o materiales defectuosos, Triton se hará cargo de la reparación o sustitución del producto adquirido. Esta garantía no se aplica al uso comercial por desgaste de uso normal, daños accidentales o por mal uso de esta herramienta.

* Registre el producto online en un plazo de 30 días contados a partir de la fecha de compra.

Se aplican los términos y condiciones.

Esto no afecta a sus derechos legales como consumidor.

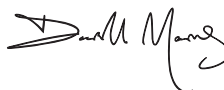
- EN 62233

Organismo notificado: TÜV Rheinland Co., Ltd

La documentación técnica se conserva en: Triton Tools

Fecha: XX/XX/XX

Firma:



Mr Darrell Morris

Director General

Nombre y dirección del fabricante:

Powerbox International Limited, Nº de registro: 06897059. Dirección legal: Central House,

Powerbox Int. Ltd. Somerset, BA22 8HZ, Reino Unido.

Tradução das instruções originais

Introdução

Obrigado por comprar esta ferramenta Triton. Este manual contém as informações necessárias para a operação segura e eficiente deste produto. Este produto apresenta recursos exclusivos, e mesmo que você esteja familiarizado com produtos similares, é necessário ler o manual cuidadosamente para garantir que as instruções sejam totalmente entendidas. Assegure-se de que todos os usuários desta ferramenta leiam e compreendam totalmente o manual.

Descrição dos símbolos

A placa de identificação de sua ferramenta poderá apresentar alguns símbolos. Estes indicam informações importantes sobre o produto, ou instruções sobre seu uso.



Use proteção auricular
Use proteção ocular
Use proteção respiratória
Use proteção de cabeça



Use proteção nas mãos



Leia o manual de instruções



Cuidado!



Fumaças ou gases tóxicos!



NÃO use sob chuva ou em ambientes úmidos!



Desconecte sempre da tomada elétrica, quando for fazer ajustes, trocar acessórios, limpar, efetuar manutenção ou quando não estiver em uso!



AVISO: A movimentação das peças tem o risco de causar ferimentos por corte ou esmagamento.



Construção de classe II (isolamento duplo para proteção adicional)



Proteção ambiental
O descarte de produtos elétricos não deve ser feito no lixo doméstico. Faça a reciclagem em locais próprios para isso. Consulte as autoridades locais ou seu revendedor para saber como reciclar.



Cumpra a legislação e os padrões de segurança aplicáveis.

Abreviações Técnicas

V	Volts	Hz	Hertz
~, AC	Corrente alternada	==>, DC	Corrente contínua
A, mA	Ampere, miliampere	W, kW	Watt, Quilowatt
n0	Velocidade sem carga	/min ou min⁻¹	Operações por minuto
n	Velocidade nominal	rpm	Rotações por minuto
opm	Órbitas ou oscilações por minuto	dB(A)	Nível sonoro, em decibéis (A ponderado)
spm	Golpes por minuto	m/s²	Metros por segundo ao quadrado (magnitude de vibração)
°	Graus		
Ø	Diâmetro		

Especificação

Voltagem:	230V~, 50 Hz
Potência:	750W
Velocidade sem carga:	800 a 3000 min ⁻¹
Curso:	26 mm
Instalação da lâmina:	Haste em T
Lâminas fornecidas:	Lâmina para madeira: perfil baixo, cortes curvos em madeira (madeiras naturais e compostos madeira-plástico) Lâmina para madeira: cortes retos rápidos em madeira (natural e composta) plástica Lâmina para metais: corta metais ferrosos e não ferrosos
Pêndulo:	3 estágios
Faixa do ângulo de corte:	0°, 15°, 30° e 45° (esquerda e direita)
Profundidade de corte em:	
Madeira:	110 mm
Alumínio:	25 mm
Aço:	10 mm
Dimensões (C x L x A):	340 x 85 x 215 mm
Peso:	3,5 kg
Como parte do desenvolvimento de nossos produtos, as especificações da Triton podem ser alteradas sem aviso.	
Informações sobre ruído e vibração	
Pressão sonora L_{pk}:	80,9 dB(A)
Potência sonora L_{wa}:	91,9 dB(A)
Incerteza K:	3 dB
Vibração ponderada típica:	
Corte em madeira:	13,2 m/s ²
Corte de folha metálica:	13,8 m/s ²
Incerteza:	1,5 m/s ²
O nível de intensidade sonora para o operador poderá ultrapassar 85 dB(A) e, por isso, são necessárias medidas de proteção.	

AVISO: Use sempre proteção auditiva apropriada, quando o ruído da ferramenta ultrapassar 85dB(A), e limite o tempo de exposição ao mínimo necessário. Caso os níveis de ruído se tornem desconfortáveis, mesmo com proteção auditiva, pare imediatamente de usar a ferramenta e verifique se a proteção auditiva está ajustada de forma correta, de modo prover a atenuação sonora correta, para o nível de ruído produzido pela ferramenta.

AVISO: A exposição do usuário à vibração da ferramenta pode resultar em perda de sentido do tato, dormência, formigamento e diminuição da capacidade de agarrar. A exposição por longo prazo pode levar a uma condição crônica. Caso necessário, limite o período de tempo que fica exposto à vibração e use luvas antivibração. Não use a ferramenta com as mãos expostas a uma temperatura abaixo da temperatura normal confortável, uma vez que a vibração tem mais impacto nessa condição. Use os valores fornecidos na especificação relativa a vibrações, para calcular a duração e frequência de uso da ferramenta.

Os níveis sonoros e de vibração da especificação são determinados de acordo com a norma EN60745, ou por padrão internacional similar. Os valores consideram o uso normal da ferramenta, sob condições de trabalho normais. Uma ferramenta montada, mantida ou usada incorretamente, poderá produzir níveis de ruído, e de vibração, superiores.

O site: www.osha.europa.eu fornece mais informações sobre níveis de vibração e ruído em locais de trabalho, e pode ser útil para usuários domésticos que usam ferramentas por longos períodos de tempo.

Segurança geral

AVISO Leia todos os avisos de segurança e todas as instruções. O descumprimento dos avisos e instruções pode resultar em choque elétrico, incêndio e/ou ferimentos graves.

AVISO: Este equipamento não foi projetado para ser usado por pessoas (inclusive crianças) com capacidade física ou mental reduzida, ou sem experiência ou conhecimento, exceto se estiverem sob supervisão ou houverem recebido instruções relativas ao uso do equipamento pela pessoa responsável por sua segurança. As crianças devem ser supervisionadas para garantir que não brinquem com o equipamento.

Guarde todos os avisos e instruções para consulta futura.

O termo "ferramenta elétrica", nos avisos, se refere a uma ferramenta elétrica que usa alimentação da rede (com cabo elétrico) ou uma bateria (sem cabo elétrico).

1) Segurança na área de trabalho

a) Mantenha a área de trabalho limpa e bem iluminada. Áreas desorganizadas ou escuras facilitam os acidentes.

b) Não opere ferramentas elétricas em atmosferas explosivas, como na presença de líquidos, gases ou serragens inflamáveis. Ferramentas elétricas produzem faíscas que podem inflamar a serragem ou os gases.

c) Mantenha as crianças e observadores à distância, quando operar ferramentas elétricas. Distrações podem fazer você perder o controle.

2) Segurança elétrica

a) O plugue de tomada da ferramenta deve ser compatível com a tomada de parede.

Nunca modifique um conector, de maneira alguma. Nunca use conectores adaptadores em ferramentas elétricas com fio terra (aterradas). Conectores sem modificações e tomadas corretas reduzem o risco de choques elétricos.

b) Evite o contato de seu corpo com superfícies aterradas, como tubos, radiadores, extensões e refrigeradores. Existe um risco maior de choque elétrico se o seu corpo estiver aterrado.

c) Não deixe as ferramentas elétricas expostas a chuva ou condições úmidas. A água que entra em uma ferramenta elétrica, aumenta o risco de choque elétrico.

d) Não abuse do cabo elétrico. Nunca use o cabo para carregar, puxar ou desconectar a ferramenta elétrica. Mantenha o cabo longe de calor, óleo, bordas afiadas ou peças móveis. Cabos danificados ou emaranhados aumentam o risco de choque elétrico.

e) Quando operar uma ferramenta elétrica ao ar livre, use um cabo de extensão adequado para uso externo. A utilização de um cabo adequado para uso externo reduz o risco de choque elétrico.

f) Se o uso da ferramenta elétrica em local úmido for inevitável, use uma fonte de alimentação protegida com Dispositivo de Corrente Residual (DR). O uso de um DR reduz o risco de choque elétrico.

g) Quando usada na Austrália ou Nova Zelândia, recomenda-se que esta ferramenta seja SEMPRE alimentada através de um Dispositivo de Corrente Residual (DR), com corrente residual nominal de 30mA ou menos.

3) Segurança pessoal

a) Mantenha-se alerta, preste atenção no que faz e use de bom senso quando operar uma ferramenta elétrica. Não use ferramentas elétricas quando estiver cansado ou sob influência de drogas, álcool ou medicamentos. Um momento de desatenção, quando se opera uma ferramenta elétrica, pode resultar em ferimentos pessoais graves.

b) Use equipamentos de proteção individual. Use sempre proteção ocular. Equipamentos de proteção como máscara respiratória, calçados de proteção antiderrapantes, capacete ou protetores auditivos, usados de acordo com as condições apropriadas, reduzem a ocorrência de ferimentos.

c) Evite partidas não intencionais. Certifique-se de que o interruptor esteja na posição desligada, antes de conectar a ferramenta a fonte de alimentação e/ou bateria, quando estiver pegando-a, ou quando estiver transportando-a.

Transportar ferramentas elétricas com seu dedo no interruptor ou energizar ferramentas elétricas com o interruptor na posição ligada, propicia acidentes.

d) Remova todas as chaves ou ferramentas de trabalho, antes de ligar a ferramenta elétrica. Uma chave deixada em uma peça rotativa da ferramenta elétrica poderá resultar em ferimentos.

e) Não se estique demais. Mantenha sempre o equilíbrio e os pés em local firme. Isto permite um melhor controle da ferramenta em situações inesperadas.

f) Vista-se apropriadamente. Não use joias, nem roupas largas. Mantenha cabelos, roupas e luvas longe das peças móveis. Roupas largas, joias e cabelos longos podem ficar presos nas peças móveis.

g) Se for utilizar dispositivos para a aspiração e coleta de pó, assegure-se de que estejam conectados e sejam usados corretamente. O uso da coleta de pó pode reduzir os riscos associados ao excesso de pó.

4) Uso e cuidados com a ferramenta elétrica

a) Não force a ferramenta elétrica. Use a ferramenta correta para sua aplicação. A ferramenta correta fará o trabalho melhor e com mais segurança, com a produtividade para a qual foi projetada.

b) Não use a ferramenta elétrica se o interruptor liga/desliga não estiver funcionando. Qualquer ferramenta que não puder ser controlada com o interruptor liga/desliga é perigosa e deve ser consertada.

c) Desconecte o conector de tomada da rede elétrica e/ou a bateria da ferramenta, antes de realizar quaisquer ajustes, trocar acessórios ou de guardá-la. Estas medidas de segurança preventivas reduzem o risco de se ligar a ferramenta por acidente.

d) Guarde a ferramenta elétrica fora do alcance de crianças, quando não estiver em uso, e não permita que pessoas não familiarizadas com a ferramenta, e com estas instruções, a operem. Ferramentas elétricas são perigosas nas mãos de pessoas não treinadas.

e) Conserve as ferramentas elétricas. Verifique o alinhamento ou emperramento das peças móveis, se existem peças quebradas ou outra condição que possa afetar a operação da ferramenta. Se a ferramenta estiver danificada, providencie o conserto, antes de usá-la. Muitos acidentes são causados por ferramentas mal conservadas.

f) Mantenha as ferramentas de corte limpas e afiadas. Ferramentas de corte com bordas afiadas, quando mantidas corretamente, são menos propensas a emperramentos e mais fáceis de controlar.

g) Use a ferramenta elétrica, seus acessórios e outros elementos de acordo com estas instruções, considerando as condições de trabalho e o serviço a ser executado. O uso da ferramenta para operações diferentes daquelas para as quais foi projetada pode resultar em uma situação de risco.

5) Reparos

a) Entregue sua ferramenta para reparos a pessoal técnico qualificado, que use apenas peças de reposição originais. Isto garantirá que a ferramenta continuará oferecendo segurança.

Segurança da serra tico-tico

AVISO: Antes de conectar uma ferramenta a uma fonte de energia (conector do interruptor de energia da rede, tomada de parede, etc.), certifique-se de que a voltagem de alimentação tem o mesmo valor que o especificado na etiqueta de identificação da ferramenta. Uma fonte de energia com uma voltagem acima da especificada para a ferramenta poderá resultar em ferimentos graves e danificar a ferramenta. Se estiver em dúvida, não conecte a ferramenta. Usar uma fonte de energia com voltagem abaixo da voltagem nominal, especificada na placa de identificação, poderá ser prejudicial para o motor.

- Segure a ferramenta elétrica pelas empunhaduras isolantes, quando estiver realizando uma tarefa em que o acessório de corte possa entrar em contato com fiação oculta ou com seu próprio cabo. O contato com um cabo eletrificado poderá eletrificar as partes metálicas da ferramenta, provocando um choque elétrico no operador.
- Não ponha sua mão por debaixo da peça de trabalho. O protetor não pode proteger você da lâmina em baixo da peça de trabalho.
- Nunca segure uma peça que está sendo cortada com suas mãos ou em suas pernas. Prenda a peça de trabalho em uma plataforma estável. É importante prender a peça firmemente para minimizar a exposição do seu corpo, o travamento da lâmina e a perda de controle.

Para a segurança relacionada a vestuário/equipamento de proteção e riscos gerais à saúde, associados a ferramentas elétricas, consulte as seções de Segurança Geral e Elétrica, deste Manual.

- Não permita que pessoas abaixo de 18 anos operem esta serra tico-tico.
- Assegure-se de que existe iluminação adequada.
- Trapos, panos, cabos, cordões, etc. nunca devem ser deixados soltos na área de trabalho.
- Mantenha a área livre de objetos que possam provocar tropeços.
- Inspeccione a peça de trabalho e remova todos os objetos embutidos, antes de começar o trabalho.
- Apoie ou prenda a peça de trabalho para evitar vibração e assegurar um bom corte.
- Consulte a seção de especificações, deste manual, para saber o tipo correto de lâmina. Poderá não ser possível prender firmemente lâminas incorretas, provocando um risco de segurança.
- Use somente lâminas em bom estado.
- Caso você seja interrompido, quando estiver operando a serra, conclua o processo e desligue a ferramenta, antes de redirecionar seu olhar.
- Mantenha suas mãos longe do lado inferior da peça de trabalho.
- Assegure-se de que a lâmina usada é apropriada para o material sendo cortado e garanta que todos os suportes e cabos de energia estão totalmente fora do trajeto da lâmina de corte.
- Onde existirem protetores, garanta que estão em uso e na posição correta.

- Não exerça pressão sobre a ferramenta. Permite que a lâmina corte em sua velocidade natural. Isto produzirá resultados melhores e maximizará a vida útil da ferramenta.
- Antes de cortar, verifique se existe folga suficiente para a lâmina embaixo da peça de trabalho.
- Mantenha sempre a sapata pressionada contra a peça de trabalho.
- Não tente cortar materiais mais espessos do que o detalhado na seção de especificações deste manual.
- Não force a lâmina em uma direção que a curve ou torça, durante o corte.
- Se um corte não for até à borda da peça de trabalho, deixe a lâmina parar completamente antes erguê-la para fora da peça de trabalho.
- Não use suas mãos para retirar serragem, lascas de madeira ou resíduos próximo à lâmina.
- Nunca estique seu corpo ou partes dele sobre a lâmina para remover resíduos ou lascas.
- Lâminas ficam quentes durante o uso. Deixe que esfriem completamente, antes de tocá-las.
- Se uma lâmina ficar emperrada, desconecte a máquina da alimentação elétrica, antes tentar de solar a lâmina.
- Verifique periodicamente se todas as porcas, parafusos e outros elementos de fixação estão apertados, e aperte onde necessário.

Segurança da ferramenta de corte

AVISO. Antes de conectar uma ferramenta a uma fonte de energia (conector do interruptor de energia da rede, tomada de parede, etc.), certifique-se de que a voltagem de alimentação tem o mesmo valor que o especificado na etiqueta de identificação da ferramenta. Uma fonte de energia com uma voltagem acima da especificada para a ferramenta poderá resultar em ferimentos graves e danificar a ferramenta. Se estiver em dúvida, não conecte a ferramenta. Usar uma fonte de energia com voltagem abaixo da voltagem nominal, especificada na placa de identificação, poderá ser prejudicial para o motor.

Use a ferramenta de corte correta

- Assegure-se de que a ferramenta de corte é adequada ao trabalho. Não assuma que uma ferramenta é adequada sem antes ler a documentação do produto.

Proteja seus olhos

- Use sempre proteção adequada para os olhos, quando estiver usando ferramentas de corte.
- Óculos comuns não são concebidos para oferecer qualquer proteção quando se usa este produto, pois suas lentes não são resistentes a impactos e podem se despedaçar.

Proteja sua audição

- Use sempre proteção auricular apropriada, quando o ruído da ferramenta ultrapassar 85dB.

Proteja sua respiração

- Assegure-se de que você e os demais à sua volta estão utilizando máscaras contra poeira adequadas.

Proteja suas mãos

- Não deixe suas mãos se aproximarem do disco ou lâminas de corte. Quando trabalhar com com peças de madeira mais curtas, use um extensor e as ferramentas elétricas adequadas.

Esteja ciente de onde estão os outros à sua volta

- É responsabilidade do usuário da máquina garantir que as pessoas que estão na vizinhança do local de trabalho não sejam expostas a ruído e poeiras perigosas e também que estejam usando equipamento de proteção adequado.

Objetos ocultos

- Inspeccione a peça de trabalho e remova todos os pregos e outros objetos embutidos, antes de iniciar o corte.
- Não tente cortar material que contenha objetos embutidos, a menos que a ferramenta de corte instalada em sua máquina seja própria para esse tipo de trabalho.
- Podem existir fiações e tubulações escondidas atrás de paredes, painéis de carrocerias podem esconder tubulações de combustível, e gramados altos podem esconder pedras e vidros. Verifique sempre a área de trabalho antes de prosseguir.

Tome cuidado com o material arremessado pela máquina

- Em algumas situações, os resíduos são arremessados com muita velocidade pela ferramenta. É responsabilidade do usuário garantir que outras pessoas que estejam no local de trabalho estejam protegidas contra a possibilidade de serem atingidas por material arremessado.

Instalação de ferramentas de corte

- Garanta que as ferramentas de corte são instaladas de forma correta e firme e verifique se todas as ferramentas e chaves foram removidas da máquina, antes do uso.
- Use apenas as ferramentas de corte recomendadas para sua máquina.
- Não tente fazer modificações em ferramentas de corte.
- Assegure-se de que as lâminas estão afiadas, em boas condições e corretamente instaladas.
- Não tente afiar as lâminas que não forem indicadas para isso. Incluem-se nesse caso lâminas especialmente endurecidas ou lâminas feitas de ligas endurecidas, que tipicamente possuem tungstênio.
- O afiamento das lâminas que puderem ser afiadas deve ser feito de acordo com as instruções do fabricante referentes à respectiva lâmina. Essas instruções poderão definir um número máximo de vezes que a lâmina pode ser afiada.
- As lâminas que podem ser afiadas devem ser inspecionadas de forma mais completa antes do uso, e trocadas imediatamente, caso haja alguma dúvida a respeito de sua adequação ao uso.
- Caso uma lâmina colida com um objeto embutido durante seu uso, para o qual não foi concebida, deve ser substituída imediatamente.

Sentido de alimentação

- Introduza sempre as peças de trabalho na área de corte contra o sentido de movimentação da lâmina ou ferramenta de corte.

Tome cuidado com o calor

- As ferramentas de corte e peças de trabalho podem ficar quentes durante o uso. Não tente trocar as ferramentas até que tenham esfriado completamente

Controle a poeira / serragem

- Não deixe que poeira ou serragem se acumulem. A representa um perigo de incêndio e alguns tipos de limalhas metálicas são explosivas.
- Tome cuidado adicional quando estiver cortando madeira ou metal. As centelhas produzidas pelo corte de metais são uma causa comum de incêndios em madeiras.
- Sempre que possível, use um sistema de coleta e extração de serragem de modo a manter um ambiente de trabalho mais seguro.

Familiarização com o produto

1. Empunhadura auxiliar
2. Empunhadura principal
3. Interruptor Liga/Desliga
4. Base
5. Capa da base
6. Seletor de modo
7. Guia da lâmina
8. Fenda da guia paralela
9. Roscas da trava da guia paralela
10. Barra do protetor de lâmina
11. Liberador do protetor de lâmina
12. Suporte da lâmina
13. Saída de ar do motor
14. Botão de controle de velocidade
15. Parafuso de acesso à escova
16. Trava de ângulo da base

Acessórios (não listados):

- TJS001 Ferramenta elétrica
- TJSBW10 Lâmina para madeira - cortes curvos
- TJSBW06 Lâmina para madeira e plásticos - cortes retos rápidos
- TJSBM21 Lâmina para metais - corta metais ferrosos e não ferrosos
- Adaptadores do bocal de pó
- Guia paralela
- Botões da guia paralela x 2
- Adaptador de trilho
- Bolsa mole

Uso Pretendido

Serra tico-tico pendular para corte de perfis e cortes retos precisos de madeiras, plásticos e folhas finas de metal (quando se usam as lâminas apropriadas). Também permite o corte de cavidades internas de tamanhos pequenos e recortes de bordas retas, quando conectada ao sistema de trilhos da Triton. <Pretty much confirmed with have the track adaptor>

Desembalagem da sua ferramenta

- Desembale e inspecione cuidadosamente seu produto. Familiarize-se com todos os seus recursos e funções.
- Certifique-se de que todas as peças do produto estão presentes e em bom estado. Caso estejam faltando peças ou existam peças danificadas, substitua-as primeiro, antes de tentar usar a ferramenta.

Antes do uso

AVISO: Assegure-se de que a ferramenta está desconectada da fonte de alimentação, antes de instalar ou trocar acessórios, ou fazer quaisquer ajustes.

Guia da lâmina

- A guia da lâmina (7) possui uma mola. Dependendo da posição do Seletor de modo (6), a guia da lâmina permanece estacionária (não pendular) ou oscila para a frente e para trás, fazendo com que a lâmina corte com ação pendular.

Ajuste do pêndulo

Os modos pendulares permitem um corte mais eficiente dos materiais, criando um corte oscilante ligeiramente curvado. Isto permite um corte superior em peças de trabalho mais espessas e impõe menor estresse sobre o motor e a lâmina, em uso, criando uma pequena folga entre a lâmina e a peça, em estágios do corte.

O Seletor de modo (6) possui 4 posições:

- A posição '0' seleciona o corte normal, sem ação pendular.
- As posições 1, 2 e 3, acionam a ação pendular. Isto faz com que a lâmina oscile ligeiramente para a frente e para trás, à medida que executa o corte, aumentando a eficiência de corte.
- A posição 1 estabelece uma ação pendular mínima; a posição 3 estabelece a ação pendular máxima da ferramenta.
- Faça um teste com um pedaço de madeira descartável para determinar a melhor posição do seletor de modo para sua peça de trabalho.

IMPORTANTE: Não altere o modo de ação pendular enquanto a serra está em funcionamento.

Ajuste da base para corte de chanfros

A Base (4) possui 3 posições de ângulo entalhadas (15°, 30° e 45°), lato para a esquerda como para a direita (figura E):

1. Vire a serra de cabeça para baixo e solte a Trava de ângulo da base (16) puxando a alavanca para fora (figura D).
2. Ajuste a Base na posição requerida (figura F).
3. Reaperte a Trava de ângulo da base

Nota: Em trabalhos que exigem precisão, faça antes um corte de teste em um pedaço de material descartável; verifique o corte e ajuste conforme necessário até obter o ajuste correto.

Nota: Caso deseje ajustar um ângulo de Base diferente das posições entalhadas, esse ajuste se manterá apenas pela fricção/tensão e existe um risco da Base mudar de ângulo durante a operação. O ajuste cuidadoso do Parafuso de fixação da base (figura I) poderá ser necessário.

Adaptadores do bocal de pó

Para um ambiente de trabalho limpo e seguro, recomenda-se que esta ferramenta seja usada com um sistema coletor de pó. Isto é especialmente importante quando não se conhecer a toxicidade da peça de trabalho, por ex., revestimentos de superfície velhos, incluindo pinturas, ou alguma solução de tratamento de madeira desconhecida.

- O Adaptador do bocal de pó (figura N) se encaixa na traseira da base e permite a conexão de um sistema de extração de pó, ou aspirador de pó doméstico, à ferramenta, permitindo a remoção do pó e serragem durante o uso da ferramenta.

AVISO: Limalhas metálicas quentes, produzidas pelo corte de folhas de metal, poderão atear fogo no pó de madeira residual coletado pelo sistema de extração de pó e presente no saco ou recipiente de coleta de pó. Nesses casos, a coleta de pó não é recomendada no corte de metais, exceto se todos os riscos forem eliminados antes.

Troca de lâmina

1. Vire a serra tico-tico de cabeça para baixo, de modo que possa ter acesso à lâmina da serra da ferramenta
2. Puxe o Liberador do protetor de lâmina (11) e retire e substitua a lâmina (figura C).
3. Deixe que o Liberador do protetor de lâmina volte suavemente a sua posição normal.
4. Verifique se a lâmina está instalada corretamente e está alinhada com a Guia da lâmina (7).

Nota: Caso seja difícil de soltar a lâmina, usando o Controle de troca de Lâmina, bata muito levemente na ponta da lâmina com uma marreta de madeira ou similar. Isto soltará a lâmina que poderá, então, ser substituída.

Instalação uma Capa de base

A serra tico-tico é fornecida com uma Capa de base multiuso (5) que evita arranhões e danos à maioria das superfícies. Contate seu revendedor Triton para conhecer outras capas de base, próprias para superfícies específicas.

- Para remover uma Capa de base, solte-a na parte de trás da Base (4), removendo-a a partir da parte dianteira da Base (figura J).
- Para instalar uma Capa de base, encaixe-a em toda a frente da Base e prenda-a na traseira da Base.

Instalação do adaptador de trilho

O Adaptador de trilho fornece uma guia paralela, fácil de usar e precisa, por meio do sistema de trilho Triton, para cortar cavidades internas de tamanhos pequenos e recortes de bordas retas.

1. O Adaptador encaixa sobre a Base nu(a), sem a capa (5) instalada.
2. Encaixe a frente da Base nu(a) no Adaptador de trilho e então prenda na traseira da Base.
3. O Adaptador de trilho encaixa sobre o Trilho Triton como mostrado (figura P), permitindo cortes retos fáceis e precisos.

Instalação da guia paralela

A Guia paralela depende da borda da peça de trabalho, ou de outra borda paralela, para orientar cortes paralelos retos na peça de trabalho.

1. Encaixe os 2 Botões da guia paralela nas Roscas de trava da guia paralela (9), mas não aperte.
2. Insira a Guia paralela na Fenda da guia paralela (8), no lado requerido por seu corte, assegurando que a placa da borda da guia paralela está virada para baixo (figura O).
3. Ajuste no comprimento necessário, usando as gradações da guia, ou outro dispositivo de medição.
4. Aperte os Botões da guia paralela pra prender a Guia paralela e deixá-la pronta para uso.

Operação

AVISO: Use SEMPRE proteção ocular, auricular e respiratória, bem como luvas apropriadas, quando trabalhar com esta ferramenta.

Ajuste da velocidade de corte

A velocidade da ferramenta pode ser pré-definida antes do uso, bem como ajustada durante o uso, através do Botão de controle de velocidade (14), que fica na traseira da máquina. O pré-ajuste da velocidade permite que o operador se concentre no controle da segurança da ferramenta, usando duas grandes empunhaduras, a Empunhadura auxiliar (1) e a Empunhadura principal (2). A velocidade da lâmina pode ser ajustada para se adequar ao material sendo cortado. Isto melhora o desempenho de corte e poupa a lâmina de desgaste indevido:

- Use o Botão de controle de velocidade (14) para ajustar a velocidade da lâmina.

Acionamento e desligamento

1. Conecte a ferramenta à tomada elétrica.
2. Ligue a ferramenta, pressionando o interruptor Liga/desliga (3) para a frente, e pressione na parte dianteira, para travar o botão na posição ligado (figuras A e B).
3. Pressione o interruptor Liga/Desliga na parte anterior, o que fará com que o interruptor volte imediatamente para a posição Desligada, por efeito da mola.

Realização de cortes

1. **AVISO:** Assegure-se de que a janela do Liberador do protetor da lâmina (11) e a Barra do protetor de lâmina (10) estão em boas condições e estão posicionados corretamente, de modo a impedir que dedos toquem nos dentes da lâmina em uso.
1. Posicione a frente da Base (4) na borda da peça de trabalho (figura M) e inicie o corte.
2. Deixe que a lâmina atinja a velocidade de operação antes tocar na peça de trabalho com ela.
3. Guie lentamente a serra tico-tico para a frente, com ambas as mãos, mantendo a Base contra a peça de trabalho.
4. Não force a serra: deixe que a lâmina e a serra façam o trabalho. Use apenas pressão suficiente para manter a lâmina cortando.

Cortes circulares e de cavidades

- Quando iniciar um corte dentro de uma peça de trabalho, perfure um orifício de 12 mm de diâmetro no lado descartável do corte para garantir que haja espaço para a lâmina (figura L).
- Quando cortar curvas apertadas, reduza a velocidade da serra (figura K).

AVISO: Não mova a serra para a frente ao longo de seu corte, até que a lâmina tenha entrado completamente no material e a sapata esteja descansando na superfície da peça.

Uso da guia paralela

- Use a Guia paralela para orientar a serra tico-tico ao longo de uma linha reta, que pode ser uma borda da peça de trabalho ou um pedaço de tábua reta preso à peça de trabalho.
- A guia é particularmente útil para assegurar a consistência quando se cortam múltiplas tábuas de uma única peça de material.

Corte de metal

- Quando se cortam metais, deve ser usado um óleo de resfriamento/corte adequado.
- Aplique o lubrificante na lâmina ou peça de trabalho em intervalos regulares, durante o corte, de modo a reduzir o desgaste da lâmina.

Acessórios

- Seu revendedor Triton possui à disposição acessórios para sua serra tico-tico, incluindo lâminas para os diversos tipos de cortes e materiais. Peças de reposição podem ser obtidas através do site: www.toolsparsonline.com

Manutenção

 **AVISO:** SEMPRE desconecte a ferramenta da alimentação elétrica, antes de realizar qualquer manutenção/limpeza.

Inspeção geral

- Verifique regularmente se todos os parafusos de fixação estão apertados.
- Inspeção o cabo de energia da ferramenta, antes de cada utilização, em busca de desgaste ou danos. Reparos devem ser realizados por um Centro de Serviços. E isto também se aplica aos cabos de alimentação elétrica da ferramenta.

Limpeza

AVISO: Use SEMPRE equipamento de proteção, incluindo proteção ocular e luvas, quando limpar esta ferramenta.

- Mantenha sua ferramenta limpa o tempo todo. A sujeira e o pó produzem desgaste acelerado das peças internas e encurtam a vida útil da ferramenta.
- Limpe o corpo de sua ferramenta com uma escova macia e pano seco.
- Nunca use agentes cáusticos para limpar peças plásticas. Caso não seja suficiente uma limpeza seca, recomenda-se o uso de um pano úmido com detergente suave.
- Água não deve nunca entrar em contato com a ferramenta.
- Assegure-se de que a ferramenta está completamente seca, antes de usá-la.
- Se houver ar comprimido disponível, use-o para soprar a sujeira nos orifícios de ventilação (onde aplicável).

Lubrificação

- Lubrifique levemente todas as peças móveis a intervalos regulares, usando um lubrificante aerossol adequado.

Escovas

- Com o tempo, as escovas de carbono do motor poderão ficar gastas.
 - Escovas excessivamente gastas podem causar perda de potência, falhas intermitentes, ou centelhamento visível.
1. Para trocar as escovas de carbono, remova o Parafuso de acesso à escova (15) e puxe a tampa para fora, cuidadosamente, na parte traseira da ferramenta.
 2. Remova o parafuso pequeno (figura G) e erga a estrutura que aloja a escova de carbono em cerca de 12 mm (1/2") e, então, remova cuidadosamente o conector elétrico (seta na figura H).
 3. Empurre o conector com o fio de cobre nu multi-trançado através da estrutura, à medida que você remove a escova de carbono gasta.
 4. Encaixe o conector e fio da nova escova através da estrutura, antes de instalar a nova escova de carbono na estrutura.
 5. Encaixe o conector elétrico (figura H).
 6. Instale, com cuidado, a estrutura de volta no recesso e prenda-a com o parafuso.
 7. Verifique visualmente se a estrutura está instalada corretamente.
 8. Repita os passos de 2 a 7 para a outra escova de carbono.
 9. Reinstale a Capa da base (5) e o Parafuso de acesso à escova, assegurando-se que o cabo de energia não fica preso e que o Botão de controle de velocidade (14) está alinhado corretamente.
 10. Remova todas as lâminas da ferramenta e conecte-a à energia.
 11. Acione a ferramenta inicialmente com uma velocidade baixa e, depois, aumente a velocidade para se assegurar que a ferramenta está funcionando corretamente.
- Alternativamente, leve a máquina a um Centro de Serviço Autorizado pela Triton.
- IMPORTANTE:** Troque sempre as escovas de carbono aos pares.

Armazenamento

- Guarde esta ferramenta com cuidado, em um lugar seguro e seco, fora do alcance de crianças.

Descarte

Cumpra sempre as leis nacionais ao descartar ferramentas elétricas que não funcionam mais e cujo reparo não é mais viável.

- Não descarte ferramentas elétricas, ou outros equipamentos elétricos e eletrônicos (WEEE) no lixo doméstico.
- Contate a autoridade local de eliminação de resíduos para saber o modo correto de descartar ferramentas elétricas.

Garantia

Para registrar sua garantia, visite nosso site em www.tritontools.com* e cadastre suas informações.

Seus dados serão incluídos em nossa lista de endereços (a menos que indicado de outro modo) para que você receba informações sobre lançamentos futuros. Os dados que nos fornecer não serão repassadas a terceiros.

Registro de compra

Data de compra: ___/___/___

Modelo: XXXX Retenha sua nota fiscal como comprovante de compra.

Declaração de conformidade

O abaixo assinado: Sr. Darrell Morris

Conforme autorizado por: Triton Tools

Declara que o equipamento

Está declaração foi emitida sobre a responsabilidade do fabricante.

A presente declaração está em conformidade com a Legislação de Harmonização da União (Norma europeia).

Código de identificação: XXXX

Descrição: XXXX

Está em conformidade com os seguintes padrões e diretivas:

- Diretiva de Maquinário 2006/42/EC
- Diretiva de Baixa Tensão 2014/35/EU
- Diretiva de EMC 2014/30/EU
- Diretiva de RoHS 2011/65/EU
- EN60745-1
- EN60745-2-1
- EN60745-2-2
- EN60335-1
- EN60335-2-29

A Triton Precision Power Tools garante ao comprador deste produto que se qualquer peça estiver comprovadamente defeituosa devido a falhas de material ou mão de obra durante os próximos 3 anos a partir da data da compra original, Triton irá reparar ou, a seu critério, substituir a peça defeituosa sem custo.

Esta garantia não se aplica ao uso comercial nem se estende ao desgaste normal ou a danos decorrentes de acidente, abuso ou uso indevido.

* Registre-se online dentro de 30 dias após a compra.

Termos e condições aplicáveis.

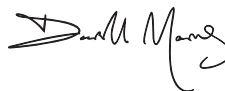
Isto não afeta seus direitos legais.

Orgão notificado: TÜV Rheinland Co., Ltd

A documentação técnica é mantida pela: Triton Tools

Data: XXXXXX

Assinado:



Mr Darrell Morris

Diretor Geral

Nome e endereço do fabricante:

Powerbox International Limited, Company No. 06897059. Registered address: Powerbox

Int. Ltd. Somerset, BA22 8HZ, United Kingdom.

Tłumaczenie oryginalnej instrukcji

Wprowadzenie

Dziękujemy za zakup narzędzia marki Triton. Zalecamy zapoznać się z niniejszymi instrukcjami: zawierają one informacje niezbędne dla bezpiecznej i wydajnej obsługi produktu. Produkt posiada szereg unikalnych funkcji, dlatego też, nawet, jeśli jesteś zaznajomiony z podobnymi produktami, przeczytanie instrukcji obsługi umożliwi Ci pełne wykorzystanie tego wyjątkowego projektu. Przechowuj niniejsze instrukcje w zasięgu ręki i upewnij się, że użytkownicy narzędzia przeczytali i w pełni zrozumieli wszystkie zalecenia.

Opis symboli

Tabela znamionowa zawiera symbole dotyczące narzędzia. Stanowią one istotne informacje o produkcie lub instrukcje dotyczące jego stosowania.



Należy nosić środki ochrony słuchu
Należy nosić okulary ochronne
Należy nosić środki ochrony dróg oddechowych
Należy używać kasku ochronnego



Należy nosić rękawice ochronne



Należy w całości przeczytać instrukcję obsługi



Uwaga!



Toksyczne opary lub gazy!



NIE WOLNO korzystać z urządzenia w przypadku deszczu lub obecności wilgoci!



Należy zawsze odłączać urządzenie od zasilania elektrycznego, podczas regulacji, wymiany akcesoriów, czyszczenia, konserwacji oraz gdy nie jest w użyciu!



OSTRZEŻENIE: Ruchome części mogą spowodować obrażenia ciała w postaci zmażdżeń i ran ciętych



Konstrukcja klasy II (podwójnie izolowana dla dodatkowej ochrony)



Ochrona środowiska
Nie należy wyrzucać zużytych produktów elektrycznych wraz z odpadami komunalnymi. Jeśli jest to możliwe, należy przekazać produkt do punktu recyklingu. W celu uzyskania wskazówek dotyczących recyklingu należy skontaktować się z władzami lokalnymi lub sprzedawcą.



Urządzenie zgodne z odpowiednimi przepisami i normami bezpieczeństwa

Kluczowe skróty techniczne

V	Wolt	Ø	Średnica
~, AC	Prąd przemienny	Hz	Herc
A, mA	Amper, mili-Amp	—, DC	Prąd stały
n0	Prędkość bez obciążenia	W, kW	Wat, kilowat
n	Prędkość znamionowa	/min or min ⁻¹	Działań na minutę
opm	Obrotów, bądź oscylacji na minutę	rpm	Obrotów na minutę
spm	Uderzeń na minutę	dB(A)	Poziom hałasu w decybelach (A mierzony)
°	Stopnie	m/s ²	Metry na sekundę do kwadratu (wartość drgań)

Dqan techniczne

Napięcie elektryczne:	230V~, 50 Hz
Moc:	750W
Prędkość bez obciążenia:	800-3000 min ⁻¹
Skok:	26 mm
Mocowanie brzeszczotu:	Uniwersalne oraz bagnetowe
Brzeszczot:	Brzeszczot do drewna: niski profil, zakrzywione cięcia w drewnie (naturalne i drewno kompozytowe) Brzeszczot do drewna: szybkie i proste cięcie (drewno naturalne i kompozytowe) oraz plastik Brzeszczot do metalu: do cięcia metali żelaznych i nieżelaznych
Ruh wahadłowy:	3 stopniowy
Zakres regulacji kąta cięcia:	0°, 15°, 30° oraz 45° (lewo i prawo)
Głębokość cięcia w:	
drewnie:	110 mm
aluminium:	25 mm
stali:	10 mm
Wymiary (dł. x szer. x wys.):	340 x 85 x 215 mm
Waga:	3,5kg
W wyniku nieprzerwanego procesu rozwojowego produktów dane technicznych poszczególnych produktów Triton mogą ulec zmianie bez uprzedniego powiadomienia	
Parametry emisji dźwięku i wibracji:	
Poziom ciśnienia akustycznego L _{PA} :	80,9 dB(A)
Poziom mocy akustycznej L _{WA} :	91,9 dB(A)
Niepewność pomiaru K:	3 dB
Wartość wibracji podczas:	
cięcia drewna:	13,2 m/s ²
cięcia metalu:	13,8 m/s ²
Niepewność pomiaru:	1,5 m/s ²
Poziom natężenia dźwięku dla operatora może przekroczyć 85 dB(A) dlatego konieczne jest zastosowanie środków ochrony słuchu.	

OSTRZEŻENIE: Jeżeli poziom hałasu przekracza 85dB(A) należy zawsze stosować środki ochrony słuchu oraz, jeśli to konieczne, ograniczyć czas narażenia słuchu na nadmierny hałas. Jeśli poziom hałasu powoduje dyskomfort, nawet w przypadku zastosowania środków ochrony słuchu, niezwłocznie przestań korzystać z narzędzia i sprawdź czy środki ochrony słuchu jest prawidłowo zamontowany i zapewnia odpowiedni poziom tłumienia dźwięku w odniesieniu do poziomu hałasu wytwarzanego przez narzędzie.

OSTRZEŻENIE: Narażenie użytkownika na wibracje narzędzia może spowodować utratę zmysłu dotyku, drętwienie, mrowienie i zmniejszenie zdolności uchwytu. Długotrwałe narażenie może prowadzić do stanu przewlekłego. Jeśli jest to konieczne, ogranicz czas narażenia na wibrację i stosuj rękawice antywibracyjne. Nie korzystaj z urządzenia w trybie ręcznym w temperaturze niższej niż normalna komfortowa temperatura otoczenia, ponieważ zwiększy to efekt wywołany przez wibracje. Skorzystaj z wartości liczbowych podanych w specyfikacji dotyczącej wibracji, aby obliczyć czas trwania i częstotliwość pracy z narzędziem.

Poziom hałasu i drgań w specyfikacji określone są zgodnie z normą EN60745 lub podobnymi normami międzynarodowymi. Wartości te reprezentują korzystanie z urządzenia w normalnych warunkach roboczych. Niebadała konserwacja, nieprawidłowy montaż lub nieprawidłowe użytkowanie urządzenia mogą spowodować wzrost poziomu hałasu oraz wibracji. www.osha.europa.eu dostarcza informacji na temat poziomów hałasu i wibracji w środowisku pracy, które mogą być przydatne dla użytkowników prywatnych, którzy korzystają z urządzenia przez długi czas.

Instrukcje dotyczące bezpieczeństwa

OSTRZEŻENIE Przeczytaj wszystkie ostrzeżenia i instrukcje bezpieczeństwa. Nieprzestrzeganie ostrzeżeń i instrukcji może prowadzić do porażenia prądem, pożaru i / lub poważnych obrażeń.

OSTRZEŻENIE: Urządzenie nie jest przeznaczone do użytkowania przez osoby (w tym dzieci) o ograniczonej sprawności fizycznej lub umysłowej, lub o braku doświadczenia i wiedzy, chyba, że będą one nadzorowane lub zostaną poinstruowane na temat korzystania z urządzenia przez osobę odpowiedzialną za ich bezpieczeństwo. Należy pilnować, aby dzieci nie próbowały korzystać z urządzenia, jako zabawki.

Zachowaj wszystkie ostrzeżenia i instrukcje na przyszłość. Termin „elektronarzędzie” odnosi się do urządzenia zasilanego siecią (przewodowego) lub urządzenia zasilanego za pomocą baterii (bezprowodowego).

1) Bezpieczeństwo obszaru pracy

- Zadbaj o prawidłową higienę i prawidłowe oświetlenie obszaru pracy.** Zaniedbanie lub brak wystarczającego oświetlenia obszaru pracy mogą doprowadzić do wypadków.
- Nie należy używać elektronarzędzi w przestrzeniach zagrożonych wybuchem, np. w obecności łatwopalnych cieczy, gazów lub pyłów.** Urządzenia elektryczne wytwarzają iskry, które mogą podpałić pył lub opary.
- Nie dopuszczaj dzieci ani innych osób do obszaru pracy elektronarzędzi.** Nieuwaga może spowodować utratę kontroli.

2) Bezpieczeństwo elektryczne

- Wtyczka elektronarzędzia musi pasować do gniazda zasilania.** Nie wolno modyfikować wtyczki w żaden sposób. W przypadku elektronarzędzi z uziemieniem nie należy stosować przedściówek. Oryginalne wtyczki i pasujące gniazda zmniejszają ryzyko porażenia prądem.
- Unikaj dotykania uzienionych powierzchni, takich jak rury, grzejniki, piece i lodówki.** Uziemienie ciała powoduje zwiększenie ryzyka porażenia prądem.
- Nie wystawiaj elektronarzędzi na działanie deszczu lub wilgoci.** Przedostanie się wody do urządzenia zwiększa ryzyko porażenia prądem.
- Nie należy nadwyrażać kabla.** Nigdy nie używaj go do przenoszenia, przeciągania lub odłączania elektronarzędzia. Trzymaj przewód z dala od źródeł ciepła, oleju, ostrych krawędzi lub ruchomych części urządzenia. Uszkodzone lub poplątane kable zwiększają ryzyko porażenia prądem.
- W przypadku korzystania z urządzenia na wolnym powietrzu używaj przedłużacza przystosowanego do użycia na zewnątrz.** Korzystanie z przedłużacza przystosowanego do użycia na zewnątrz zmniejsza ryzyko porażenia prądem.
- W przypadku korzystania z elektronarzędzia w miejscu o dużym natężeniu wilgoci należy używać gniazda zasilania wyposażonego w wyłącznik różnicowoprądowy (RCD).** Korzystanie z wyłącznika różnicowoprądowego zmniejsza ryzyko porażenia prądem.

3) Bezpieczeństwo osobiste

- Podczas korzystania z elektronarzędzi bądź czujny, uważaj, co robisz i zachowaj zdrowy rozsądek.** Nie używaj ich, gdy jesteś zmęczony albo pod wpływem narkotyków, alkoholu lub leków. Chwila nieuwagi podczas obsługi urządzenia może spowodować poważne obrażenia ciała.
- Korzystaj ze środków ochrony osobistej.** Zawsze stosuj środki ochrony oczu. Wyposażenie ochronne, takie jak maska przeciwpyłowa, obuwie robocze antypoślizgowe na szorstkiej podszewce, kask ochronny lub nasznuski ochronne używane w odpowiednich warunkach, zmniejsza ryzyko obrażeń.

- Zapobiegaj przypadkowemu włączeniu urządzenia.** Przed podłączeniem do źródła zasilania i / lub akumulatora, podnoszeniem lub przenoszeniem narzędzia, upewnij się, że przełącznik zasilania znajduje się w pozycji wyłączonej. Przenoszenie urządzenia z palcem umieszczonym na wyłączniku zasilania lub podłączanie elektronarzędzi przy włączonym przełączniku zasilania stwarza ryzyko wypadku.
- Przed włączeniem elektronarzędzia usuń z niego wszelkie klucze regulacyjne.** Narzędzie lub klucz pozostawiony w obracającej się części elektronarzędzia może spowodować obrażenia ciała.
- Nie wychylaj się.** W każdej chwili zachowuj odpowiednią pozycję i równowagę. Umożliwia to lepszą kontrolę nad elektronarzędziem w nieoczekiwanych sytuacjach.
- Noś odpowiednią odzież.** Nie zakładaj do pracy z elektronarzędziem luźnej odzieży ani biżuterii. Trzymaj włosy, odzież i rękawice z dala od ruchomych części urządzenia. Luźne ubranie, biżuteria lub długie włosy mogą zostać wciągnięte przez ruchome części urządzenia.
- Jeśli do zestawu załączone są urządzenia do podłączenia mechanizmów odsysania i zbierania pyłu, sprawdź czy są one przyłączone i prawidłowo zamocowane.** Korzystanie z urządzenia odsysającego pył może zmniejszyć zagrożenie pyłami.

4) Użytkowanie i pielęgnacja elektronarzędzi.

- Nie należy przeciągać urządzenia.** Używaj narzędzi odpowiednich do danego zastosowania. Prawidłowe narzędzie wykona zadanie lepiej i bezpieczniej w podanym zakresie sprawności.
- Nie należy używać urządzenia, jeśli nie można go włączyć lub wyłączyć za pomocą odpowiedniego przełącznika.** Urządzenia, które nie mogą być kontrolowane za pomocą przełącznika są niebezpieczne i muszą zostać oddane do naprawy.
- Przed dokonaniem regulacji, wymiany akcesoriów lub przechowywaniem elektronarzędzia odłącz wtyczkę od źródła zasilania i / lub akumulator od urządzenia.** W prewencji środki bezpieczeństwa zmniejszają ryzyko przypadkowego uruchomienia elektronarzędzia.
- Nie używaj elektronarzędzi przechowuj w miejscu niedostępnym dla dzieci i nie dopuszczaj do nich osób nie znających elektronarzędzi lub ich instrukcji obsługi.** Elektronarzędzia stanowią niebezpieczeństwo w rękach niedoświadczonych użytkowników.
- Przeprowadzaj konserwację elektronarzędzi.** Sprawdź urządzenie pod kątem nieprawidłowego ustawienia lub zablokowania elementów ruchomych, pęknięć części lub innych usterek, które mogą mieć negatywny wpływ na funkcjonowanie urządzenia. W przypadku usterek należy naprawić urządzenie przed ponownym użyciem. Niewłaściwa konserwacja elektronarzędzi jest przyczyną wielu wypadków.
- Utrzymuj narzędzia tnące w czystości i dobrze naostrzone.** Zadbane narzędzia tnące z ostrymi krawędziami tnącymi rzadziej się zacinają i łatwiej nimi sterować.
- Używaj elektronarzędzia, akcesoria, końcówki itp. zgodnie z tymi instrukcjami, biorąc pod uwagę warunki pracy i realizowane zadania.** Używanie narzędzi do wykonywania prac niezgodnych z ich przeznaczeniem może doprowadzić do niebezpiecznych sytuacji.

5) Serwis

- Urządzenie powinno być serwisowane przez wykwalifikowaną osobę naprawczą przy użyciu wyłącznie oryginalnych części zamiennych.** Zagwarantuje to bezpieczeństwo elektronarzędzia.

Bezpieczeństwo korzystania z wyrzynarki

OSTRZEŻENIA. Przed podłączeniem narzędzia do źródła zasilania (gniazda zasilania wyłącznika sieciowego, sieci itp.) należy upewnić się, że napięcie zasilania jest takie samo, jak podano na tabliczce znamionowej urządzenia. Źródło zasilania o napięciu większym niż napięcie określone dla narzędzia może spowodować poważne obrażenia użytkownika oraz uszkodzenie narzędzia. W przypadku wątpliwości nie podłączaj urządzenia do danego źródła zasilania. Korzystanie ze źródła zasilania o napięciu mniejszym niż napięcie określone na tabliczce znamionowej jest szkodliwe dla silnika.

- Trzymaj urządzenie wyłącznie za izolowane uchwyty, podczas cięcia, gdyż może dojść do przypadkowego przecięcia ukrytego okablowania, bądź nawet przewodu zasilającego narzędzia.** Zknięcie przewodu pod napięciem może przenieść prąd na metalowe elementy i doprowadzić do porażenia prądem operatora.
- Nie wolno się wychylać.** Osłona nie chroni użytkownika przed ostrzem pod obrabianym przedmiotem.
- Nigdy nie należy trzymać obrabianego materiału w rękach podczas cięcia, bądź między nogami.** Należy przymocować materiał do stabilnej powierzchni. Bardzo istotne jest odpowiednie zabezpieczenie przedmiotu, w celu zminimalizowania uszkodzeń, bądź utraty kontroli.

W celu uzyskania informacji dotyczących odzieży ochronnej oraz wyposażenia ochronnego, a także ogólnych informacji dotyczących zagrożeń związanych z korzystaniem z elektronarzędzi, należy zapoznać się z częściami Bezpieczeństwo ogólne i Bezpieczeństwo elektryczne niniejszego podręcznika.

- Nie należy zezwalać osobom poniżej 18 roku życia na korzystanie z tej wyrzynarki.
- Należy zadbać o odpowiednie oświetlenie.
- Nie należy pozostawiać w obszarze roboczym szmat, odzieży, przewodów, sznurów itp.
- Należy wyeliminować ryzyko potknięcia z obszaru roboczego.
- Przed rozpoczęciem obróbki upewnić się, że z przedmiotu obrabianego zostały usunięte wszystkie osadzone w nim elementy.
- Zabezpieczyć przedmiot obróbki podporą lub zaciskiem w celu uniknięcia wibracji i zapewnienia dokładnego cięcia.
- Patrz sekcja dotycząca specyfikacji w niniejszym podręczniku, w celu dokonania wyboru właściwego brzeszczotu. Niewłaściwy brzeszczot wyrzynarki może być nieprawidłowo zamocowany, stwarzając zagrożenie bezpieczeństwa.
- Należy stosować brzeszczoty w dobrym stanie technicznym.
- W celu uniknięcia możliwości porażenia prądem, zawsze trzymać narzędzie za izolowane uchwyty.
- Jeśli wystąpi sytuacja, w której trzeba przerwać pracę, należy zakończyć wykonywaną czynność i wyłączyć narzędzie przed zwroceniem uwagi w innym kierunku.
- Trzymać dłonie z dala od spodu przedmiotu obróbki.
- Należy upewnić się, że brzeszczot jest odpowiedni do przecinania danego materiału. Należy zadbać o to, aby wszelkie podpory i przewody zasilające nie przecinały linii cięcia.
- Jeśli urządzenie posiada osłony, należy zadbać o to, aby były one zainstalowane.
- Nie dociskać narzędzia zbyt mocno. Należy pozwolić, aby brzeszczot wykonywał cięcie we własnym tempie. Umożliwi to osiągnięcie lepszej wydajności i jak najdłuższego okresu eksploatacji narzędzia.
- Przed rozpoczęciem cięcia sprawdź, czy pod przedmiotem obróbki dostępna jest wystarczająca ilość przestrzeni.
- Pamiętaj, aby stopa narzędzia była zawsze dociśnięta do przedmiotu obróbki.
- Nie należy przecinać materiału o grubości większej niż określono to w rozdziale dotyczącym specyfikacji zamieszczonym w niniejszym podręczniku.
- Nie przeciążać, nie zginać i nie skręcać brzeszczotu podczas cięcia.
- Jeżeli cięcie nie sięga krawędzi przedmiotu obróbki, nie wyciągać brzeszczotu narzędzia z przedmiotu obróbki, aż do całkowitego zatrzymania.
- Nie usuwać pyłu, wiórów lub odpadów znajdujących się w pobliżu brzeszczotu narzędzia za pomocą dłoni.
- Nie sięgać ponad brzeszczot w celu usuwania odpadów lub odciętych fragmentów materiału.
- Brzeszczot ulega nagrzananiu podczas pracy narzędzia. Pozostawić do całkowitego ostygnięcia przed rozpoczęciem obsługi.
- W przypadku zaklinowania brzeszczotu, odłączyć urządzenie od źródła zasilania przed uwolnieniem ostrza.
- Należy okresowo sprawdzać wszystkie nakrętki, śruby oraz inne mocowania pod kątem obluźnienia, i dokręcić je, jeśli jest to konieczne.

Bezpieczeństwo korzystania z narzędzi tnących

OSTRZEŻENIE. Przed podłączeniem narzędzia do źródła zasilania (gniazda zasilania wtycznika sieciowego, sieci itp.) należy upewnić się, że napięcie zasilania jest takie samo, jak podano na tabliczce znamionowej urządzenia. Źródło zasilania o napięciu większym niż napięcie określone dla narzędzia może spowodować poważne obrażenia użytkownika oraz uszkodzenie narzędzia. W przypadku wątpliwości nie podłączaj urządzenia do danego źródła zasilania. Korzystanie ze źródła zasilania o napięciu mniejszym niż napięcie określone na tabliczce znamionowej jest szkodliwe dla silnika.

Użytkowanie odpowiedniego narzędzia tnącego

- Należy się upewnić, że narzędzie tnące jest odpowiednie do danej pracy. Nie wolno zakładać, że narzędzie jest odpowiednie bez sprawdzenia dokumentacji produktu przed zastosowaniem

Ochrona oczu

- Zawsze należy nosić odpowiednie środki ochrony oczu podczas korzystania z narzędzi tnących
- Okulary do czytania nie zapewniają żadnej ochrony podczas korzystania z narzędzia; zwykle soczewki nie są odporne na uderzenia i mogą ulec zniszczeniu

Ochrona słuchu

- Zawsze należy nosić odpowiednie środki ochrony słuchu podczas korzystania z narzędzi, których poziom natężenia dźwięku może przekroczyć 85dB

Ochrona dróg oddechowych

- Należy się upewnić o własnym oraz osób przebywających wokół o posiadaniu odpowiednich środków ochrony dróg oddechowych

Ochrona dłoni

- Nie wolno zbliżać dłoni do tarczy, bądź noży tnących. Korzystaj z dołączonego popychacza, dla krótkich przedmiotów obróbki z odpowiednimi elektronarzędziami.

Świadomość innych osób przebywających wokół

- Obowiązkiem operatora jest upewnić się o nie narażeniu osób znajdujących się w pobliżu obszaru roboczego na hałas lub kurz i wyposażeniu ich w odpowiedni sprzęt ochronny

Ukryte przedmioty

- Należy sprawdzić przedmiot roboczy i usunąć wszystkie kowadziele i inne obiekty osadzone w przedmiocie przed rozpoczęciem cięcia
- Nie wolno ciąć przedmiotu, który posiada osadzone obiekty, wyjątkiem są narzędzia, które nadają się do takiej pracy
- Ściany mogą ukrywać okablowanie, rury odpływowe, panele nadwozia przewody paliwowe, zaś wysoka trawa kamienie i szkło. Należy, więc zawsze przed rozpoczęciem pracy dokładnie sprawdzić obszar roboczy.

Montaż akcesorii tnących

- Należy się upewnić, że narzędzie tnące zostało prawidłowo zmontowane, a klucze i inne regulatory zostały usunięte przed rozpoczęciem pracy
- Należy używać tylko zalecanych akcesoriów dla danego urządzenia
- Nie wolno podejmować prób modyfikacji narzędzi skrawających
- Upewnić się, że noże są wystarczająco ostre, w dobrym stanie i odpowiednio zamontowane
- Nie próbuj ostrzyć noży, jeśli nie są do tego nie nadają, ostrzenie dotyczy noży specjalnie hartowanych bądź wykonanych z hartowanego stopu np. zawierających wolfram
- Noże, które nadają się do ostrzenia, powinny być ostrzone zgodnie z instrukcjami producenta. Może to dotyczyć ograniczonej liczby naostrzenia
- Ostrzone noże, powinny być częściej sprawdzane przed użyciem i natychmiastowo wymienione, w przypadku wątpliwości, co do ich stanu i użyteczności
- W przypadku osadzenia się noża w materiale podczas użycia, do którego nie został przeznaczony, należy go natychmiast wymienić

Kierunek wprowadzania materiału

- Należy wprowadzać materiał w stronę ostrza/tarczy w kierunku przeciwnym do ruchu ostrza

Uwaga na emisję ciepła

- Narzędzia tnące i obrabiane przedmioty nagrzewają się podczas użytkowania. Nie wolno dokonywać próby wymiany narzędzia do jego całkowitego ostygnięcia

Kontrola odpadów

- Nie wolno dopuścić do spiętrzenia się kurzu i materiału odpadowego. Trociny są zagrożeniem pożarowym, zaś niektóre metalowe opilki są wybuchowe
- Należy zachować szczególną ostrożność podczas cięcia drewna i metalu. Wydobywające się iskry w trakcie cięcia elementów metalowych są częstą przyczyną pożarów pozostałych trocin i innych odpadów drewnianych
- W miarę możliwości należy używać systemu odsysania pyłu w celu zapewnienia bezpiecznego środowiska pracy

Przedstawienie produktu

1. Uchwyt dodatkowy
2. Uchwyt główny
3. Przełącznik On/Off
4. Podstawa
5. Osłona podstawy
6. Pokrętko wyboru trybu pracy
7. Prowadnica brzeszczotu
8. Szczelina prowadnicy równoległej
9. Gwint pokrętki blokującej prowadnicę równoległą
10. Osłona brzeszczotu
11. Zwolnienie osłony brzeszczotu
12. Miejsce montażu brzeszczotu
13. Wentylatory silnika
14. Pokrętko regulacji prędkości
15. Śrubka dostępu do szczerok
16. Blokada kąta podstawy

Akcesoria (nieprzedstawione na zdjęciu):

- TJSBW10 Brzeszczot do cięcia drewna – zakrzywione cięcie
- TJSBW06 Brzeszczot do cięcia drewna i plastiku
- TJSBM21 Brzeszczot do cięcia metalu
- Adapter odsysania pyłu
- Prowadnica równoległa
- Pokrętła prowadnicy równoległej x 2
- Adapter szyny prowadzącej
- Miękkie futerał

Zastosowanie zgodne z przeznaczeniem

Wyrzynarka wahadłowa przeznaczona do tworzenia precyzyjnych prostych cięć oraz kształtowania drewna, plastiku oraz cienkiej blachy (przy użyciu odpowiedniego brzeszczotu). Możliwość podłączenia adaptera szyny prowadzącej Triton do wykonywania krótkich cięć wewnętrznych/kieszeniowych o prostych krawędziach.

Rozpakowanie narzędzia

- Ostrożnie rozpakuj i sprawdź narzędzie. Zapoznaj się ze wszystkimi mechanizmami i funkcjami.
- Upewnij się, że narzędzie zawiera wszystkie części i są one w dobrym stanie. Jeśli brakuje pewnych części lub są one uszkodzone, należy uzupełnić lub wymienić je przed rozpoczęciem korzystania z narzędzia.

Przygotowanie do eksploatacji

⚠ OSTRZEŻENIE: Upewnij się, że urządzenie jest odłączone od zasilania, przed wymianą akcesoriów, bądź dokonaniem regulacji.

Prowadnica brzeszczotu

- Prowadnica brzeszczotu (7) posiada mechanizm sprężynowy. W zależności od pozycji pokrętła trybu pracy (6), prowadnica pozostanie w ruchu standardowym (nie wahadłowym), bądź oscyluje w przód i tył, powodując, że brzeszczot zacznie tnąć w ruchu wahadłowym

Regulacja oscylacji wahadła

Tryb wahadłowy zapewnia bardziej efektywne cięcie materiału, poprzez wykonanie lekko zakrzywionych cięć oscylacyjnych. Umożliwia to lepsze cięcie w grubszym materiale obróbki, umieszczając ostrze i silnik pod mniejszym obciążeniem w trakcie użycia, pozwalając na niewielką ilość wolnej przestrzeni pomiędzy ostrzem a obrabianym przedmiotem podczas etapu cięcia.

Tryb wyboru pracy (6) posiada 4 stopnie:

- Tryb '0' umożliwi normalne cięcie bez oscylującego brzeszczotu
- Tryb 1, 2 oraz 3 uruchamia brzeszczot. Powoduje huśtanie się brzeszczotu w przód i w tył, dzięki czemu zwiększa efektywność cięcia
- Tryb 1, uruchamia najsłabsze oscylacje; zaś 3 najsilniejsze
- Zaleca się przetestowanie wyrzynarki na kawałku niepotrzebnego materiału, w celu dostosowania odpowiedniego trybu oscylacji

WAŻNE: Nie wolno dokonywać regulacji, kiedy wyrzynarka jest w trakcie pracy.

Regulacja podstawy do cięcia po skosie

Podstawa (4) posiada 3 ząbkowane pozycje kątowe (15°, 30° oraz 45°) po obu stronach lewej i prawej (Zdjęcie E):

1. Obróć wyrzynarkę do góry nogami i zwolnij blokadę kąta podstawy (16) przez podciągnięcie dźwigni (Zdjęcie D)
2. Dostosuj podstawę na wymaganą wysokość (Zdjęcie F)
3. Przykręć blokadę kąta podstawy

Uwaga: W celu wykonania dokładnej pracy, zaleca się przetestowanie trybu na kawałku zbędnego materiału, sprawdź cięcie i dokonaj regulacji do momentu osiągnięcia poprawnych ustawień.

Uwaga: W przypadku ustawienia podstawy poza ząbkowaną pozycję, istnieje ryzyko, że podczas vibracji podstawa przesunie się w trakcie pracy. Regulacja śrubą zabezpieczającą (Zdjęcie I) może okazać się konieczna.

Adapter odsysania pyłu

W przypadku korzystania z powyższego elektronarzędzia zaleca się użycie systemu ekstrakcji pyłu. Jest to niezwykle istotne zwłaszcza, gdy materiał obróbki jest pokryty nieznaną substancją toksyczną, stara powłoką, farbą, bądź innym substancją do drewna.

- Adapter odsysania pyłu (Zdjęcie N) należy przymocować z tyłu podstawy i podłączyć system odsysania pyłu, bądź domowy odkurzacz, w celu pozbycia się pyłu podczas pracy urządzenia

⚠ OSTRZEŻENIE: Gorące opłiki metalu generowane podczas cięcia metalu, mogą doprowadzić do zaognienia resztek drewnianych strużyn nagromadzonych w systemie odsysania pyłu. W takim przypadku system odsysania pyłu nie jest polecany do cięcia metalu, chyba, że wszelkie ryzyko z nim związane zostanie zlikwidowane.

Wymiana brzeszczotu

1. Obróć narzędzie do góry nogami, aby móc się dostać do brzeszczotu (Image D)
2. Pociągnij za zwolnienie osłony brzeszczotu (11), wyjmij stare ostrze i wymień na nowe (Zdjęcie C)
3. Pozwól, aby zwolnienie osłony brzeszczotu wróciło na swoje miejsce
4. Sprawdź, czy ostrze zostało poprawnie zamontowane równo w prowadnicy brzeszczotu (7)

Uwaga: W przypadku trudności wyjęcia brzeszczotu, należy bardzo delikatnie uderzyć go drewnianym pobijakiem, bądź podobnym narzędziem. Uwolni to ostrze, które następnie będzie mogło zostać wyjęte.

Mocowanie osłony podstawy

Wyrzynarka jest wyposażona w osłonę podstawy (5), która zapobiega przed uszkodzeniem i doprowadzeniem do zarysowań różnych powierzchni. Skontaktuj się, ze swoim liderem Triton w celu otrzymania informacji na temat dodatkowej osłony dla innych powierzchni.

- Aby zdjąć osłonę, odepnij klips z tyłu podstawy (4), po czym wyjmij od przodu (Zdjęcie J)
- Aby zamontować osłonę, zapnij z przodu podstawy, a potem dopasuj z tyłu

Mocowanie adaptera szyny prowadzącej

Adapter szyny prowadzącej zapewnia łatwe użycie prowadnicy równoległej do cięcia krótkich i prostych cięć wgłębnych/kieszeniowych oraz wycięć o prostych krawędziach

- Umieść klipsy adaptera nad podstawą (4) bez zamontowanej osłony (5)
- Dopasuj przód podstawy do adaptera szyny mocującej, po czym zamknij klips z tyłu podstawy.
- Adapter szyny prowadzącej pasuje nad szynę prowadzącą jak przedstawiono (Zdjęcie P), aby zapewnić dokładne wykonywanie cięć prostych

Mocowanie prowadnicy równoległej

Prowadnica równoległa opiera się na krawędzi materiału obróbki, bądź innej krawędzi równoległej do wykonywania prostych cięć na materiale obróbki.

1. Umieść 2 pokrętła na gwintach (9), ale nie dokręcaj
2. Umieść prowadnicę równoległą w szczelinie (8) po odpowiedniej stronie cięcia, upewniając się, że krawędź płytki prowadnicy równoległej skierowany jest do dołu (Zdjęcie O)
3. Dostosuj do konkretnej długości, przy użyciu skali umieszczonej na prowadnicy, bądź innego narzędzia pomiarowego
4. Dokręć pokrętła do prowadnicy równoległej, aby były gotowe do użycia

Obsługa

⚠ OSTRZEŻENIE: Należy ZAWSZE nosić okulary ochronne, maskę przeciwpyłową oraz rękawice podczas pracy powyższym urządzeniem.

Regulacja prędkości cięcia <moved>

Prędkość wyrzynarki może być regulowana przed użyciem, jak również w jego trakcie, przy pomocy pokrętła regulacji prędkości (14) z tyłu urządzenia. Wcześniejsze ustawienie urządzenia, pozwoli operatorowi na koncentrację kontroli narzędzia, bezpiecznie trzymając za obydwa uchwyty (1) oraz (2). Prędkość cięcia brzeszczotu może być zmieniana w zależności od obrabianego materiału. Poprawia to wydajność cięcia i chroni brzeszczot przed przedwczesnym zużyciem:

- Użyj pokrętła regulacji prędkości (14) do jej poprawnego ustawienia

Włączanie i wyłączanie

1. Podłącz urządzenie do głównego zasilania
 2. Uruchoom wyrzynarkę przez pchnięcie przełącznika On/Off (3) w przód i w dół do zablokowania w pozycji 'On' (Zdjęcie A i B)
 3. Wciśnij w dół na tył przełącznika On/Off co sprawi, że przełącznik z mechanizmem sprężynowym zostanie przesunięty na pozycję zatrzymania
- Generator linii lasera emituje intensywną czerwoną wiązkę czerwonego światła do prowadzenia linii cięcia. Poprawia to wizję cięcia, umożliwia szybszą pracę, lepsze ustawienia oraz zwiększa dokładność i bezpieczeństwo pracy.

Cięcie

OSTRZEŻENIE: Upewnij się, że zwolnienie osłony brzeszczotu (11), okienko osłony brzeszczotu (10) są w dobrym stanie technicznym, poprawnie ustawione, aby zapobiec zetknięcia się z zębami ostrza.

1. Ustaw przód podstawy (4) na krawędzi materiału obróbki (Zdjęcie M) i rozpocznij cięcie
2. Pozwól, aby urządzenie osiągnęło maksymalną prędkość przed wprowadzeniem ostrza w przedmiot
3. Powoli i ostrożnie naprowadzaj wyrzynarkę używając dwóch rąk, opierając podstawę o materiał
4. Nie przeciążaj urządzenia: pozwól maszynie na samodzielną pracę. Zastosuj wystarczającą siłę, aby utrzymać narzędzie w pracy

Cięcie kieszeniowe oraz okrągłe

- W trakcie rozpoczęcia pracy, wywierć otwór wielkości 12 mm średnicy, z boku niepotrzebnego materiału, który ma być cięty, upewniając się, że jest wystarczająco miejsca na brzeszczot (Zdjęcie L)
- Podczas cięcia zakrzywień, zmniejsz prędkość (Zdjęcie K)

OSTRZEŻENIE: Nie przesuwaj wyrzynarki w przód, dopóki brzeszczot nie wejdzie w materiał, a stopka nie zostanie oparta o powierzchnię materiału.

Korzystanie z prowadnicy równoległej

- Użyj prowadnicy równoległej do wykonywania prostych linii cięć, co może być krawędzią obrabianego materiału, bądź kawałkiem drewna zaciśniętym do materiału obróbki
- Prowadnica jest użyteczna zwłaszcza podczas wykonywania powtarzalnych cięć

Cięcie metalu

- Podczas cięcia metalu, należy korzystać z odpowiedniego oleju chłodzącego
- Nanieć olej na brzeszczot bądź przedmiot w regularnych odstępach podczas pracy, aby zmniejszyć zużycie brzeszczotu

Akcesoria

- Szeroki zakres akcesoriów dla wyrzynarki, w tym brzeszczoty do cięcia różnorodnego materiału, są dostępne u dystrybutora firmy Triton. Części wymienne zaś na stronie www.toolsparsonline.com

Konserwacja

OSTRZEŻENIE: ZAWSZE należy odłączyć urządzenie od zasilania przed dokonaniem konserwacji, bądź czyszczeniem.

Kontrola rutynowa

- Regularnie sprawdzaj, czy wszystkie śruby mocujące są odpowiednio dokręcone. Wibracje mogą powodować ich poluzowanie.
- Sprawdź przewód zasilania urządzenia pod kątem uszkodzeń i zużycia za każdym razem przed rozpoczęciem użytkowania urządzenia. Naprawy powinny być przeprowadzane przez autoryzowane centrum serwisowe Silverline. Zalecenie to dotyczy również przewodów zasilania wykorzystywanych przy urządzeniu.

Czyszczenie

OSTRZEŻENIE: ZAWSZE podczas czyszczenia urządzenia stosuj środki ochrony osobistej, takie jak okulary i rękawice ochronne.

- Należy zawsze dbać o czystość urządzenia. Brud i kurz powodują szybsze zużycie elementów wewnętrznych i skracają okres eksploatacji urządzenia.
- Należy czyścić korpus urządzenia miękką szmatką lub suchą ścierką.
- Do czyszczenia elementów plastikowych nie należy używać środków żrących. Jeśli czyszczenie na sucho nie przynosi wystarczających efektów, zalecane jest użycie wilgotnej szmatki i łagodnego detergentu.
- Nie wolno dopuszczać do kontaktu urządzenia z wodą.
- Upewnij się, że urządzenie jest całkowicie suche przed ponownym włączeniem.
- Jeśli to możliwe, przedmuchaj otwory wentylacyjne czystym powietrzem sprężonym (w stosownych przypadkach).

Smarowanie

Regularnie smaruj wszystkie elementy ruchome urządzenia odpowiednim środkiem smarnym w aerozolu.

Szczotki

Szczotki węglowe wewnątrz silnika mogą ulec zużyciu z biegiem czasu. Nadmierne zużycie szczotek może powodować utratę mocy, sporadyczne awarie lub widoczne iskrzenie

1. Aby wymienić szczotki należy wykręcić śrubę dostępu (15) i delikatnie pociągnąć z osłony z tyłu urządzenia
 2. Wyjmij małą śrubkę (Zdjęcie G), po czym podnieś ramę, która utrzymuje szczotki węglowe na 12 mm (1/2"), po czym ostrożnie wyjmij elektryczne złącze (wskazane na zdjęciu H)
 3. Pchnij złącze z miedzianym drutem przez ramę do wyciągnięcia zużytych szczotek
 4. Umieść złącze i drut na nowej szczotce umieszczając przez ramę w w jej wnętrzu
 5. Podłącz elektryczne złącze (Zdjęcie H)
 6. Ostrożnie umieść ramę z powrotem w zagłębieniu i przymocuj przy użyciu śrubki
 7. Optycznie sprawdź, czy rama została poprawnie zainstalowana
 8. Powtórz kroki 2-7 dla drugiej szczotki
 9. Zainstaluj ponownie osłonę podstawy (5) oraz śrubkę dostępu do szczotek upewniając się, że główny kabel nie został zatrzasknięty, zaś pokrętko regulacji prędkości (14) jest wyrównane
 10. Wyjmij brzeszczot z urządzenia i podłącz je do zasilania
 11. Uruchoom urządzenie na wolnych obrotach, po czym zwiększ prędkość, aby upewnić się, że wyrzynarka działa prawidłowo
- Alternatywnie, zaleca się oddanie elektronarzędzia do serwisu Triton

WAŻNE: Zawsze wymieniaj szczotki węglowe w parach.

Przechowywanie

- Należy przechowywać narzędzie w bezpiecznym, suchym miejscu niedostępnym dla dzieci.

Utylizacja

Należy zawsze przestrzegać przepisów krajowych dotyczących utylizacji elektronarzędzi, które nie są już funkcjonalne i nie nadają się do naprawy.

- Nie wyrzucaj elektronarzędzi lub innych odpadów elektrycznych i elektronicznych (WEEE) wraz z odpadami komunalnymi.
- Skontaktuj się z władzami lokalnymi zajmującymi się utylizacją odpadów, aby uzyskać informacje na temat prawidłowego sposobu utylizacji elektronarzędzi

Gwarancja

W celu rejestracji gwarancji odwiedź naszą stronę internetową www.tritontools.com* i podaj odpowiednią dane.

Dane zostaną dodane do naszej listy wysyłkowej (chyba, że wskazano inaczej) w celu przesyłania informacji dotyczących przyszłych produktów. Dostarczone dane nie zostaną udostępnione osobom trzecim.

Protokół zakupu

Data zakupu: ___/___/___

Model: XXXX Należy zachować paragon jako dowód zakupu

Deklaracja Zgodności WE

Niżej podpisany: Mr Darrell Morris

upoważniony przez: Triton Tools

Oświadcza, że

Powyższa deklaracja została wydana na wyłączną odpowiedzialność producenta.

Opisany powyżej przedmiot deklaracji jest zgodny z właściwymi przepisami Unijnego prawodawstwa harmonizacyjnego

Kod identyfikacyjny: XXXX

Opis: XXXX

Produkt jest zgodny z następującymi dyrektywami oraz normami:

- Dyrektywa maszynowa 2006/42/EC
- Dyrektywa niskonapięciowa 2014/35/EC
- Dyrektywa kompatybilności elektromagnetycznej 2014/30/EC
- Dyrektywa RoHS 2011/65/EU
- EN 60745-1
- EN 60745-2-4
- EN 55014-1
- EN 55014-2
- EN 61000-3-2
- EN 61000-3-3
- EN 62321

Precyzyjne Elektronarzędzia Triton gwarantują nabywcy tego produktu pewność, iż w razie usterki bądź uszkodzenia z powodu wad materiałowych lub jakości wykonania, w ciągu 3 lat od daty zakupu, firma Triton naprawi bądź według własnego uznania bezpłatnie wymieni uszkodzoną część.

Powyższa gwarancja nie pokrywa szkód spowodowanych naturalnym zużyciem, nieprawidłowym użytkowaniem, nieprzestrzeganiem zaleceń obsługi, wypadkami lub wykorzystaniem urządzenia do celów komercyjnych.

* Zarejestruj swój produkt w ciągu 30 dni od daty zakupu.

Obowiązują zasady i warunki użytkowania.

Powyższe postanowienia nie mają wpływu na prawa ustawowe klienta.

Jednostka notyfikowana: TÜV Rheinland Co., Ltd.

Dokumentacja techniczna produktu

znajduje się w posiadaniu: Triton Tools

Data: XXXXXXXX

Podpis:



Darrell Morris

Dyrektor Naczelny

Nazwa i adres producenta:

Powerbox International Limited, zarejestrowany pod numerem 06897059.

Adres rejestracyjny firmy : Powerbox Int. Ltd. Somerset, BA22 8HZ, United Kingdom.

Перевод исходных инструкций

Введение

Благодарим за выбор инструмента Triton. В этом руководстве содержится информация, необходимая для безопасной и эффективной эксплуатации изделия. Данное изделие отличается некоторыми уникальными особенностями, и даже если вы уже знакомы с аналогичными изделиями, важно внимательно прочитать это руководство и понять содержащиеся в нем инструкции. Убедитесь, что каждый пользователь инструмента ознакомился с руководством и понял его.

Символы и обозначения

На паспортную табличку инструмента могут быть нанесены символы. Они предоставляют важную информацию об изделии или инструкции по его эксплуатации.



Пользоваться средствами защиты органов слуха
Пользоваться средствами защиты органов зрения
Пользоваться средствами защиты органов дыхания
Пользоваться средствами защиты головы



Пользоваться средствами защиты рук



Прочитайте руководство



Осторожно!



Ядовитые пары или газы!



БЕРЕЧЬ от дождя и влаги!



Перед регулировкой, сменой оснастки, чисткой, обслуживанием и хранением прибора всегда отключайте его от сети питания.



ВНИМАНИЕ! Движущиеся детали: опасность раздавливания и порезов.



Конструкция класса II (двойная изоляция для дополнительной защиты)



Охрана окружающей среды
Утилизация электротехнических изделий с бытовым мусором запрещена. Такие изделия сдают в пункты утилизации, имеющие специальное оборудование. За рекомендациями по утилизации обращайтесь в местные органы власти или к дилеру.



Соответствует применимым законодательным актам и нормам безопасности.

Технические характеристики

В	Напряжение (В)	Ø	Диаметр
~, АС	Переменный ток	Гц	Герц
A, mA	Ампер, миллиампер	—, DC	Постоянный ток
A, mA	Частота вращения без нагрузки	Вт, кВт	Ватт, киловатт
в/мин	Номинальная частота вращения	/мин или мин⁻¹	Число операций в минуту
х/мин	Число вращательных или возвратно-поступательных движений в минуту	об/мин	Число оборотов в минуту
rpm	Число ходов в минуту	дБ(А)	Уровень звука в децибелах (взвешенный по А)
°	Градусы	м/с²	Метры в секунду в квадрате (значение вибрации)

Технические характеристики

Напряжение:	230 В переменного тока, 50 Гц
Мощность:	750 Вт
Скорость без нагрузки:	800–3000 мин ⁻¹
Ход:	26 мм
Крепление полотна:	Штыковой Т-образный хвостовик
Поставляемые полотна:	<p>Полотно для резки по дереву: низкопрофильные сложные разрезы в деревянных заготовках (из натуральной древесины и композитных материалов)</p> <p>Полотно для резки по дереву: быстрые прямые разрезы в заготовках из древесины (натуральной древесины и композитных материалов) и пластика</p> <p>Полотно для резки по металлу: для черных и цветных металлов</p>
Маятник:	3 ступени
Диапазон углов резки:	0°, 15°, 30° и 45° (слева и справа)
Глубина резки в зависимости от материала:	
Древесина:	110 мм
Алюминий:	25 мм
Сталь:	10 мм
Габаритные размеры (Д x Ш x В):	340 x 85 x 215 мм
Масса:	3,5 кг
Ввиду того, что продукция постоянно совершенствуется, технические характеристики изделий Triton могут изменяться без уведомления.	

Информация по шуму и вибрации:	
Уровень звука излучения $L_{\text{вк}}$:	80,9 дБ(А)
Корректированный уровень звуковой мощности $L_{\text{вм}}$:	91,9 дБ(А)
Погрешность К:	3 дБ
Типовое взвешенное вибрационное ускорение:	
При резке по дереву:	13,2 м/с ²
При резке по листовому металлу:	13,8 м/с ²
Погрешность:	1,5 м/с ²
Уровень звука, воздействующего на оператора, может превышать 85 дБ(А). Использование средств защиты органов слуха обязательно.	

ВНИМАНИЕ! Если уровень звука превышает 85 дБ(А), то обязательно используйте средства защиты органов слуха. При необходимости ограничьте продолжительность работы. Если шум вызывает дискомфорт даже при использовании средств защиты, незамедлительно выключите инструмент и убедитесь, что защита надета правильно, а ее звукоизолирующие характеристики соответствуют уровню звука, вырабатываемого инструментом.

ВНИМАНИЕ! Воздействие вибрации инструмента на человека может вызвать потерю чувствительности, онемение, покалывание и снижение способности удерживать предметы. Продолжительное воздействие чревато развитием хронических заболеваний. При необходимости ограничьте продолжительность работы и пользуйтесь антивибрационными перчатками. Не работайте в ручном режиме, если температура ниже комфортного уровня: в таких условиях вибрация оказывает более выраженное воздействие на организм. Продолжительность и периодичность работы с инструментом можно рассчитать по значениям, которые приведены в разделе «Технические характеристики».

Указанные в характеристиках уровни звука и вибрации получены в соответствии с EN60745 или аналогичными международными стандартами. Значения справедливы для инструмента в нормальном рабочем состоянии, эксплуатируемого в нормальных условиях. Нарушение регламента обслуживания, порядка сборки или эксплуатации инструмента может являться причиной повышения уровня звука и вибраций. На сайте www.osha.europa.eu представлена информация по уровням звука и вибраций на рабочем месте, которая может оказаться полезной для пользователей, работающих с инструментом в бытовых условиях в течение продолжительного времени.

Общие правила техники безопасности

ВНИМАНИЕ! Ознакомьтесь со всеми предупреждениями и инструкциями. Пренебрежение предупреждениями и инструкциями чревато поражением электрическим током, пожаром и/или серьезными травмами.

ВНИМАНИЕ! Эксплуатация прибора детьми, лицами с ограниченными физическими или умственными возможностями и лицами, не имеющими достаточного опыта или знаний, разрешается только при условии, что они будут находиться под присмотром ответственного за их безопасность или получат от него необходимые инструкции по работе с прибором. Не оставляйте детей без присмотра и не позволяйте им играть с прибором.

Сохраните все предупреждения и инструкции на будущее.

В разделе, посвященном технике безопасности, термин «электроинструмент» относится как к проводным (работающим от сети), так и к беспроводным (работающим от аккумулятора) инструментам.

1) Безопасность на рабочем месте

- Следите за чистотой и освещенностью рабочего места. Беспорядок или недостаток освещения повышают вероятность несчастного случая.
- Не работайте с электроинструментом во взрывоопасной атмосфере (например, в присутствии воспламеняющихся жидкостей, газов или пыли). Электроинструмент вырабатывает искры, которые могут воспламенить пыль или пары.
- Во время работы с электроинструментом не позволяйте детям и посторонним лицам приближаться к вам. Они будут отвлекать ваше внимание, и вы можете потерять управление.

2) Электробезопасность

- Вилки электроинструмента должны соответствовать розеткам. Категорически запрещается вносить какие-либо изменения в конструкцию вилок. Не разрешается подключать заземленный электроинструмент к сети через переходники. Применение стандартных вилок и соответствующих им розеток снижает риск поражения электрическим током.
- Не касайтесь заземленных предметов: трубопроводов, радиаторов, электрических плит и холодильников. Если ваше тело заземлено, то риск поражения электрическим током увеличивается.
- Берегите электроинструмент от дождя и влаги. Попадание воды внутрь электроинструмента увеличивает риск поражения электрическим током.
- Не допускайте повреждения электрического шнура. Запрещается переносить, тянуть или отключать электроинструмент от сети за шнур. Берегите шнур от нагрева, контакта с маслом, острыми кромками или движущимися деталями. Поврежденный или запутанный шнур увеличивает риск поражения электрическим током.
- При работе с электроинструментом вне помещения пользуйтесь удлинителем, пригодным для эксплуатации в таких условиях. Применение удлинителя, пригодного для эксплуатации вне помещения, снижает риск поражения электрическим током.
- Если работа во влажных условиях неизбежна, то электроинструмент следует подключать к источнику питания, снабженному устройством защитного отключения (УЗО). Применение УЗО снижает риск поражения электрическим током.

3) Личная безопасность

- Будьте внимательны, следите за тем, что делаете и руководствуйтесь здравым смыслом при работе с электроинструментом. Запрещается пользоваться электроинструментом, если вы устали или находитесь под действием алкоголя, наркотиков или лекарственных препаратов. Даже кратковременное ослабление внимания во время работы чревато тяжелой травмой.
- Пользуйтесь средствами индивидуальной защиты. Всегда используйте средства защиты органов зрения. Грамотное применение средств защиты (например, респиратора, несכולящейся защитной обуви, каски или средств защиты органов слуха) снижает риск травм.
- Не допускайте непреднамеренного включения. Перед тем как подключить инструмент к розетке и/или аккумулятору, поднимайте или переносите его убедитесь, что выключатель питания находится в положении «выключено». Если держать палец на выключателе питания при переносе инструмента или зарядка инструмента с включенным выключателем питания, то риск несчастного случая увеличится.
- Грибайте регулировочные ключи прежде чем включить электроинструмент. Газеный ключ, присоединенный к вращающейся части электроинструмента, может нанести травмы.
- Не тяните за пределы комфортной зоны досягаемости. Твердо стойте на ногах и сохраняйте равновесие. Это позволит увереннее контролировать инструмент в неожиданных ситуациях.
- Одевайтесь надлежащим образом. Свободная одежда и украшения не допускаются. Держите волосы, одежду и перчатки подальше от движущихся частей инструмента. Свободную одежду, украшения или длинные волосы может наматывать на движущиеся части.
- Обязательно используйте устройства вытяжки и сбора пыли, если конструкцией предусмотрены соединители для них. Соблюдайте правила их эксплуатации. Такие устройства снижают риски, связанные с пылью

4) Эксплуатация электроинструмента и уход за ним

- Не допускайте перегрузки электроинструмента. Правильно подбирайте инструмент под свои задачи. Грамотно подобранный инструмент будет работать качественнее и безопаснее без превышения номинальной нагрузки.
- Не работайте с электроинструментом, если выключатель питания не включается или не выключается. Любой электроинструмент с неработающим выключателем опасен и подлежит ремонту.
- Отсоединяйте электроинструмент от розетки и/или аккумулятора, прежде чем выполнять настройку, менять оснастку или складывать его на хранение. Данная мера предосторожности исключает случайный пуск инструмента.
- Храните электроинструмент в местах, недоступных для детей, и не позволяйте работать с ним лицам, не знакомым с электроинструментом или не изучившим данные инструкции. Электроинструмент опасен в неумелых руках.

- д) Обслуживайте электроинструмент. Следите за тем, чтобы не было бинения или заедания движущихся частей, сломанных деталей или признаков других неисправностей, способных повлиять на работу электроинструмента. Если инструмент поврежден, то эксплуатацию разрешается возобновлять только после ремонта. Причиной многих несчастных случаев становится неудовлетворительное обслуживание электроинструмента.
- е) Следите за чистотой режущего инструмента и состоянием его режущих кромок. Если режущий инструмент надлежащим образом обслужен, то снижается вероятность защемления и облегчается управление.
- ж) Соблюдайте эти инструкции при эксплуатации электроинструмента, осяски и режущего инструмента. Учитывайте условия и особенности предстоящей работы. Использование электроинструмента не по назначению может быть опасным.

ВНИМАНИЕ! При эксплуатации инструмента на территории Австралии или Новой Зеландии рекомендуется ВСЕГДА включать в цепь питания устройство защитного отключения (УЗО) с номинальным остаточным током 30 мА или меньше.

5) Ремонт

- а) Ремонт электроинструмента должен производиться квалифицированным специалистом с использованием идентичных частей. Только в этом случае ремонт электроинструмента не скажется на его безопасности отрицательным образом.

Правила безопасности при работе с лобзиком

ВНИМАНИЕ! Перед подключением инструмента к источнику питания (точка подключения, розетка и т.д.) убедитесь, что напряжение питания соответствует значению, указанному на паспортной табличке инструмента. Если напряжение источника питания выше этого значения, то подключение инструмента к такому источнику может привести к серьезным травмам пользователя и выходу инструмента из строя. Если имеются сомнения – не подключайте инструмент. Использование источника питания, напряжение которого ниже номинального напряжения инструмента, может привести к поломке электродвигателя.

- Если во время работы режущий инструмент может коснуться скрытой проводки или шнура питания, то электроинструмент следует держать за изолированные рукоятки. Надрезание находящегося под напряжением проводника может привести к тому, что неизолированные металлические детали инструмента тоже окажутся под напряжением. Это чревато поражением электрическим током.
- Не тяните под заготовку. Ограждение не защитит вас от пильного диска, если он выйдет с нижней стороны заготовки.
- Категорически запрещается удерживать обрабатываемую заготовку руками или ногами. Крепите заготовку к устойчивой опоре. Очень важно обеспечить надлежащую опору заготовки: это позволит свести к минимуму риск травм, защемления пильного диска или потери управления.

Требования к защитной одежде и оборудованию и общие правила техники безопасности при работе с электроинструментом смотрите в разделах «Общие правила техники безопасности» и «Электробезопасность».

- Лицам младше 18 лет запрещается работать с лобзиком.
- Обеспечьте хорошее освещение.
- Следите за тем, чтобы рядом с рабочим местом не было тряпок, шнуров, веревок и подобных предметов.
- Уберите все, обо что можно споткнуться.
- Перед началом работы осмотрите заготовку и удалите из нее все посторонние предметы.
- Во избежание вибраций и для обеспечения высокого качества разреза заготовку необходимо уложить на опору или зажать.
- Правильный тип полотна указан в разделе «Технические характеристики» настоящего руководства. Неподходящее полотно может вылететь. Это опасно.
- Не допускается использовать полотно, находящееся в плохом состоянии.
- Если вас прервали во время работы, остановитесь, отключите инструмент и только потом отвлекайтесь от него.
- Не протягивайте руки под заготовку.
- Используемое полотно должно соответствовать обрабатываемому материалу. Не допускайте того, чтобы опоры или силовые кабели попадали на траекторию движения полотна.
- Если конструкцией предусмотрены ограждения, проследите за тем, чтобы они были установлены на свои места.
- Не давите на инструмент. Пусть полотно работает подходящим для него темпом. В этом случае качество работы и срок службы инструмента будут максимальными.
- Перед работой убедитесь, что под заготовкой достаточно места для выхода полотна.

- Подошва всегда должна упираться в заготовку.
- Не пытайтесь обрабатывать материал, толщина которого превышает указанную в разделе «Характеристики» глубину резания.
- Не допускайте изгибания или скручивания полотна во время резки.
- Если пропилил не доходит до края заготовки, отключите инструмент, дождитесь полной остановки полотна и поднимите инструмент с заготовки.
- Запрещается удалять пыль, стружку и отходы с участков вблизи полотна руками.
- Запрещается тянуться над полотном, чтобы удалить отходы и обрезки.
- Во время работы полотно нагревается. Дайте ему полностью остыть, прежде чем осуществлять какие-либо манипуляции с ним.
- Если произойдет заедание полотна, отключите инструмент от сети питания, и только тогда пытайтесь освободить полотно.
- Периодически проверяйте все гайки, болты и другие крепежные детали и, при необходимости, подтягивайте их.

Безопасность при работе с режущим инструментом

ВНИМАНИЕ! Перед подключением инструмента к источнику питания (точка подключения, розетка и т.д.) убедитесь, что напряжение питания соответствует значению, указанному на паспортной табличке инструмента. Если напряжение источника питания выше этого значения, то подключение инструмента к такому источнику может привести к серьезным травмам пользователя и выходу инструмента из строя. Если имеются сомнения – не подключайте инструмент. Использование источника питания, напряжение которого ниже номинального напряжения инструмента, может привести к поломке электродвигателя.

Используйте подходящий режущий инструмент

- Убедитесь, что инструмент подходит для выполнения работы.
- Не следует считать инструмент подходящим, не ознакомившись предварительно с документацией на изделие.

Защита органов зрения

- При работе с режущими инструментами всегда используйте подходящие средства защиты органов зрения.
- Обычные очки не являются защитой при работе с этим изделием: линзы не обладают ударной прочностью и могут разбиться.

Защита органов слуха

- Всегда используйте подходящие средства защиты органов слуха, если шум инструмента превышает 85 дБ.

Защита органов дыхания

- Вы и окружающие должны использовать подходящие respirаторы.

Помните о безопасности рук

- Держите руки на безопасном расстоянии от режущего диска или ножей. При обработке коротких заготовок электроинструментом пользуйтесь подходящей палочкой-толкателем.

Помните об окружающих

- Пользователь обязан добиться того, чтобы другие люди, находящиеся вблизи рабочей зоны, не подвергались воздействию опасного шума или пыли и были обеспечены подходящими средствами защиты.

Скрытые объекты

- Перед началом работы осмотрите заготовку и удалите все содержимое в ней посторонние объекты.
- Не пытайтесь обрабатывать заготовку с посторонними объектами, если не уверены в том, что установленный режущий инструмент соответствует такой работе.
- В стенах может находиться скрытая проводка и трубопроводы, за кузовными элементами автомобилей могут располагаться топливпроводы, а в длинной раме могут скрываться камни и стекло. Всегда тщательно проверяйте рабочую зону перед началом работы.

Остерегайтесь разлетающихся отходов

- В некоторых случаях отходы могут отлетать от режущего инструмента на высокой скорости. Пользователь обязан принять все меры защиты людей, находящихся в рабочей зоне, от разлетающихся отходов.

Установка режущих инструментов

- Следите за тем, чтобы режущие инструменты были установлены правильно и надежно. Перед началом работы проверяйте, что ключи / регулировочные приспособления удалены.
- Используйте только те режущие инструменты, которые были рекомендованы для вашего устройства.

- Не пытайтесь изменять конструкцию режущих инструментов.
- Убедитесь, что режущие инструменты заточены, находятся в хорошем состоянии и правильно установлены.
- Не пытайтесь перетачивать не предназначенные для этого ножи. К таким ножам относятся специальным образом упрочненные ножи или ножи из твердых сплавов, которые обычно содержат вольфрам.
- Переточку режущих инструментов (если это можно делать) осуществляют только в соответствии с инструкциями производителя. Количество переточек может быть ограничено.
- Заточенные инструменты тщательно осматривайте перед использованием и в случае сомнений, касающихся их состояния и пригодности к эксплуатации, немедленно заменяют их.
- Если во время работы режущий инструмент наткнется на скрытый предмет, на обработку которого он не рассчитан, то такой инструмент следует сразу же заменить.

Направление подачи

- Всегда подавайте заготовку на нож или резак в направлении, противоположном направлению движения ножа или резака.

Берегитесь нагрева

- Режущие инструменты и заготовки могут нагреваться во время работы. Не пытайтесь сменить инструмент, не дожидаясь полного его остывания.

Обеспечивайте удаление пыли / стружки

- Не позволяйте пыли ли стружке скапливаться. Древесные опилки пожароопасны, а опилки некоторых металлов могут взрываться.
- Соблюдайте особую осторожность при обработке дерева и металла. Искры, возникающие при обработке металлов, являются распространенной причиной воспламенения древесной пыли.
- По возможности используйте систему вытяжки. Она позволит повысить безопасность рабочей среды.

Знакомство с изделием

1. Вспомогательная рукоятка
2. Главная рукоятка
3. Выключатель
4. Основание
5. Крышка основания
6. Переключатель режимов
7. Направляющая для полотна
8. Паз для параллельной направляющей
9. Резьба для ручки фиксации параллельной направляющей
10. Ограждение полотна
11. Ручка освобождения полотна
12. Держатель полотна
13. Отверстия для охлаждения электродвигателя
14. Кольцо регулировки скорости
15. Винт крышки щеток
16. Фиксатор угла основания

Оснастка (не указана):

- TJSBW10 Полотно для резки по дереву (для выполнения пропилов сложной формы)
- TJSBW06 Полотно для резки по дереву и пластику
- TJSBM21 Полотно для резки по металлу
- Переходник соединителя для отвода пыли
- Параллельная направляющая
- Ручки крепления параллельной направляющей (2 шт.)
- Переходник для направляющей
- Мягкий мешок

Назначение

Лобзик с маятниковым ходом для прямой и фасонной резки древесины, пластика и тонколистового металла (с использованием соответствующих полотен). Инструмент предназначен для операций средней сложности. Может присоединяться к направляющей системе Triton для выполнения коротких/глубоких разрезов и вырезов с прямыми углами. <Pretty much confirmed with have the track adaptor>

Распаковывание инструмента

- Аккуратно распакуйте и осмотрите новый инструмент. Ознакомьтесь со всеми характеристиками и функциями.
- Убедитесь, что все детали инструмента находятся в хорошем состоянии. Если какие-либо детали отсутствуют или повреждены, то эксплуатация инструмента разрешается только после замены таких деталей.

Перед эксплуатацией

⚠️ ВНИМАНИЕ! Прежде чем устанавливать или менять какую-либо оснастку или выполнять регулировку, отключите инструмент от сети питания.

Направляющая для полотна

- Направляющая для полотна (7) нагружена пружиной. В зависимости от положения переключателя режимов (6), направляющая для полотна либо остается неподвижной, либо перемещается вперед и назад, обеспечивая маятниковый ход полотна.

Настройка маятникового хода

Маятниковый ход повышает эффективность резки, но получаемый разрез имеет небольшую кривизну. Данный режим улучшает качество резки более толстых заготовок и разгружает электродвигатель и полотно за счет создания небольшого зазора между полотном и заготовкой на некоторых рабочих движениях.

Переключатель режимов (6) имеет 4 положения:

- Положение 0: нормальная резка без маятникового хода.
- Положения 1, 2 и 3 активируют маятниковый ход. Во время резки полотно начинает слегка раскачиваться вперед и назад, за счет чего повышается эффективность работы.
- Положение 1 – минимальный маятниковый ход, положение 3 – максимальный ход.
- Экспериментируя на ненужном куске материала, определите наиболее подходящий маятниковый ход для обрабатываемой заготовки.

ВАЖНО! Запрещается настраивать маятниковый ход во время работы лобзика.

Регулировка основания для резки под углом

В основании (4) слева и справа имеются 3 паза для обработки под углом (15°, 30° и 45°) (рисунок E).

1. Переверните лобзик и, пользуясь рычагом, освободите фиксатор угла основания (16) (рисунок D).
2. Установите основание в нужное положение (рисунок F).
3. Затяните фиксатор угла основания.

Примечание. Для повышения точности работы выполните пробный проход по ненужному куску материала. Проверьте разрез и внесите необходимые изменения в настройки для получения желаемого результата.

Примечание. Если нужно задать угол основания, отличающийся от углов фиксированных положений пазов, следует помнить, что основание будет держаться только за счет трения и может сдвинуться во время работы. Поэтому может потребоваться точная настройка болта крепления основания (рисунок I).

Переходник соединителя для отвода пыли

Рекомендуется применять систему вытяжки пыли с этим инструментом. Благодаря вытяжке рабочая среда будет чище и безопаснее. Вытяжка особенно важна в том случае, когда токсичность заготовки неизвестна: т.е. если есть какие-то старые покрытия или если древесина обработана неизвестным раствором.

- Переходник соединителя для отвода пыли (рисунок N) крепится защелкой к основанию и позволяет присоединять инструмент к системе вытяжки или бытовому пылесосу для удаления пыли во время работы.

⚠️ ВНИМАНИЕ! Горячие металлические опилки, образующиеся при резке листового металла, могут воспламенить древесную пыль, оставшуюся в мешке или емкости системы вытяжки. По этой причине при резке металлов вытяжку рекомендуется использовать только тогда, когда соответствующие риски устранены.

Замена полотна

1. Переверните инструмент, чтобы получить доступ к полотну лобзика (рисунок D).
2. Вытяните ручку освобождения полотна (11), снимите и замените полотно (рисунок C).
3. Аккуратно дайте ручке освобождения полотна вернуться в нормальное положение.
4. Убедитесь, что полотно установлено правильно и совмещается с направляющей (7).

Примечание. Если полотно не вытаскивается, очень легко постучите по его концу деревянной киянкой или подобным инструментом. Полотно освободится, и его можно будет извлечь.

Установка крышки основания

Лобзик поставляется с крышкой основания (5) общего назначения. Она защищает большинство поверхностей от царапин и других повреждений. Крышки для остальных поверхностей можно приобрести у дилера Triton.

- Чтобы снять крышку основания, отсоедините защелку в задней части основания (4), после чего снимите крышку с передней части (рисунок J).
- Чтобы установить крышку, наденьте ее на переднюю часть основания, а затем защелкните на задней части.

Установка переходника для направляющей

Переходник для направляющей позволяет использовать систему направляющих Triton и быстро и точно выполнять короткие/глубкие разрезы и вырезы с прямыми углами.

1. Переходник крепится зажимом на основание (4) без крышки (5).
2. Введите переходник в защелпление с передней частью основания, а потом защелкните на задней части.
3. Переходник для направляющей устанавливается на направляющую Triton как показано на рисунке Р. Он позволяет легко и точно выполнять прямые разрезы.

Установка параллельной направляющей

Параллельная направляющая, опирающаяся на кромку заготовки или другую параллельную разрезу поверхность, позволяет выполнять прямые параллельные разрезы заготовки.

1. Вставьте 2 ручки крепления параллельной направляющей в резьбовые отверстия для ручек (9), но не затягивайте их.
2. Вставьте параллельную направляющую в паз для параллельной направляющей (8) с нужной стороны. Проследите за тем, чтобы торцевая пластина направляющей была направлена вниз (рисунок О).
3. Задайте нужную длину, пользуясь шкалой на направляющей или каким-либо измерительным устройством.
4. Зафиксируйте направляющую, затянув ручки.

Эксплуатация

⚠ ВНИМАНИЕ! При работе с этим инструментом ВСЕГДА пользуйтесь подходящими средствами защиты органов зрения, дыхания и слуха. Пользуйтесь подходящими перчатками.

Регулировка скорости резки

Скорость инструмента можно задавать до начала работы или во время работы с помощью кольца регулировки скорости (14) в задней части инструмента. Предварительная настройка скорости позволит оператору безопасно сконцентрироваться на управлении инструментом, которое осуществляется двумя большими ручками: вспомогательной (1) и основной (2). Скорость полотна можно регулировать в зависимости от обрабатываемого материала. Это позволяет оптимизировать резку и уменьшить износ полотна.

- Требуемая скорость полотна задается кольцом регулировки (14).

Включение и выключение

1. Подключите инструмент к розетке.
2. Включите инструмент. Для этого переведите выключатель (3) вперед и нажмите на переднюю часть, чтобы зафиксировать его (рисунки А и В).
3. Нажатие на заднюю часть выключателя приведет к тому, что подпружиненный выключатель немедленно вернется в положение останки.

Обработка

1. **ВНИМАНИЕ!** Убедитесь, что защитное окно ручки освобождения полотна (11) и ограждение полотна (10) находятся в хорошем состоянии и расположены так, чтобы пальцы не могли коснуться зубьев полотна во время работы.
1. Поставьте переднюю часть основания (4) на край заготовки (рисунок М) и запустите инструмент.
2. Дайте полотну полностью разогнаться, и только потом начинайте врезку в заготовку.
3. Медленно ведите лобзик вперед обеими руками, не допуская подъема основания с заготовки.
4. Не старайтесь форсировать обработку: пусть инструмент и полотно делают свою работу. Прикладывая минимально необходимое для резки давление.

Вырезание карманов и резка по окружности

- Если необходимо начать резку не с края заготовки, просверлите отверстие диаметром 12 мм с той стороны материала, которая после резки пойдет в отход. Отверстие необходимо для того, чтобы обеспечивался зазор для полотна (рисунок L).
- Вырезание кривых с резкими изгибами осуществляют со сниженной скорости (рисунок К).

ВНИМАНИЕ! Не перемещайте инструмент вперед по траектории до тех пор, пока полотно не войдет в материал полностью, а подошва не ляжет на заготовку.

Использование параллельной направляющей

- Параллельная направляющая служит для ведения лобзика по прямой. Для этого можно применять кромку заготовки или прямой кусок древесины, прижатый к заготовке.
- Она особенно полезна тогда, когда необходимо вырезать несколько ровных полос из одного куска материала, соблюдая точность взаимного положения кромок.

Обработка металла

- При резке металла необходимо использовать подходящую смазочно-охлаждающую жидкость.
- Регулярно наносите СОЖ на полотно или заготовку во время резки. Это позволит снизить интенсивность износа полотна.

Оснастка

- Местный дилер Triton поставяет оснастку для лобзика, включая полотна для различных материалов и форм разрезов. Запчасти можно заказывать на сайте www.toolsparsonline.com.

Техническое обслуживание

⚠ ВНИМАНИЕ! Осмотр, обслуживание или очистку разрешается начинать ТОЛЬКО после того, как инструмент будет отключен от источника питания.

Общий осмотр

- Регулярно проверяйте затяжку всех крепежных винтов.
- Перед каждым использованием инструмента осматривайте шнур питания на предмет повреждений или износа. Ремонтные операции должны проводиться только официальным сервисным центром. Эта рекомендация распространяется и на шнуры-удлинители, используемые с инструментом.

Очистка

ВНИМАНИЕ! При очистке этого инструмента ВСЕГДА пользуйтесь средствами защиты, включая средства защиты глаз и перчатки.

- Всегда держите инструмент в чистоте. Пыль и грязь ускоряют износ внутренних деталей и сокращают срок службы устройства.
- Для чистки корпуса используйте мягкую щетку или сухую тряпку.
- Запрещается использовать щелочные вещества для очистки пластиковых деталей. Если сухая чистка не дает желаемого результата, рекомендуется протереть инструмент влажной тряпкой с мягким моющим средством.
- Не допускайте контакта инструмента с водой.
- Тщательно высушите инструмент перед использованием.
- По возможности рекомендуется продувать вентиляционные отверстия сухим и чистым сжатым воздухом (при необходимости).

Смазка

- Регулярно смазывайте все движущиеся детали подходящей распыляемой смазкой.

Щетки

- Со временем угольные щетки внутри электродвигателя изнашиваются. Если щетки изношены слишком сильно, то возможна потеря мощности, прерывистая работа электродвигателя или видимое искрение.
- 1. Для замены графитовых щеток выкрутите винт крышки щеток (15) и аккуратно снимите крышку в задней части инструмента.
- 2. Открутите небольшой винт (рисунок G) и поднимите узел, удерживающий графитовую щетку, примерно на 12 мм (1/2"), затем аккуратно отсоедините электрический соединитель (показан стрелкой на рисунке H).
- 3. Вытаскивая изношенную щетку, проденьте соединитель с оголенным многожильным медным проводником через крепежную конструкцию.
- 4. Проденьте соединитель и проводник новой щетки через крепежную конструкцию, а затем зафиксируйте новую щетку на крепежной конструкции.
- 5. Присоедините электрический соединитель (рисунок H).

6. Аккуратно вставьте крепежную конструкцию обратно в гнездо и закрепите ее винтом.
 7. Визуально проверьте правильность установки крепежной конструкции.
 8. Повторите шаги 2-7 для второй графитовой щетки.
 9. Установите на место крышку (5) и винт крышки. Проследите за тем, чтобы не защемило кабель питания, и чтобы кольцо регулировки скорости стояло правильно.
 10. Снимите полотно и подключите инструмент к сети питания.
 11. Запустите инструмент на небольшой скорости и, увеличивая скорость, убедитесь, что он работает нормально.
- В противном случае сдайте инструмент на обслуживание в сервисный центр Triton.

ВАЖНО! Всегда меняйте графитовые щетки парами.

Хранение

- Инструмент должен храниться в надежном, сухом и недоступном для детей месте.

Утилизация

Утилизация неработающего и не подлежащего ремонту электроинструмента должна выполняться в строгом соответствии с государственными нормативами.

- Запрещается утилизировать электроинструмент или иной лом электрического и электронного оборудования с бытовым мусором.
- Обратитесь в местное управление по утилизации отходов за информацией о правильных методах утилизации электроинструмента.

Декларация соответствия CE

Нижеподписавшийся: Господин Дэррел Моррис
(Darrell Morris)

уполномоченный компанией: Triton Tools

Заявляет, что

Настоящая декларация была выпущена под единоличную ответственность производителя.

Объект настоящей декларации отвечает требованиям соответствующих норм унификации Евросоюза.

Идентификационный код: XXXX

Описание: XXXX

Соответствует следующим директивам и стандартам:


- Директива по машинам 2006/42/EC
- Директива по низковольтному оборудованию 2014/35/EC
- Директива по электромагнитной совместимости 2014/30/EC
- Директива об ограничении использования вредных веществ 2011/65/EU
- EN 60745-1
- EN 60745-2-4
- EN 55014-1
- EN 55014-2
- EN 61000-3-2
- EN 61000-3-3
- EN 62321

Уполномоченный орган: TÜV Rheinland Co., Ltd.

Владелец технической документации: Triton Tools

Дата: XX/XX/XXXX

Подпись:



Господин Дэррел Моррис (Darrell Morris)

Директор

Название и адрес производителя:

Powerbox International Limited, Company No. 06897059. Юридический

адрес: Powerbox Int. Ltd. Somerset, BA22 8HZ, United Kingdom

(Великобритания).

RU

Az eredeti utasítások fordítása

Bevezetés

Köszönjük, hogy megvásárolta ezt a Triton szerszámot! A jelen útmutató a termék biztonságos és hatékony üzemeltetéséhez szükséges információkat tartalmazza. Ez a termék egyedi tulajdonságokkal rendelkezik, és még ha Ön ismeri is a hasonló termékeket, mindenképpen alaposan olvassa el ezt az útmutatót, hogy megértse a benne levő utasításokat. Ügyeljen arra, hogy a szerszámot használó minden személy elolvassa és teljesen megértse ezeket az utasításokat.

A szimbólumok leírása

A készülék adattábláján jelölések találhatók. Ezek fontos információkat tartalmaznak a termékről vagy annak használatáról.



Viseljen fülvédőt.
Viseljen védőszemüveget.
Viseljen védőmaszkot.
Viseljen fejdédőt.



Viseljen védőkesztyűt.



Olvassa el a kezelési útmutatót.



Vigyázat!



Mérgező gőzök vagy gázok!



Ne használja esőben vagy nedves környezetben!



Mindig válassza le a gépet a hálózati feszültségről, ha nem használja, vagy mielőtt bármilyen beállítási, tartozékcserélési, karbantartási vagy tisztítási műveletet végez.



FIGYELEM: A mozgó alkatrészek zúzódasos és vágott sérüléseket okozhatnak.



II. érintésvédelmi osztály (kettős szigetelés a nagyobb védetség érdekében)



Környezetvédelem
A leselejtezett elektromos termékeket nem szabad a háztartási hulladékba dobni. Kérjük, vigye el a megfelelő újrafelhasználási helyre, ha létezik ilyen. Keresse meg a helyileg illetékes hatóságokat vagy a forgalmazót az újrafelhasználásra vonatkozó tanácsokért.



A készülék megfelel a vonatkozó jogszabályoknak és biztonsági szabványoknak.

Műszaki rövidítések

V	Volt	Ø	Átmérő
~, AC	Váltakozó feszültség	Hz	Hertz
A, mA	Amper, milli-Amp	==, DC	Egyenfeszültség
n0	Üresjáratú fordulatszám:	W, kW	Watt, kilowatt
n	Névleges sebesség	/perc v. min ⁻¹	A-súlyozott zajszint decibelben
opm	Keringés vagy rezgés percenkénti száma	f/perc	Percenkénti fordulatok száma
spm	Löketszám percenként	dB(A)	A-súlyozott zajszint decibelben
°	Fok	m/s ²	Méter per szekundumnégyzet (rezgés nagysága)

Műszaki adatok

Feszültség:	230 V~, 50 Hz
Teljesítmény:	750 W
Üresjáratú fordulatszám:	800 – 3000 1/perc
Löklet:	26 mm
Fűrészlapprógzítás:	Bajonett, T-szár
Mellékelt fűrészlapok:	Fafűrész lap: alacsony profilú, ivelt vágások fába (természetes és kompozit faanyagok) Fafűrész lap: Gyors, egyenes vágások fában (természetes és kompozit faanyagok) és műanyagban Fémfűrész lap: vasfémek és színesfémek vágására
Lengő üzemmód:	3 fokozat
Vágási szögtartomány:	0°, 15°, 30° és 45° (balra és jobbra)
Vágásmélység:	
Fa:	110 mm
Alumínium:	25 mm
Acél:	10 mm
Méreték (M x Sz x H):	340 x 85 x 215 mm
Tömeg:	3,5 kg
A folyamatos termékfejlesztés részeként a Triton termékek műszaki adatai értesítés nélkül megváltozhatnak.	
Zajra és rezgésre vonatkozó adatok:	
Hangnyomás szintje, L _{PA} :	80,9 dB(A)
Hangteljesítmény, L _{WA} :	91,9 dB(A)
Tűrész, K:	3 dB
Jellemző súlyozott vibráció:	
Fa vágása:	13,2 m/s ²
Fémlemez vágása:	13,8 m/s ²
Tűrész:	1,5 m/s ²
A kezelő számára a zajszint meghaladhatja a 85 dB(A) értéket, és szükséges lehet a hallásvédő eszközök alkalmazása.	

- 18 éven aluli személyeknek ne engedélyezze a dekopírfűrészes használatát.
- Biztosítson megfelelő világítást.
- Rongyokat, ruhákat, kábeleket, köteleket vagy hasonlókat ne hagyjon a munkaterületen.
- Akadályozza meg a szerszámgép véletlenszerű kikapcsolását.
- A munka megkezdése előtt ellenőrizze a munkadarabot, és távolítsa el belőle a beágyazódott idegen tárgyakat.
- A vibráció elkerülésére támassza meg vagy pillanatsszorítóval rögzítse a munkadarabot a jó minőségű vágás biztosítására.
- Lásd a jelen használati utasítás „Műszaki adatok” című szakaszát a megfelelő típusú fűrészlappal kapcsolatban. A nem megfelelő fűrészlapok nem rögzíthetők szilárdan, és veszélyt jelentenek.
- Kizárólag megfelelő állapotban lévő fűrészlapokat használjon.
- Amennyiben a fűrészt működtetése közben Önt megszakítják, fejezze be a folyamatot, és kapcsolja ki a szerszámot, mielőtt felnézne.
- Ne nyúljon kézzel a munkadarab alá.
- Ügyeljen arra, hogy a vágandó anyag fajtájának megfelelő fűrészlapot használjon, valamint arra, hogy a támasztékok és az elektromos kábelek ne keresszék a vágás útját.
- Ügyeljen arra, hogy a védőelemek a helyükön legyenek.
- Ne fejtessen ki nyomást a szerszámmal. Hagyja, hogy a fűrészlap a saját tempójában végezze a vágást. Ez jobb eredményt nyújt, és meghosszabbítja a szerszám élettartamát.
- A vágás előtt ellenőrizze, hogy a munkadarab alatt elegendő szabad terület maradjon a fűrészlap számára.
- A gép talpát mindig nyomja hozzá a munkadarabhoz.
- Ne vágjon a jelen útmutató Műszaki adatok című részében ismertetettől nagyobb vastagságú anyagot.
- Vágás közben ne fejtessen ki hajlító vagy csavaró erőt a fűrészlapra.
- Amennyiben egy vágás nem nyúlik el a munkadarab széléig, várja meg, hogy a fűrészlap teljesen leálljon, majd emelje ki a munkadarabot.
- Ne próbálja kézzel eltávolítani a fűrészlap közeléből a fűrészporthoz tartó forgácsot vagy a hulladékanyagot.
- Soha ne nyúljon túl a fűrészlapon, hogy eltávolítsa a levágtott hulladékanyagot.
- Használat közben a fűrészlapok felmelegsznek. Mielőtt megfogná, várja meg, amíg lehűl.
- Amennyiben a fűrészlap megragad, a kiszabadítása előtt kapcsolja ki és válassza le a tápfeszültségről a szerszámgépet.
- Rendszeresen ellenőrizze, hogy az összes anya, csavar és rögzítőelem megfelelően meghúzott-e, és szükség esetén szorítsa meg.

A vágószerszámra vonatkozó munkavédelmi tudnivalók

FIGYELMEZTETÉS: Mielőtt a szerszámgépet tápfeszültséghez csatlakoztatja (főkapcsoló hálózati aljzata, fali aljzat stb.), győződjön meg arról, hogy a tápfeszültség értéke megegyezik-e a szerszámgép adattábláján megadott értékkel. A kezelő súlyos sérülését, illetve a szerszám károsodását okozhatja, ha azt az előírtal magasabb feszültséggel működteti. Késéges esetben ne csatlakoztassa a gépet a hálózathoz. Ha a szükségesnél alacsonyabb értékű tápfeszültséget használ, az árthat a motornak.

Megfelelő vágószerszámot használjon

- Bizonyosodjon meg arról, hogy a vágószerszám alkalmas-e az adott feladatra. A szerszám ismertetőjének elolvasása nélkül ne feltételezze, hogy a szerszám alkalmas egy adott feladatra.

Óvja a látását

- Vágószerszámok használatakor mindig viseljen megfelelő védőszemüveget.
- A hétköznapi szemüvegetek nem tervezték a szerszámok használatához szükséges védelem céljára; a hagyományos lencsék nem ütésállóak és eltörhetnek.

Viseljen hallásvédő eszközt

- Mindig viseljen megfelelő hallásvédő eszközt, ha a szerszám zaja meghaladja a 85 dB értéket.

Viseljen légzésvédő eszközt

- Ügyeljen arra, hogy Ön és a környezetében tartózkodó személyek megfelelő porvédő maszkot viseljenek.

Óvja kezeit

- Ne közelítse kezét a fűrészlaphoz vagy vágóelemhez. Használjon megfelelő nyomórudat a rövidebb munkadarabok elektromos kéziszerszámmal történő megmunkálásakor.

Ügyeljen a környezetében lévő személyekre

- A szerszám használójára hárul annak biztosítása, hogy a munkaterületen lévő többi személyt megóvja a zajtól és portól, és ellássa őket megfelelő védőfelszereléssel.

Rejtett tárgyak

- A vágás megkezdése előtt ellenőrizze a munkadarabot, és távolítsa el belőle az összes szegyet, valamint a hasonlóan beágyazódott idegen tárgyakat.
- Ne próbáljon meg beágyazódott tárgyakat tartalmazó anyagot vágni, hacsak nem biztos abban, hogy a szerszámmal szerelt vágóél alkalmas ezek vágására is.
- Az épületek falaiban víz- vagy csővezetékek lehetnek, a gépjárművek karosszeriája üzemanyag-vezetéseket rejt, a magas fű pedig eltakarhatja a követek és üvegcserepeket. A művelet végrehajtása előtt mindig alaposan ellenőrizze a munkaterületet.

Ügyeljen a gép által kiröpített anyagdarabokra.

- Bizonyos esetekben a hulladék nagy sebességgel repülhet ki a gépből. Önre hárul annak biztosítása, hogy a munkaterületen lévő többi személyt megóvja az esetleg kirepülő hulladéktól.

Vágószerszámok felszerelése

- Ügyeljen arra, hogy a vágószerszámok megfelelően, stabilan legyenek a szerszámgépre rögzítve, és használat előtt ellenőrizze, hogy a villás-/állítókülsőket eltávolította-e a gépről.
- Kizárólag a szerszámgéphez javasolt vágószerszámot használjon.
- Ne próbálja meg módosítani a vágószerszámot.
- Ellenőrizze, hogy a vágófejek/kések élesek, jó állapotúak és megfelelően rögzítettek-e.
- Ne kísérlel meg az olyan vágófejek/kések élezését, melyek nem alkalmasak újraélezésre; ezek olyan speciálisan edzett vagy ötvöztött acélből készült edzett vágóélel rendelkeznek, mely jellemzően volfrámmat tartalmaz.
- Az újraélezhető vágófejek/kések élezését csak a gyártó rendelkezései szerint szabad végezni. Ezek a vágófejek/kések bizonyos számú alkalommal újraélezhetők.
- A megélezett vágófejeket/késeket használat előtt alaposabban kell ellenőrizni, és azonnal ki kell cserélni, ha az állapottal és használati való alkalmasságukkal kapcsolatban kétség merül fel.
- Ha a fűrészlap/kés olyan beágyazódott tárgya ütőközik, melynek megmunkálására nem alkalmas, a fűrészlapot/kést haladéktalanul ki kell cserélni.

A munkadarab adagolásának/előtőlásának iránya

- A munkadarabot mindig a vágóél vagy vágószerszám mozgásával ellentétes irányban adagolja.

Ne feledkezzen meg a felhevülésről

- Munka közben a vágószerszámok és a munkadarab feltorrosodhat. Ne próbáljon meg a gépen szerszámot cserélni, míg az le nem hűlt teljesen.

A por és a forgács mennyiségének korlátozása

- Ügyeljen arra, hogy ne halmozódjon fel a por és a forgács. A vágásokor keletkező por tűzveszélyes, valamint egyes fémforgácsok robbanásveszélyesek.
- Fokozott körültekintéssel járjon el fa és fém vágásokor. A fémmegmunkálás szikrái könnyen meggyújthatják a fapot.
- Amikor lehetséges, használjon porelvezítő rendszert a biztonságosabb munkakörnyezet megteremtéséhez.

A termék ismertetése

1. Segédmarkolat
2. Fő markolat
3. Be/Ki kapcsoló
4. Talp
5. Csúszósaru
6. Üzemmódválasztó kapcsoló
7. Fűrészlappvezető
8. Párhuzamvezető csatlakozónnyílása
9. Párhuzamvezető rögzítógombjának menete
10. Fűrészlappvédő rúdja
11. Fűrészlappvédő kioldógombja
12. Fűrészlapprögzítő
13. Motor szellőzőnyílásai
14. Fordulatszám-szabályozó görgetőkerék
15. Szénketartó csavarja
16. Talp szűrőrózgitője

Tartozékok (nem listázott):

- TJSBW10 Fafűrész lap – ivelt vágások
- TJSBW06 Fa- és műanyagvágó fűrészlap
- TJSBM21 Fémfűrész lap
- Porelvezető adapter
- Párhuzamvezető
- Párhuzamvezető gombjai (2 db)
- Vezetősín-adapter
- Puha hordtáska

Rendeltéteszzerű használat

Legnépszerűbb dekopírfűrész közepes terhelést jelentő, precíz, egyes és ivelt vágásokhoz fában, műanyagban és vékony fémlemezben (a megfelelő fűrészlap használatával). Továbbá csatlakoztatható a Triton vezetősín-rendszerhez rövid belső/zsebvágások és egyes élő kivágások elkészítéséhez. <Pretty much confirmed with have the track adaptor>

A szerszám kicsomagolása

- Óvatosan csomagolja ki és ellenőrizze a szerszámot. Ismerkedjen meg az összes kezelésszervvel és funkcióval.
- Ellenőrizze, hogy a szerszám minden alkatrésze a helyén van és jó állapotú-e. Ha bármelyik alkatrész hiányzik vagy sérült, cseréltesse ki, mielőtt használni kezdi a szerszámot.

Használat előtt

FIGYELEM: Bármely tartozék felszerelése vagy cseréje, valamint beállítások elvégzése előtt mindig húzza ki a szerszám dugvilláját a hálózati aljzatból.

Fűrészlapvezető

- A fűrészlapvezető (7) rugóterhelésű. Az üzemmódválasztó (6) helyzetétől függően a fűrészlapvezető áll (nem végez ingamozgást), vagy hátra és előre mozog, így a fűrészlap a vágást lengő üzemmódban végzi.

Legnés (előtolás) beállítása

A fűrészlap lengése (előtolása) hatékonyabb vágást tesz lehetővé azzal, hogy enyhén ivelt lengémozgást végez. Ez az üzemmód kiváló vágást eredményez vastagabb munkadarabokban, továbbá kisebb igénybevételnek teszi ki a motor és a fűrészlapot használat közben azáltal, hogy kismértékű távolságot hagy a fűrészlap és a munkadarab között a vágás egyes szakaszaiban.

Az üzemmódválasztó kapcsoló (6) 4 helyzetbe állítható:

- A „0” helyzet a normál vágást jelenti lengő mozgás nélkül
- A „1, 2 és 3” helyzet lengés mellett végzett vágást jelent. Ez azt eredményezi, hogy a fűrészlap enyhén hátra- és előrehajlik vágáskor, így növelve a hatékonyságot.
- Az „1” helyzet minimális lengést, míg a „3” helyzet maximális lengést eredményez.
- Egy hulladék munkadarabon kísérletezzen, hogy meghatározza a munkadarabhoz ideális lengés mértékét.

FONTOS: A dekopírfűrész működése közben ne állítsa a lengést.

A talp beállítása ferdevágáshoz

A talp (4) 3 db rovatkával ellátott szöghezlyettel (15°, 30° és 45°) rendelkezik balra és jobbra egyaránt („E” kép):

1. Fordítsa a dekopírfűrész fejjel lefelé, majd oldja ki a talp szögrogózítóját (16) a kar kinúzásával („D” kép).
2. Állítsa a talpat a megfelelő helyzetbe („F” kép).
3. Állítsa vissza a talp szögrogózítóját.

Megjegyzés: A pontos munkavégzés érdekében végezzen próbavágást egy darab hulladék anyagon; ellenőrizze a vágást, majd szükség szerint helyesbítse a beállítást a megfelelő eredmény eléréséig.

Megjegyzés: Amennyiben a talpat nem rovatkával ellátott szögbe szeretné állítani, az adott szög megtartása kizárólag a súrlódáson/feszültségen múlik, és fennáll a talp elmozdulásának veszélye működés közben. Szükség lehet a talprögzőt csavar („I” kép) körültekintő beállítására.

Porelvezető adapter

Javasoljuk, hogy a gépet a tisztább és biztonságosabb munkavégzéshez csatlakoztassa egy porelvezető rendszerhez. Ez különösen akkor fontos, ha a munkadarab mérgező tulajdonságai nem ismertek, például régebbi, többek között festék tartalmú felületi bevonatok vagy ismeretlen fazelelő oldatok esetén.

- A porelvezető adapter („N” kép) a talp hátulján csatlakoztatható, és segítségével egy porelvezető rendszer vagy háztartási porszívó csatlakoztatható a szerszámmal.

FIGYELEM: A fémlempák vágásakor keletkező forró fémrészcékkék meggyújthatják a porelvezető rendszer porzsákjába vagy tartályába korábban összegyűjtött port. Ilyen körülmények között a fém vágásakor keletkező por elszívása nem javasolt, hacsak nem szüntetik meg az összes lehetséges kockázatot.

Fűrészlap cseréje

1. Fordítsa a gépet fejjel lefele úgy, hogy a fűrészlap hozzáférhető legyen.
2. Húzza ki a fűrészlapvédő kioldógombját (11), majd cserélje a fűrészlapot („C” kép).
3. Hagyja, hogy a fűrészlapvédő kioldógombja visszatérjen a szokásos helyzetébe.
4. Ellenőrizze, hogy a fűrészlap beszerelése megfelelő-e, és egy vonalban áll-e a fűrészlapvédővel (7).

Megjegyzés: Amennyiben a fűrészlapot nehéz kioldani, gyengéden ütögesse meg annak végét egy fakalapáccsal vagy hasonló eszközzel. Ezáltal a fűrészlap kiszabadul és eltávolítható.

Csúszósaru felszerelése

A dekopírfűrész egy általános célú csúszósaruvál (5) rendelkezik, mely a legtöbb felületet megvágja a karcolódástól és sérüléstől. Forduljon a Triton forgalmazóhoz egyéb felületekhez való csúszósarukért.

- Eltávolításhoz válassza le a csúszósarut a talp hátuljánál (4), majd a talp elejénél („J” kép).
- Felszereléshez illessze fel a csúszósarut a talp elejéhez, majd a talp hátuljához.

A vezetősín-adapter felszerelése

A vezetősín-adapter egyszerű és pontos párhuzamvezetést biztosít a Triton vezetősín-rendszer használatával rövid belső/zsebvágások és egyes élő kivágások elkészítéséhez.

1. A vezetősín-adapter a csupasz talpra (4) rögzíthető a csúszósaru (5) felszerelése nélkül.
2. A csupasz talp elejét illessze a vezetősín-adapterhez, majd a végét rögzítse a talp hátuljához.
3. A vezetősín-adapter a Triton vezetősínhez az ábra szerint csatlakozik („P” kép), hogy pontos és egyszerű egyenes vágást biztosítson.

Párhuzamvezető felszerelése

A párhuzamvezető a munkadarab szélét vagy egyéb párhuzamos élt vesz alapul, hogy a munkadarabon egyenes, párhuzamos vágást lehessen végezni.

1. A párhuzamvezető két gombját illessze a párhuzamvezető rögzítógombjának meneteibe (9), de ne szorítsa meg azokat.
2. Illessze a párhuzamvezetőt a vágáshoz megfelelő oldalon a párhuzamvezető csatlakozónylásába (8), ügyelve arra, hogy a párhuzamvezető élkövető hromlappja lefelé nézzen („O” kép).
3. Állítsa be a megfelelő hosszúságra a párhuzamvezetőt található beosztás vagy egyéb mérőszköz segítségével.
4. Szorítsa meg a párhuzamvezető rögzítógombjait, hogy a párhuzamvezető készen álljon a használatra.

Használat

FIGYELEM: MINDIG viseljen védőszemüveget, megfelelő pormaszkot, fűvédőt és munkavédelmi kesztyűt, amikor a géppel dolgozik.

A vágási sebesség beállítása

A szerszám sebessége használat előtt és közben egyaránt módosítható a szerszám hátuljánál található fordulatszám-szabályzó görgetőkerék (14) segítségével. A sebesség előzetes beállítása lehetővé teszi a kezelő számára, hogy a szerszám irányítására koncentrálnon a két biztonságos, nagyméretű markolat (segédmarkolat (1) és főmarkolat (2)) használatával. A fűrészlap sebességét a vágandó munkadarab anyagához lehet beállítani. Ez javítja a vágás hatásfokát, és megvágja a fűrészlapot a szükségtelen, idő előtti elkopástól.

- A fűrészlap sebességének beállításához használja a fordulatszám-szabályzó görgetőkeréket (14).

Be- és kikapcsolás

1. Csatlakoztassa a szerszámgépet a hálózati aljzathoz.
2. A Be/Ki kapcsoló (3) előretolásával kapcsolja be a szerszámot, majd nyomja le az elejét, hogy ebben a helyzetben rögzítse („A” és „B” képek).
3. Nyomja le a Be/Ki kapcsoló hátulját, ami azt eredményezi, hogy a rugóterhelésű kapcsoló azonnal a Stop helyzetbe ugrik.

Vágás elvégzése

1. FIGYELEM: Ellenőrizze, hogy a fűrészlapvédő kioldógombja (11), a fűrészlapvédő és a fűrészlapvédő rúdja (10) jó állapotú-e, és helyesen áll-e, és így megakadályozza, hogy az ujjak hozzá érjenek a fűrészlap fogaihoz használat közben.
1. Helyezze a talp elejét (4) a munkadarab szélére („M” kép), majd kezdje meg a vágást.
2. Mielőtt a fűrészlapot a munkadarabhoz nyomja, várja meg, hogy a fűrészlap elérje a maximális sebességet.
3. A dekopírfűrész két kézzel fogva lassan haladjon előre, és közben nyomja a fűrész talpat a munkadarabhoz.

4. Ne erőltesse a fűrészt: adjon időt a fűrészlapnak és a fűrésznek a művelet elvégzésére. Csak annyi nyomást fejtsen ki, amennyi a vágáshoz szükséges.

Zseb- és körvágás

- Belső vágások megkezdésekor készítsen egy 12 mm átmérőjű furatot a vágás hulladék oldalán annak biztosítására, hogy elegendő hely legyen a fűrészlap számára („L” kép).
- Szűk ívek vágásakor csökkentse a fűrészlap sebességét („K” kép).

FIGYELEM: Ne mozgassa a fűrészt a vágásban mindaddig, míg a fűrészlap teljesen be nem merül a munkadarabba, és csúszósaru fel nem fekszik a munkadarab felületén.

A párhuzamvezető használata

- A párhuzamvezetővel a dekopírfűrészt lehet végigvezetni egy egyenes vonalon, mely lehet a munkadarab széle vagy a munkadarabhoz rögzített egyenes deszka.
- A vezetőléc különösen hasznos az egységesség biztosításában, amikor egyetlen anyagból több csík kivágását végzik.

Fém vágása

- Fémek vágásakor megfelelő hűtő/vágóolajat kell használni.
- A kenőanyagot rendszeres időközönként juttassa a fűrészlapra vagy a munkadarabra a vágás során, hogy csökkentse a fűrészlap kopását.

Tartozékok

- A Triton forgalmazóknál a dekopírfűrészhöz való tartozékok, többek között különböző anyagokhoz és vágási módokhoz használható fűrészlapok kaphatók. A pótalkatrészek a www.toolsparesonline.com weboldaltól szerezhetők be.

Karbantartás

▲ FIGYELEM: MINDIG válassza le a gépet a hálózati feszültségről, mielőtt bármilyen ellenőrzési, karbantartási vagy tisztítási műveletet végez.

Általános átvizsgálás

- Rendszeresen ellenőrizze, hogy minden rögzítőcsavar kellően meg van-e húzva.
- Minden egyes használat előtt ellenőrizze, hogy a hálózati kábel nem sérült vagy kopott-e. A javítást egy hivatalos szervizben kell elvégeztetni. Ez a tanács a szerszámmal használt hosszabbító kábelekre is érvényes.

Tisztítás

FIGYELEM: MINDIG viseljen megfelelő személyi védőfelszerelést, többek között védőszemüveget és kesztyűt a szerszám tisztítása közben.

- Tartsa a szerszámgépet mindig tisztán. Szennyeződés és por hatására a belső alkatrészek kopása gyorsabb lesz, és lerövidül a szerszám élettartama.
- Tisztítsa meg a gép testét egy puha kefével vagy száraz ronggyal.
- A műanyag részek tisztításához soha ne használjon maró anyagot. Amennyiben a száraz tisztítás nem elegendő, enyhén mosogatószeres rongy használata javasolt.
- A szerszám soha nem érintkezhet vízzel.
- A szerszámot használat előtt alaposan szárítsa meg.
- Ha lehetséges, használjon tiszta, száraz, sűrített levegőt a szellőzőnyílások átfúvatásához (ahol szükséges).

Kenés

- Megfelelő kenő aeroszollal rendszeres időközönként finoman kenje meg az összes mozgó alkatrészt.

Szénkefék

- Idővel a motorban levő szénkefék elkophatnak.
 - A túlzottan kopott szénkefék teljesítménycsökkenést, szakaszos működést vagy látható szikrázást okozhatnak.
1. A szénkefék cseréjéhez távolítsa el a szénkefetartó csavarját (15), majd óvatosan húzza le a burkolatot a szerszám hátuljáról.
 2. Távolítsa el a kis csavart („G” kép), majd emelje meg a szénkefetartót körülbelül 12 mm-rel, végül óvatosan vegye ki az elektromos csatlakozót (a „H” képen nyíllal jelölve).
 3. A csupasz, többeres rézvezetékekkel rendelkező csatlakozótolja keresztül a tartón, amikor eltávolítja a régi, kopott szénkefét.
 4. Mielőtt az új szénkefét behelyezi a tartóba, vezesse át az új szénkefe csatlakozóját és vezetékeit a tartón.
 5. Csatlakoztassa az elektromos sarut („H” kép).
 6. Óvatosan illessze vissza a tartót a horonyba, majd rögzítse a csavarral.
 7. Szemrevételezéssel ellenőrizze, hogy a tartó megfelelően van-e felszerelve.
 8. Ismételd meg a fenti 2-7. lépéseket a másik szénkefénel.
 9. Szerelje vissza a csúszósarut (5) és a szénkefetartó csavarját, mely azt biztosítja, hogy a hálózati kábel ne csipődjön be, és a fordulatszám-szabályzó görgetőkerék (14) egy egyenesbe essen.
 10. Vegye ki a fűrészlapot a szerszámból, majd csatlakoztassa azt a hálózati aljzathoz.
 11. A szerszám megfelelő működésének ellenőrzéséhez kezdetben alacsony sebességgel járassa a szerszámot, majd fokozatosan növelje a sebességet.
- Másik lehetőségként a javítást egy hivatalos Triton szervizben végeztesse el.
- FONTOS:** A szénkefeket mindig párban cserélje.

Tárolás

- Tárolja ezt a szerszámot körültekintően, egy biztonságos, száraz, gyermekek által nem elérhető helyen.

Leselejtezés

A már nem működőképes és javíthatatlan elektromos kéziszerszámok ártalmatlanítása során mindig tartsa be a nemzeti előírásokat.

- Ne dobja ki a leselejtezett elektromos kéziszerszámot vagy egyéb elektromos és elektronikus berendezést (WEEE) a háztartási hulladékkal együtt.
- Forduljon a helyi hulladékkezelési hatóságához, hogy tájékozzódjon a szerszámok ártalmatlanításának megfelelő módjáról.

Jótállás

A jótállás regisztrálásához látogassa meg webhelyünket a www.tritontools.com címen, és adja meg adatait. Adatai bekerülnek a levelezési listánkba (kivéve, ha ezt másképpen adja meg), és tájékoztatjuk a későbbi kiadásokról. A megadott adatokat nem bocsátjuk harmadik fél rendelkezésére.

Vásárlási nyilvántartás

Vásárlás dátuma: ___/___/___

Típus: **XXXX** Őrizzze meg a vásárlást igazoló nyugtát.

EK Megfeleléségi nyilatkozat

Alulírott: Mr Darrell Morris

meghatalmazva az alábbi által: Triton Tools

Kijelentem, hogy az alábbi

Ezt a nyilatkozatot a gyártó kizárólag a saját felelősségére bocsájtotta ki.

A nyilatkozat tárgya megfelel az Európai Unió idevonatkozó harmonizációs törvényeinek.

Azonosító kód: XXXX

Leírás: XXXX

kielégíti az alább felsorolt irányelvek és szabványok előírásait:

- 2006/42/EC gépészeti irányelv
- Alacsony feszültségre vonatkozó 2014/35/EC irányelv
- 2014/30/EC EMC irányelv
- 2011/65/EU RoHS irányelv
- EN 60745-1
- EN 60745-2-4
- EN 55014-1
- EN 55014-2
- EN 61000-3-2
- EN 61000-3-3
- EN 62321

A Triton Precíziós Szerszámgépek garantálják vásárlóinak, hogy bármely alkatrész anyaghibából vagy gyártási hibából, a vásárlás időpontjától számított 3 éven belül bekövetkezett meghibásodása esetén, a Triton ingyenesen megjavítja - vagy alapos megfontolás esetén kicseréli – a hibás alkatrészt.

Ez a garancia nem vonatkozik ipari jellegű használatra, továbbá általános jellegű kopásra, illetve a termék nem rendeltetésszerű használatából eredő meghibásodására.

*Regisztráljon az interneten 30 napon belül.

Feltételek és kikötések vonatkoznak.

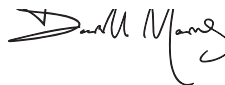
Nincs hatással a törvényben meghatározott jogaira.

Tanúsító testület: TÜV Rheinland Co., Ltd.

A műszaki dokumentációt tárolja: Triton Tools

Dátum: XX/XX/XXXX

Dátum:



Mr Darrell Morris

Igazgató

A gyártó neve és címe:

Powerbox International Limited, Company No. 06897059. Registered

address: Powerbox Int. Ltd. Somerset, BA22 8HZ,

United Kingdom.

Překlad originálního návodu

Úvod

Děkujeme za zakoupení výrobku Triton. Tento návod obsahuje nezbytné informace pro bezpečné používání a správnou funkci tohoto výrobku. Tento výrobek nabízí mnoho jedinečných funkcí. Je možné, že jste již s podobným výrobkem pracovali; přesto si důkladně přečtěte tento návod, abyste rozuměli pokynům. Ujistěte se, že všichni, kdo s výrobkem pracují, tento návod četli a porozuměli mu.

Použité symboly

Typový štítek na vašem nářadí může obsahovat symboly. Ty představují důležité informace o výrobku nebo pokyny k jeho použití.



Používejte chrániče sluchu
Používejte ochranné brýle
Používejte respirátory
Používejte ochrannou přilbu



Používejte ochranné rukavice



Přečtěte si návod



Pozor!



Nebezpečné výpary nebo plyny!



Nepoužívejte při dešti nebo ve vlhkém prostředí!



Nářadí vždy vypojte z elektrické sítě, pokud provádíte úpravy, měníte příslušenství, čistíte, provádíte údržbu a když nářadí nepoužíváte!



VAROVÁNÍ: Pohybující se části mohou způsobit rozdrčení nebo řezné poranění!



Třída ochrany II (dvojitá izolace pro vyšší ochranu)



OCHRANA ŽIVOTNÍHO PROSTŘEDÍ
Nevyhazujte elektronářadí do domovního odpadu. Zařízení odevzdejte k recyklaci. V případě dotazů kontaktujte příslušný úřad nebo prodejce.



V souladu s příslušnou legislativou a bezpečnostními standardy.

Tabulka technických zkratk

V	volty	Hz	hertz
~, AC	střídavý proud	==, DC	stejnoseměrný proud
A, mA	ampér, miliampér	W, kW	watt, kilowatt
n0	otáčky naprázdno	/min or min ⁻¹	operace za minutu
n	jmenovité otáčky	rpm	otáčky za minutu
opm	oběhy nebo oscilace za minutu	dB(A)	hladina akustického tlaku v decibelech (vážená)
spm	zdvihy za minutu	m/s ²	metry za sekundu ² (velikost vibrací)
°	stupně		
Ø	průměr		

Technická data

Napětí:	230 V~, 50 Hz
Výkon:	750 W
Otáčky naprázdno:	800-3000 min ⁻¹
Zdvih:	26 mm
Upnutí pilového listu:	bajonet s T-stopkou
Pilové listy:	Pilový list na dřevo: nízký profil, zakřivené řezy ve dřevě (přírodním i umělém) Pilový list na dřevo: rychlé rovné řezy ve dřevě (přírodním i umělém) a plastu Pilový list na kov: řezy v železných i neželezných materiálech
Kmitání:	3 stupně
Rozsah úhlu řezání:	0°, 15°, 30° & 45° (vlevo i vpravo)
Hloubka řezu v:	
Dřevo:	110 mm
Hliník:	25 mm
Ocel:	10 mm
Rozměry (D x Š x V):	340 x 85 x 215 mm
Hmotnost:	3,5 kg
Vzhledem k nepřetržitému vývoji výrobků Triton se technická data našich výrobků mohou měnit bez ohlášení.	
Údaje o hluku a vibracích:	
Akustický tlak L_{pa}:	80,9 dB(A)
Akustický výkon L_{wa}:	91,9 dB(A)
Tolerance K:	3 dB
Vážené vibrace:	
Řezání dřeva:	13,2 m/s ²
Řezání kovového plechu:	13,8 m/s ²
Tolerance:	1,5 m/s ²
Pokud úroveň hluku dle použití elektronářadí překročí 85 dB(A), je třeba přijmout ochranná hluková opatření.	

VAROVÁNÍ: Pokud hladina hluku přesáhne 85 dB(A), vždy noste chrániče sluchu a omezte dobu práce s elektronáďadí. Pokud se hladina hluku stane nepřijemnou, i s chrániči sluchu, ihned přestaňte nářadí používat. Zkontrolujte, zda máte chrániče sluchu správně připravené, aby mohly poskytovat potřebné snížení hladiny hluku, které elektronáďadí vydává.

VAROVÁNÍ: Vystavení se vibracím elektronáďadí může způsobit ztrátu vnímání dotyku, necitlivost rukou, mravenčení a/nebo omezenou schopnost úchopu. Dlouhodobé vystavení vibracím může obtížně změnit v chronický stav. Pokud je třeba, omezte čas, kdy jste vibracím vystaveni a používejte anti-vibrační rukavice. Elektronáďadí nepoužívejte v prostředí s nižší než pokojovou teplotou, protože vibrace mohou mít větší efekt. Využijte hodnot uvedených v technických datech, abyste určil vhodnou délku práce a frekvenci práce s elektronáďadím.

Úroveň hluku a vibrací byla změněna podle měřících metod normovaných v EN80745, příp. podobných mezinárodních standardů. Naměřené hodnoty odpovídají běžnému užítí elektronáďadí v běžných pracovních podmínkách. Špatně udržované, nesprávně složené nebo špatně používané nářadí může vytvářet vyšší hladiny hluku i vibrací. www.osha.europa.eu nabízí informace o úrovni hluku a vibrací v pracovním prostředí; tyto informace mohou být užitečné pro hobby uživatele, kteří používají přístroje čistěji.

Bezpečnostní opatření

UPOZORNĚNÍ: Přečtete si všechna bezpečnostní varování a instrukce. Neuposlechnutí následujících varování může způsobit úraz elektrickým proudem, požár a/nebo vážné poranění.

UPOZORNĚNÍ: Tento přístroj nesmí být používán osobami (včetně dětí) s tělesným nebo mentálním poškozením. Dále ho nesmí používat osoby s minimem zkušeností nebo znalostí.

Uchovávejte všechna varování a instrukce pro budoucí použití.

Výrazem "elektronáďadí" zmiňovaným v bezpečnostních opatřeních se rozumí zařízení používané v elektrické síti (se síťovým kabelem) anebo zařízení, které využívá bateriový pohon (bez síťového kabelu).

1. Bezpečnost pracovního místa

- Udržujte pracovní místo čisté a dobře osvětlené. Nepořádek nebo neosvětlené pracovní místo může vést k úrazům.
- Nepoužívejte elektronáďadí v prostředí ohroženém explozí, kde se nacházejí hořlavé kapaliny, plyny nebo prach. Elektronáďadí vytváří jiskry, které mohou prach nebo páry zapálit.
- Děti a jiné přihlížející osoby udržujte při použití elektronáďadí daleko od pracovního místa. Při rozptylení můžete ztratit kontrolu nad přístrojem.

2. Bezpečná práce s elektřinou

- Připojování zástrčky elektronáďadí musí odpovídat zásuvce. Zástrčka nesmí být žádným způsobem upravená. Společně s elektronáďadím s ochranným uzemněním nepoužívejte žádné adaptérové zástrčky. Neupravené zástrčky a vhodné zásuvky snižují pravděpodobnost úrazu elektrickým proudem.
- Vyhnete se tělesnému kontaktu s uzemněnými povrchy jako je potrubí, vodní tělesa, sporáky a chladničky. Je-li vaše tělo uzemněno, hrozí zvýšené riziko úrazu elektrickým proudem.
- Chraňte zařízení před deštěm a vlhkem. Vniknutí vody do elektronáďadí zvyšuje nebezpečí úrazu elektrickým proudem.
- Dbejte na účel kabelu, nepoužívejte jej k nošení či zavěšení elektronáďadí nebo k vytáhnutí zástrčky ze zásuvky. Udržujte kabel daleko od tepla, oleje, ostrých hran nebo pohyblivých dílů stroje. Poškozené nebo spálené kabely zvyšují riziko zásahu elektrickým proudem.
- Pokud pracujete s elektronáďadím venku, použijte pouze takové prodlužovací kabely, které jsou způsobilé i pro venkovní použití. Použítí prodlužovacího kabelu, jež je vhodný pro použití venku, snižuje riziko zásahu elektrickým proudem.
- Pokud se nelze vyhnout provozu elektronáďadí ve vlhkém prostředí, použijte proudový chránič. Použití proudového chrániče snižuje riziko zásahu elektrickým proudem.
- Pro použití v Austrálii a na Novém Zélandu doporučujeme, aby byl tento výrobek VZDY dodáván společně s proudovým chráničem se zbytkovým proudem 30mA nebo méně.

3. Osobní bezpečnost

- Buďte pozorní, dávejte pozor na to, co děláte, a přistupujte k práci s elektronáďadím rozumně. Nepoužívejte žádné elektronáďadí, pokud jste unaveni nebo pod vlivem drogy, alkoholu nebo léků. Moment nepozornosti při použití elektronáďadí může vést k vážným poraněním.
- Noste osobní ochranné pomůcky a vždy ochranné brýle. Nošení osobních ochranných pomůcek jako je maska proti prachu, bezpečnostní obuv s protiskluzovou podrážkou, ochranná přilba nebo sluchátka, podle druhu použití elektronáďadí, snižují riziko poranění.
- Zabraňte neúmyslnému uvedení do provozu. Přesvědčte se, že je elektronáďadí vypnuté, dříve, než jej uchopíte, přenesete či připojíte na zdroj proudu a/nebo akumulátor. Máte-li při nošení elektronáďadí prst na spínači, nebo pokud stroj připojíte ke zdroji proudu zapnutý, může dojít k úrazům.
- Než elektronáďadí zapnete, odstraňte seřizovací nástroje nebo šroubováky. Nástroj nebo klíč, který se nachází v otáčivém dílu stroje, může vést k poranění.

- Zajistěte si bezpečný postoj a udržujte vždy rovnováhu. *Tim můžete elektronáďadí v neočekávaných situacích lépe kontrolovat.*
- Noste vhodný oděv. Nenoste žádné volný oděv nebo šperky. Vlasy, oděv a rukavice udržujte daleko od pohybujících se dílů. *Volný oděv, šperky nebo dlouhé vlasy mohou být zachyceny pohybujícími se díly.*
- Lze-li namontovat odsávací či zachycující přípravky, přesvědčte se, že jsou připojeny a správně použity. *Použití odsávací prachu může snížit ohrožení prachem.*
- Svědomitě zacházení a používání elektronáďadí
 - Přístroj nepřetěžujte. *Pro svou práci použijte k tomu určené elektronáďadí. S vhodným elektronáďadím zvolíte práci lépe a bezpečněji.*
 - Nepoužívejte žádné elektronáďadí, jehož spínač nebo přívodní kabel je vadný. *Elektronáďadí, které nelze zapnout či vypnout, je nebezpečné a musí se opravit.*
 - Než provedete seřízení stroje, výměnu dílů příslušenství nebo stroj odložíte, vytáhnete zástrčku ze zásuvky a/nebo odstraňte akumulátor. *Toto preventivní opatření zabrání neúmyslnému zapnutí elektronáďadí.*
 - Uchovávejte nepoužívané elektronáďadí mimo dosah dětí. *Nenechte stroj používat osobám, které se strojem nejsou seznámeny nebo nečelily touto pokynům. Elektronáďadí je nebezpečné, je-li používáno nezkušenými osobami.*
 - Pečujte o elektronáďadí svědomitě. Zkontrolujte, zda pohyblivé díly stroje bezvadně fungují a nevzpříčí se, zda díly nejsou zlomené nebo poškozené tak, že je omezena funkce elektronáďadí. *Poškozené díly nechte před opětovným použitím přístroje opravit. Mnoho úrazů má příčinu ve špatně udržovaném elektronáďadí.*
 - Rezné nástroje udržujte ostré a čisté. *Pečlivě ošetřované řezné nástroje s ostrými řeznými hranami se méně vzpříčí a snadněji se vedou.*
 - Používejte elektronáďadí, příslušenství, nasazovací nástroje apod. podle těchto pokynů. *Respektujte přitom pracovní podmínky a prováděnou činnost. Použití elektronáďadí pro jiné než určené použití může vést k nebezpečným situacím.*

5. Servis

- Nechte vaše elektronáďadí opravit pouze certifikovaným odborným personálem a pouze s originálními náhradními díly. *Tim bude zajištěno, že bezpečnost stroje zůstane zachována.*

Bezpečnostní opatření pro přímočaré pily

VAROVÁNÍ: Před připojením nářadí ke zdroji elektrické energie (síťový spínač, zásuvka atd.) se ujistěte, že napětí je stejné, jako je uvedeno na typovém štítku nářadí. *Větší napětí, než je napětí uvedené na typovém štítku, může způsobit vážné poranění uživatele nářadí a poškodit nářadí. Pokud si nejste jisti, nářadí nezapojujte. Pokud je napětí nižší, než je na typovém štítku uvedeno, můžete poškodit motor nářadí.*

- Nářadí držte pevně za izolované rukojeti a povrchy, pokud provádíte práci, při které by nářadí mohlo přijít do kontaktu s vlastním přívodním kabelem. *Profilování "živého" kabelu může způsobit, že kovové části elektronáďadí se stanou také "živými" a mohou způsobit pracovníkovy úraz elektrickým proudem.*
- Nesahejte pod opracovávány materiál. *Ochranný kryt vás nemůže chránit před pilovým listem zespuodu materiálu.*
- Materiál, se kterým pracujete, nikdy nedrže v ruce nebo ho neopírejte o nohy. *Materiál je třeba nálezitě upnout, abyste minimalizovali zranění nebo možnost ztráty kontroly.*

Informace o tom, jaké osobní ochranné pomůcky/vybavení a jaká bezpečnostní rizika jsou spojená s používáním elektronáďadí, najdete v části Bezpečnostní opatření v tomto návodu.

- Nedovolte nikomu, kdo je mladší 18 let, aby pracoval s tímto elektronáďadím
- Ujistěte se, že máte dostatečné světlo na práci
- V okolí pracovní plochy by se neměly nacházet hadry, kabely a dráty
- Udržujte prostor v takovém stavu, aby nedošlo k zakopnutí
- Před započnutím práce si materiál vždy zkontrolujte a odstraňte všechny zapuštěné předměty
- Materiál podeprete nebo upněte svérkami, abyste předešli vibracím a zajistili dobrou kvalitu řezu
- V části Technické údaje najdete informaci o vhodném pilovém listu. Nesprávný typ pilového listu může být nevhodně uchycen, což představuje bezpečnostní riziko
- Používejte pouze pilové listy, které jsou v dobrém stavu
- Pokud jste během práce s pilou přerušeni, dokončete řez, pilu vypněte a teprve pak vzhledněte
- Držte ruce mimo spodní stranu opracováványho materiálu
- Ujistěte se, že používáte správný typ pilového listu pro materiál, který řezáte. Zkontrolujte, že všechny podpěry a kabely jsou odstraněny z linie řezu
- Pokud je k dispozici ochranný kryt, použijte ho
- Na nářadí netlačte. Nechejte pilový list, aby si sám přešel cestu materiálem. Dosáhnete lepších výsledků a zároveň prodloužíte životnost vašeho nářadí

- Před započetím řezu si zkontrolujte, že pod materiálem je dostatek místa pro pilový list
- Patku stlačujte vždy proti materiálu
- Nikdy se nepokoušejte řezat materiál, který je silnější, než je uvedeno v Technických datech tohoto návodu
- Na pilový list při řezání netlačte, neohýbejte ho
- Pokud řez nevede celým materiálem, po dokončení řezu počkejte, dokud se pilový list úplně nezastaví, než nářadí zvednete z materiálu
- Prach, třísky nebo jiné odřezky u pilového listu nikdy neodstraňujte rukama
- Nikdy nesahejte na pilové listy, abyste odstranili třísky a jiné odřezky
- Pilové listy se během řezání zahřívají. Pokud si nimi potřebujete pracovat, počkejte, dokud nevychladnou
- Neuvoľujte zaseknutý pilový list, dokud jste nářadí nevyppjili z napájení
- Pravidelně kontrolujte, zda na nářadí nejsou uvolněné šrouby a maticky – pokud ano, utáhněte je

Bezpečnostní opatření pro řezné nářadí

VAROVÁNÍ. Před připojením nářadí do sítě zkontrolujte síťové napětí! Napětí zdroje proudu musí souhlasit s údaji na typovém štítku elektronářadí. Síťové napětí větší než napětí uvedené na typovém štítku může způsobit těžké poranění uživatele a/nebo zničení přístroje. Pokud si nejste jisti, přístroj nezapojte do sítě. Síťové napětí nižší než napětí uvedené na typovém štítku ničí motor.

Použijte správné řezné nářadí

- Ujistěte se, že řezné nářadí je vhodné pro danou práci. Nepředpokládejte, že nářadí je vhodné, dokud se před použitím nepodíváte do návodu

Chraňte svůj zrak

- Vždy noste vhodné ochranné brýle, když pracujete s řezným nářadím
- Brýle nejsou určeny pro ochranu očí při použití tohoto nářadí; běžná skla nejsou odolná proti nárazu a mohou se roztrhnout

Chraňte svůj sluch

- Vždy noste vhodné chrániče sluchu, pokud hluk nářadí převyšuje 85 dB

Chraňte si dýchací cesty

- Ujistěte se, že vy i okolostojící, mají vhodné dýchací masky

Chraňte své ruce

- Nepřibližujte ruce ke kotoučům či jiným řezným nástrojům. Používejte vhodné pomůcky pro posouvání materiálu, pokud pracujete s kratšími kusy

Sledujte své okolí

- Je zodpovědností uživatele nářadí, aby okolostojící lidé nebyli vystaveni nebezpečnému hluku nebo prachu a aby měli vhodné osobní ochranné pomůcky

Skryté objekty

- Materiál zkontrolujte a odstraňte všechny hřebíky a jiné objekty před započetím práce
- Nepokoušejte se řezat materiál, který obsahuje skryté objekty, pokud si nejste jisti, že řezné nářadí připevnené v nástroje tuto práci zvládne
- Ve stěnách mohou být elektrické rozvody a trubky, kapoty mohou obsahovat rozvody paliva apod. Vždy zkontrolujte místo, kde se chystáte pracovat, předtím, než práci započnete

Dávejte pozor na odletující odpadní materiál

- V některých situacích může dojít k tomu, že odpadní materiál může být vymršťován směrem pryč od nářadí. Je zodpovědností uživatele nářadí, aby okolostojící lidé byli chráněni před odletujícím materiálem

Upevnění řezných nástrojů

- Ujistěte se, že řezné nástroje jsou správně a bezpečně přichyceny k nářadí. Zkontrolujte, že jste odstranili klíče před použitím nářadí
- Používejte pouze řezné nástroje určené pro práci s tímto nářadím
- Řezné nástroje neupravujte
- Ujistěte se, že řezný nástroj je ostrý, v dobrém stavu a správně uchycený
- Nepokoušejte se ostřit řezné nástroje, které nejsou určeny k opakovanému ostření – takové nástroje mohou mít speciálně tvrzené ostří, které je vyrobeno z tvrdých slitin obsahujících např. wolfram
- Ostří, které je možné opakovaně ostřit, ostřete pouze podle pokynů výrobce tohoto ostří. Pokyny mohou např. obsahovat konečný počet ostření
- Opakovaně ostřitelné řezné nástroje by měly být před započetím práce důkladně prohlednuty, a pokud máte pochyby o jejich stavu a trvanlivosti, vyměňte je
- Pokud přijde ostří do kontaktu s materiálem, pro které není určeno, okamžitě ostří vyměňte

Směr vstupu materiálu

- Materiál vždy podávejte proti směru pohybu frény nebo kotouče

Dávejte pozor na teplotu nástrojů

- Při používání dochází k zahřátí řezných nástrojů. Nijak s nimi nemanipulujte, dokud úplně nevychladnou

Kontrola prachu/špon

- Nedovoľte, aby došlo k napečení prachu nebo špon. Prach se může vznítit a některé kovové špony mohou vybuchnout
- Při řezání dřeva a kovu buďte zvláště opatrní. Jiskry, které vznikají při řezání kovu, jsou běžnou příčinou vzniku požáru dřevitého prachu
- Kde je to možné, používejte systém pro odsávání prachu, abyste zajistili bezpečnější pracovní prostředí

Popis dílů

1. Přídavná rukojeť
2. Hlavní rukojeť
3. Spínač
4. Základna
5. Kryt základny
6. Přepínač režimu
7. Vodičko pilového listu
8. Otvor podélného dorazu
9. Závit knoflíku podélného dorazu
10. Kryt pilového listu
11. Západka krytu pilového listu
12. Upnutý pilového listu
13. Ventilací otvor motoru
14. Kolečko volby rychlosti
15. Šroub pro přístup k uhlíklům
16. Zámek úhlu základny

Příslušenství (není vyobrazeno):

- TJSBW10 Pilový list na dřevo – pro zakřivené řezy
- TJSBW06 Pilový list na dřevo a plast
- TJSBM21 Pilový list na kov
- Adaptér pro odsávání prachu
- Podélný doraz
- Knoflíky podélného dorazu 2x
- Adaptér pro lištu
- Brašna

Doporučené použití

Přímochařá kmitací pilka pro středně náročné rovné i zakřivené řezy ve dřevě, plastu a tenkém plechu (při použití vhodného pilového listu). Také je možné ji přichytlit k systému list Triton pro řezání krátkých kapsových řezů a výřezů s rovnými hranami.

Vybalení vašeho nářadí

- Nářadí opatrně vybalte a zkontrolujte. Seznamte se se všemi jeho vlastnostmi a funkcemi
- Ujistěte se, že v balení byly všechny díly a že jsou v pořádku. Pokud bude nějaký díl chybět nebo bude poškozen, nechejte si tyto díly vyměnit předtím, než s nářadím začnete pracovat

Před použitím

VAROVÁNÍ: Vždy vypojte nářadí z elektrické sítě, než začnete připevňovat nebo odstraňovat příslušenství nebo provádět změny v nastavení nářadí.

Vodičko pilového listu

- Vodičko pilového listu (7) je vybaveno pružinou. Záleží na zvoleném režimu na přepínači režimu (6) – vodičko má buď pevnou polohu (pilka nekmitá) nebo osciluje dopředu a dozadu, díky čemuž pilový list řeže kmitáním

Nastavení kmitání

Režim kmitání umožňuje efektivnější řezání materiálu tím, že vytváří lehce zakřivený oscilační řez. To umožňuje lepší řezání v silnějších materiálech a vystavuje motor i pilový list menší zátěži, protože mezi pilovým listem a materiálem je v určitých fázích řezu malý prostor.

Přepínač režimu (6) má 4 pozice:

- Pozice „0“ – běžné řezání bez kmitání
- Pozice 1, 2 a 3 jsou pro řezání s kmitáním. Dochází k pohybu pilového listu vpřed a vzad při řezání, čímž se zvyšuje kapacita řezání

- Pozice 1 poskytuje minimální kmitání; pozice 3 maximální kmitání
- Na kousku materiálu vyzkoušejte, jaká velikost kmitání je vhodná pro materiál, který řežete

DŮLEŽITÉ: Během používání přímočaré pily neměňte režim kmitání.

Nastavení polohy základny pro zkosené řezání

Základna (4) má 3 zářezy pro úhel 15°, 30° a 45° jak napravo, tak nalevo (obr. E):

1. Otočte pilu základnou nahoru a povolte zámek úhlu základny (16) tím, že vytáhnete páčku (obr. D)
2. Nastavte základnu do požadované polohy (obr. F)
3. Znovu utáhněte zámek základny

Poznámka: Pro přesné nastavení je třeba nejdříve udělat zkušební řez na kousku materiálu, poté zkontrolujte řez a příp. nastavení upravte, dokud nedosáhnete správného nastavení.

Poznámka: Pokud si přejete nastavit úhel mimo přednastavené úhly, je třeba si uvědomit, že úhel je zajištěn pouhým utažením a může tak dojít k povolení sevení úhlu během použití. (Je možné, že bude třeba provést úpravu nastavení šroubu zajišťujícího základnu (obr. I).

Adaptér pro odsávání prachu

Doporučujeme, abyste toto nářadí používali se systémem pro odsávání prachu, abyste pracovali v čistším a bezpečnějším pracovním prostředí. Toto je velmi důležité především tehdy, když pracujete s materiály, kde si nejste jisti, zda jsou toxické, např. s materiály, které mají starší nátěry nebo když bylo dřevo ošetřeno neznámými materiály.

• Adaptér pro odsávání prachu (obr. N) se připojí na zadní část základny a můžete tak k nářadí připojit dílenský odsávací systém nebo hadici dodávající vysavače, abyste mohli odsávat prach během řezání

VAROVÁNÍ: Horké kovové špony, které vznikají při řezání kovového plechu, mohou zapálit zbytkový dřevěný prach, který je v nádobě po předchozím řezání. V takovém případě odsávání nedoporučujeme.

Výměna pilového listu

1. Otočte nářadí spodní stranou nahoru, abyste měli přístup k pilovému listu
2. Vytáhněte západku krytu pilového listu (11) a odstraňte a vyměřte pilový list (obr. C)
3. Nechejte západku krytu, aby se sama vrátila do normální polohy
4. Zkontrolujte, že pilový list je dobře upevněn a v rovíně s vodítkem pilového listu (7)

Poznámka: Pokud jde pilový list jen ztěžka ven, velmi zlehka poklepejte na špičku listu dřevěnou palicí nebo něčím podobným. Tím by se pilový list měl uvolnit a budete ho moci vyjmout.

Přípevnění krytu základny

Přímočará pila je vybavena krytem základny (5), který zabrání poškrábání a jinému poškození většiny povrchů. Pokud potřebujete chránit jiného povrchu, obraťte se na svého prodejce Triton.

- Abyste kryt odstranili, vycvakněte zadní stranu základny (4) a poté základnu odstraňte z přední části základny (obr. J)
- Abyste kryt nasadili, nasadte ho nejdříve na přední část základny a zajistěte navcuknutím na zadní část základny

Přípevnění adaptéru pro lištu

Použitím adaptéru pro lištu můžete pilu používat pro vytváření krátkých kapsových řezů a výřezů s rovnými hranami společně se systémem lišt Triton.

1. Adaptér pro lištu se navcukne na základnu pily (4) bez přichyceného krytu (5)
2. Přední stranu základny přípevněte k adaptéru pro lištu, poté navcukněte zadní část základny.
3. Adaptér na lištu se upne k liště Triton (viz. obr. P) a můžete provádět přesné a snadné rovné řezy

Přípevnění podélného dorazu

Podélný doraz leží na hraně materiálu nebo jiného podélného okraje a umožňuje tak rovný podélný řez materiálem.

1. Našroubujte dva knoflíky podélného dorazu k zavitým podélnému dorazu (9), neutažte je
2. Vložte podélný doraz do otvorů podélného dorazu (8) na straně, kde budete řezat; zkontrolujte, že okraj podélného dorazu směřuje dolů (obr. O)
3. Nastavte požadovanou vzdálenost od okraje materiálu pomocí měřítka na podélném dorazu nebo jiného pravítka
4. Utáhněte knoflíky, abyste podélný doraz mohli použít

Pokyny pro použití

VAROVÁNÍ: Při práci s tímto nářadím VZDY noste ochranné brýle, vhodné chráněcí sluch a masku, stejně jako vhodné rukavice.

Nastavení rychlosti řezání

Rychlost řezání je možné nastavit před řezáním nebo v průběhu řezání pomocí kolečka volby rychlosti (14) v zadní části nářadí. Pokud si rychlost nastavíte před řezáním, budete se soustředit při práci na kontrolu pohybu nářadí – budete používat jak přidávnou (1), tak hlavní rukojeť (2). Rychlost pilového listu může být upravována, aby vyhovovala materiálu, který řežete. Tím zlepšíte řezný výkon a také ochráníte pilový list před opotřebením:

- Použijte kolečko volby rychlosti (14), abyste nastavili rychlost pilového listu

Zapnutí a vypnutí

1. Zapojte nářadí do elektrické sítě
2. Nářadí zapnete stlačením spínače (3) dopředu a stlačením dolů přední části ho uzamknete v pozici (obr. A a B)
3. Stlačení dolů zadní části spínače způsobí, že se spínač, který je vybaven pružinou, posune do polohy vypnutí

Řezání

VAROVÁNÍ: Zkontrolujte, že západka krytu pilového listu (11) a kryt pilového listu (10) jsou v dobrém stavu a ve správné pozici, aby se prsty během řezání nemohly dotknout pilového listu

2. Umístěte přední část základny (4) na okraj materiálu (obr. M) a pilu zapněte
3. Než začnete řezat, počkejte, dokud pila nedosáhne plné rychlosti
4. Pomalu vedte pilu dopředu pomocí obou rukou; základnu držte proti materiálu
5. Pílu netlačte – nechejte pilový list a pilu samotnou, aby řezaly. Používejte pouze tvrdý tlak, aby pilový list řezal

Řezání kapsových spojů a kruhu

- Pokud budete dělat řez uvnitř materiálu, vyvrtejte díru o průměru 12 mm v té části materiálu, který odřezáte (tedy ten díl, který vyhodíte), abyste si vytvořili dostatečný prostor pro pilový list (obr. L)
- Pokud budete řezat úzké křivky, snižte rychlost pily (obr. K)

VAROVÁNÍ: Nepohybuje pilou dopředu materiálem, dokud se pilové ostří plně nezařídlo do materiálu a patka nespočívá na povrchu materiálu.

1. To fit the Parallel Fence, slide it into the guides at the front of the Shoe Plate (13)
2. Use the Parallel Guide Fixing Screws (15) to secure in position (Image J)

Použití podélného dorazu

- Používejte podélný doraz, abyste vedli pilu podél rovné hrany, kterou může být okraj materiálu nebo prkno, které je k materiálu upnuté
- Podélný doraz je velmi účinný, pokud potřebujete řezat shodné části z jednoho kusu materiálu

Řezání kovu

- Při řezání kovu je třeba používat vhodný chladič nebo řezný olej
- Lubrikant aplikujte na pilový list nebo materiál v pravidelných intervalech během řezání, abyste minimalizovali opotřebení pilového listu

Příslušenství

- Příslušenství pro přímočarou pilu najdete u vašeho prodejce Triton včetně pilových listů pro různé druhy materiálů. Náhradní díly si můžete objednat u prodejce Triton nebo na www.toolsaresonline.com

Údržba

VAROVÁNÍ: Předtím, než na nářadí provádíte úpravy nebo opravy, se ujistěte, že je nářadí odpojeno z elektrické sítě.

Základní kontrola

- Pravidelně kontrolujte, že všechny šrouby jsou pevně přitážené
- Před každým použitím zkontrolujte přívodní kabel, zda není poškozen nebo opotřebený. Opravy může provádět pouze certifikované servisní středisko Triton. Toto doporučení se týká také prodlužovacích kabelů, které společně s tímto nářadím používáte

Čištění

VAROVÁNÍ: VŽDYDY používejte ochranné brýle, pokud nářadí čistíte

- Udržujte nářadí vždy čisté. Špína a prach může způsobit, že dojde k rychlému opotřebení vnitřních částí a zkrátí se tak životnost nářadí
- Tělo nářadí čistěte pomocí jemného kartáčku nebo suchého hadříku
- Nikdy nepoužívejte leptavé látky pro očištění plastových povrchů. Pokud je suché čištění nedostatečné, použijte jemný saponát nebo vlhký hadřík
- Nářadí nikdy nesmí přijít do kontaktu s vodou
- Ujistěte se, že nářadí je dostatečně vysušeno před použitím
- Pokud máte k dispozici stlačený čistý, suchý vzduch, profoukněte jím ventilační otvory

Promazávání

- Promazávejte všechny pohyblivé díly vhodným sprejem v pravidelných intervalech

Uhlíky

- Po určitém čase může dojít k opotřebování uhlíků uvnitř motoru
 - Opatřebovaný uhlík může způsobit ztrátu výkonu, občasné selhání nebo viditelné jiskření
1. Abyste mohli uhlíky vyměnit, odšroubujte šrouby pro přístup k uhlíkům (15) a opatrně odstraňte kryt na zadní straně nářadí
 2. Odstraňte malé šrouby (obr. G) a zvedněte rám, který drží uhlíky, o zhruba 12 mm (1/2"), elektrický konektor opatrně vyjměte (viz. šipka na obr. H)
 3. Prostrčte rámem konektor s vicebarevným měděným drátem, když budete opotřebované uhlíky vyjímat
 4. Konektor a drát nového uhlíku prostrčte rámem předtím, než do rámu umístíte nový uhlík
 5. Připojte elektrický konektor (obr. H)
 6. Opatrně rám zpátky nasadte a zajistěte ho šrouby
 7. Zkontrolujte, že rám dobře sedí

8. Zopakujte kroky 2-7 pro výměnu druhého uhlíku
 9. Znovu přichyťte kryt základny (5) a zašroubujte šrouby krytu uhlíků; zkontrolujte kabel a správnou polohu kolečka volby rychlosti (14)
 10. Z nářadí odstraňte pilový list a nářadí zapojte do sítě
 11. Nářadí pusťte na pomalou rychlost a poté rychlost zvyšujte, abyste zkontrolovali, že nářadí běží, jak má
 - Nářadí si také můžete nechat opravit v certifikovaném servisním centru Triton
- DŮLEŽITÉ:** Uhlíky měřte vždy v páru.

Skladování

- Toto nářadí uchovávejte na bezpečném, suchém místě mimo dosah dětí

Likvidace

Vždy dbejte místních zákonů, pokud potřebujete přístroj zlikvidovat, protože již nefunguje a není možné ho opravit.

- Nevyhazujte elektronářadí nebo jiný elektroodpad (WEEE) do domovního odpadu
- V případě dotazů kontaktujte příslušný úřad pro bližší informace o likvidaci elektrozařízení

Záruka

Pro registraci záruky navštivte naše webové stránky www.tritontools.com* a zadejte informace o výrobku. Vaše údaje budou uloženy (pokud tuto možnost nezakážete) a budou vám zaslány novinky. Vaše údaje neposkytneme žádné třetí straně.

Záznam o nákupu

Datum pořízení: ___/___/___

Model: XXXX

Kupní doklad uschovejte jako potvrzení zakoupení výrobku

CE Prohlášení o shodě

Niže podepsaný: pan Darrell Morris

zplnomocněný: Triton Tools

prohlašuje, že

Toto prohlášení bylo vydáno na výhradní odpovědnost výrobce.

Předmět tohoto prohlášení je v souladu s příslušnou harmonizační legislativou Unie.

Výrobek číslo: XXXX

Popis: XXXX

Byl uveden na trh ve shodě se základními požadavky a příslušnými ustanoveními následujících směrnic:

Směrnice o bezpečnosti strojních zařízení 2006/42/EC

Směrnice o technických požadavcích na výrobky z hlediska nízkého napětí 2014/35/EC

Směrnice o technických požadavcích na výrobky z hlediska jejich elektromagnetické kompatibility 2014/30/EC

Směrnice RoHS 2011/65/EU

- EN 60745-1
- EN 60745-2-4
- EN 55014-1
- EN 55014-2
- EN 61000-3-2
- EN 61000-3-3
- EN 62321

Pokud se během 3-letá ode dne nákupu objeví závada výrobku společnosti Triton Precision Power Tools, která byla způsobená vadou materiálu nebo vadným zpracováním, Triton opraví nebo vymění vadný díl zdarma.

Tato záruka se nevztahuje na výrobky, které budou používány pro komerční účely, a dále na poškození, které je způsobeno neodborným použitím nebo mechanickým poškozením výrobku.

* Registrujte se během 30 dní od nákupu.

Změna podmínek vyhrazena.

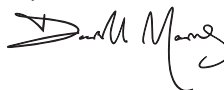
Těmito podmínkami nejsou dotčena vaše zákonná práva.

Notifikovaná osoba: TÜV Rheinland Co., Ltd.

Technická dokumentace je uložena u: Triton Tools

Datum: XX/XX/XXXX

Podpis:



Mr Darrell Morris

Výkonný ředitel

Jméno a adresa výrobce:

Powerbox International Limited, Company No. 06897059. Registrovaná

adresa: Powerbox Int. Ltd. Somerset, BA22 8HZ, United Kingdom.

Preklad originálneho návodu

Úvod

Ďakujeme za zakúpenie výrobku Triton, tento manuál obsahuje informácie nutné k bezpečnému používaniu a správne fungovaniu tohto výrobku. Tento výrobok ponúka mnoho jedinečných funkcií. Je možné, že ste už s podobným výrobkom pracovali, napriek tomu si však prečítajte tento manuál, aby ste naplno pochopili všetky inštrukcie. Uistite sa, že každý, kto s výrobkom pracuje, si tento manuál prečítal a porozumel mu.

Použitie symboly

Typový štítok na vašom náradí môže obsahovať symboly. Tie predstavujú dôležité informácie o výrobku alebo pokyny na jeho použitie.



Používajte chrániče sluchu
Používajte ochranné okuliare
Používajte respirátory
Používajte ochranu hlavy



Prečítajte si návod



Používajte ochranné rukavice



Pozor!



Nebezpečné výpary alebo plyny!



Nepoužívajte v dažď alebo vo vlhkom prostredí!



Náradie vždy vypojte z elektrickej siete, ak vykonávate úpravy, meníte príslušenstvo, čistíte, vykonávate údržbu a keď náradie nepoužívate!



VAROVANIE: Pohyblivé časti môžu spôsobiť rozdrveniu alebo rezné poranenia!



Trieda ochrany II (dvojitá izolácia pre väčšiu ochranu)



Ochrana životného prostredia
Nevyhádzajte elektronáradie do domového odpadu. Zariadenie odovzdajte na recykláciu. V prípade otázok kontaktujte príslušný úrad alebo predajcu.



V súlade s príslušnou legislatívou a bezpečnostnými štandardmi.

Tabuľka technických skratiek

V	volty	Hz	hertz
~, AC	striedavý prúd	—, DC	Jednosmerný prúd
A, mA	ampér, miliampér	W, kW	watt, kilowatt
n0	otáčky naprázdno	/min or min ⁻¹	operácie za minútu
n	menovité otáčky	rpm	otáčky za minútu
opm	obehy alebo oscilácie za minútu	dB(A)	hladina akustického tlaku v decibeloch (vážená)
spm	zdvihy za minútu	m/s ²	metre za sekundu ² (veľkosť vibrácií)
°	stupne		
Ø	priemer		

Technické informácie

Napätie:	230 V~, 50 Hz
Výkon:	750 W
Ootáčky naprázdno:	800-3000 min ⁻¹
Zdvih:	26 mm
Upnutí pilového listu:	bajonet s T-stopkou
Upnutí pilového listu:	Pilový list na drevo: nízky profil, zakrivene rezy v dreve (prírodnom i umelom) Pilový list na drevo: rýchle rovné rezy v dreve (prírodnom i umelom) a plastu Pilový list na kov: rezy v železných i neželezných materiáloch
Rozsah uhla rezania:	0°, 15°, 30° & 45° (vľavo i vpravo)
Hĺbka rezu v:	
Drevo:	110 mm
Hliník:	25 mm
Oceľ:	10 mm
Rozmery (D x Š x V):	340 x 85 x 215 mm
Hmotnosť:	3,5 kg
Vzhľadom k nepretržitému vývoju výrobkov Triton sa technické dáta našich výrobkov môžu meniť bez ohľadovania.	
Údaje o hluku a vibráciách:	
Akustický tlak L_{pa}:	80,9 dB(A)
Akustický výkon L_{wa}:	91,9 dB(A)
Tolerancia K:	3 dB
Vážené vibrácie:	
Rezanie dreva:	13,2 m/s ²
Rezanie kovového plechu:	13,8 m/s ²
Tolerancia:	1,5 m/s ²
Pokiaľ úroveň hluku podľa použitého elektronáradia prekročí 85 dB(A), je treba prijať ochranné protihlukové opatrenia.	

VAROVANIE: Ak hladina hluku presiahne 85 dB(A), vždy noste chrániče sluchu a obmedzte dobu práce s elektrónarádami. Pokiaľ sa hladina hluku stane neprijemnou aj s chráničmi sluchu, ihneď prestarte náradie používať. Skontrolujte, či máte chrániče sluchu správne pripnuté, aby mohli poskytovať potrebné zníženie hladiny hluku, ktoré elektrónaradie vydáva.

VAROVANIE: Vystavenie sa vibráciám elektrónaradia môže spôsobiť stratu vnímania dotyku, necitlivosť rúk, mravčenie a/alebo obmedzenú schopnosť úchopu. Dlhodobé vystavenie sa vibráciám môže tieto problémy zmeniť na chronický stav. Ak je treba, obmedzte čas, kedy ste vibráciám vystavení a používajte anti-vibračné rukavice. Elektrónaradie nepoužívajte v prostredí s teplotou nižšou než je izbová teplota, pretože vibrácie môžu mať väčší efekt. Využite hodnoty uvedené v technických informáciách, aby ste určili vhodnú dobu práce a frekvenciu práce s elektrónarádami.

Úroveň hluku a vibrácií bola zameraná podľa meracích metód normovaných v EN60745, príp. podobných medzinárodných štandardov. Namerané hodnoty zodpovedajú bežnému používaniu elektrónaradia v bežných pracovných podmienkach. Nevhodne udržiavané, nesprávne zložené alebo nesprávne používané náradie môže vytvárať vyššie hladiny hluku a vibrácií. www.osha.europa.eu ponúka informácie o úrovni hluku a vibrácií v pracovnom prostredí; tieto informácie môžu byť užitočné pre hobby používateľov, ktorí používajú prístroj častejšie.

Bezpečnostní opatření

UPOZORNĚNÍ: Přečtete si všechna bezpečnostní varování a instrukce. Neuposlechnutí následujících varování může způsobit úraz elektrickým proudem, požár a/nebo vážné poranění.

UPOZORNĚNÍ: Tento přístroj nesmí být používán osobami (včetně dětí) s tělesným nebo mentálním poškozením. Dále ho nesmí používat osoby s minimem zkušeností nebo znalostí.

Uchovávejte všechna varování a instrukce pro budoucí použití.

Výrazem "elektronarádi" zmiňovaných v bezpečnostních opatřeních se rozumí zařízení používané v elektrické síti (se síťovým kabelem) anebo zařízení, které využívá bateriový pohon (bez síťového kabelu).

1. Bezpečnost pracovního místa

- Udržujte pracovní místo čisté a dobře osvětlené. Nepořádek nebo neosvětlené pracovní místo může vést k úrazům.
- Nepoužívejte elektrónaradí v prostredí ohrozeném explozi, kde se nachádzajú horľavé kapaliny, plyny nebo prach. Elektrónaradí vytvárajú iskry, ktoré môžu prach nebo páry zapáliť.
- Deťi a jiné přihlížející osoby udržujte při použití elektrónaradí daleko od pracovního místa. Při rozptýlení můžete ztratit kontrolu nad přístrojem.

2. Bezpečná práce s elektřinou

- Připojování zástrčka elektrónaradí musí odpovídat zásuvce. Zástrčka nesmí být žádným způsobem upravená. Společně s elektrónarádami s ochranným uzemněním nepoužívejte žádné adaptérové zástrčky. Neupravte zástrčky a vhodné zásuvky snižují pravděpodobnost úrazu elektrickým proudem.
- Vyhnete se tělesnému kontaktu s uzemňujícími povrchy jako je potrubí, topná tělesa, sporáky a chladničky. Je-li vaše tělo uzemněno, hrozí zvýšené riziko úrazu elektrickým proudem.
- Chraňte zařízení před deštěm a vlhkem. Vniknutí vody do elektrónaradí zvyšuje nebezpečí úrazu elektrickým proudem.
- Dbejte na účel kabelu, nepoužívejte jej k nošení či zavěšení elektrónaradí nebo k vytáhnutí zástrčky ze zásuvky. Udržujte kabel daleko od tepla, oleje, ostrých hran nebo pohyblivých dílů stroje. Poškozené nebo spletené kabely zvyšují riziko zásahu elektrickým proudem.
- Pokud pracujete s elektrónarádami venku, použijte pouze takové prodlužovací kabely, které jsou způsobilé i pro venkovní použití. Použijte prodlužovacího kabelu, jež je vhodný pro použití venku, snižuje riziko zásahu elektrickým proudem.
- Pokud se nelze vyhnout provozu elektrónaradí ve vlhkém prostředí, použijte proudový chránič. Použití proudového chrániče snižuje riziko zásahu elektrickým proudem.
- Pro použití v Austrálii a na Novém Zélandu doporučujeme, aby byl tento výrobek VZDY dodáván společně s proudovým chráničem se zbytkovým proudem 30mA nebo méně.

3. Osobní bezpečnost

- Buďte pozorní, dávejte pozor na to, co děláte, a přistupujte k práci s elektrónarádami rozumně. Nepoužívejte žádné elektrónaradí, pokud jste unaveni nebo pod vlivem drog, alkoholu nebo léků. Moment nepozornosti při použití elektrónaradí může vést k vážným poraněním.
- Noste osobní ochranné pomůcky a vždy ochranné brýle. Nošení osobních ochranných pomůcek jako je maska proti prachu, bezpečnostní obuv s protiskluzovou podrážkou, ochranná přilba nebo sluchátka, podle druhu použití elektrónaradí, snižují riziko poranění.
- Zabraňte neúmyslnému uvedení do provozu. Přesvědčte se, že je elektrónaradí vypnuté, dříve, než jej uchopíte, ponesete či připojíte na zdroj proudu a/nebo akumulátor. Máte-li při nošení elektrónaradí prst na spínači, nebo pokud stroj připojíte ke zdroji proudu zapnutý, může dojít k úrazům.
- Než elektrónaradí zapnete, odstraňte seřizovací nástroje nebo šroubováky. Nástroj nebo klíč, který se nachází v otáčivém dílu stroje, může vést k poranění.

e) Zajistěte si bezpečný postoj a udržujte vždy rovnováhu. *Tim můžete elektrónaradí v neočekávaných situacích lépe kontrolovat.*

- Noste vhodné oděv. Nenoste žádný volný oděv nebo šperky. Vlasy, oděv a rukavice udržujte daleko od pohybujících se dílů. *Volný oděv, šperky nebo dlouhé vlasy mohou být zachyceny pohybujícími se díly.*
- Ze-li namontovaní odsávací či zachycující přípravky, přesvědčte se, že jsou připojeny a správně použity. *Použití odsávací prachu může snížit ohrožení prachem.*
- Svědomitě zacházení a používání elektrónaradí
 - Přístroj nepřetěžujte. *Pro svou práci použijte k tomu určené elektrónaradí. S vhodným elektrónarádím zvolíte práci lépe a bezpečněji.*
 - Nepoužívejte žádné elektrónaradí, jehož spínač nebo přírodní kabel je vadný. *Elektrónaradí, které nelze zapnout či vypnout, je nebezpečné a musí se opravit.*
 - Než provedete seřízení stroje, výměnu dílů příslušenství nebo stroj odložíte, vytáhnete zástrčku ze zásuvky a/nebo odstraníte akumulátor. *Toto preventivní opatření zabrání neúmyslnému zapnutí elektrónaradí.*
 - Uchovávejte nepoužívané elektrónaradí mimo dosah dětí. *Nenechte stroj používat osobám, které se strojem nejsou seznámeny nebo nečetly tyto pokyny. Elektrónaradí je nebezpečné, je-li používáno nezkušenými osobami.*
 - Pečujte o elektrónaradí svědomitě. *Zkontrolujte, zda pohyblivé díly stroje bezvadně fungují a nevzpříčují se, zda díly nejsou zlomené nebo poškozené tak, že je omezena funkce elektrónaradí. Poškozené díly nechte před opětovným použitím přístroje opravit. Mnoho úrazů má příčinu ve špatně udržovaném elektrónarádí.*
 - Řezné nástroje udržujte ostré a čisté. *Pečlivě ošetřované řezné nástroje s ostrými řeznými hranami se méně vzpříčují a snadněji se vedou.*
 - Používejte elektrónaradí, příslušenství, nasazovací nástroje apod. podle těchto pokynů. *Respektujte přitom pracovní podmínky a prováděnou činnost. Použití elektrónaradí pro jiné než určené použití může vést k nebezpečným situacím.*
- Servis
 - Nechte vaše elektrónaradí opravit pouze certifikovaným odborným personálem a pouze s originálními náhradními díly. *Tim bude zajištěno, že bezpečnost stroje zůstane zachována.*

Bezpečnostné opatrenia pre priamočiare pily

VAROVANIE: Pred pripojením náradia ku zdroju elektrickej energie (sieťový spínač, zásuvka atď.) sa uistite, že napätie je rovnaké, ako je uvedené na typovom štítku náradia. Väčšie napätie, než je napätie uvedené na štítku, môže spôsobiť vážne poranenie užívateľovi náradia a poškodiť náradie. Ak si nie ste istí, náradie nezapájajte. Ak je napätie nižšie, než je na typovom štítku uvedené, môžete poškodiť motor náradia.

- Náradie držte iba za izolované rukoväte a povrchy, ak vykonávate prácu, pri ktorej by náradie mohlo prísť do kontaktu s vlastným prírodným káblom. *Prezazením "živého" kábla môže spôsobiť, že kovové časti elektrického náradia sa stanú tiež "živými" a môžu spôsobiť poranenie pri práci elektrickým proudom.*
- Nesiahajte pod opracovávaný materiál. *Ochranný kryt vás nemôže chrániť pred pilovým listom zospodu materiálu.*
- Materiál, s ktorým pracujete, nikdy nedržte v ruke alebo ho neopierajte o nohy. *Materiál je potrebné náležite upnúť, aby ste minimalizovali zranenia alebo možnosť straty kontroly.*

Informácie o tom, aké osobné ochranné pomôcky / vybavenie a aké bezpečnostné riziká sú spojené s používaním ručné elektrické náradie, nájdete v časti Bezpečnostné opatrenia v tomto návode.

- Nadovoľte nikomu, kto je mladší ako 18 rokov, aby pracoval s týmto elektrónarádím
- Uistite sa, že máte dostatočné svetlo na prácu
- V okolí pracovnej plochy by sa nemali nachádzať handry, káble a drôty
- Udržujte priestor v takom stave, aby nedošlo k zakopnutiu
- Pred započatím práce si materiál vždy skontrolujte a odstraňte všetky zapustené predmety
- Materiál podprite alebo upnite svorkami, aby ste predišli vibráciám a zaistili dobrú kvalitu rezu
- V časti Technické informácie nájdete informáciu o vhodnom pilovom listu. Neprávnym typ pilového listu môže byť nevhodne uchytý, čo predstavuje bezpečnostné riziko
- Používajte iba pilové listy, ktoré sú v dobrom stave
- Ak ste počas práce s pilou prerušení, dokončite rez, pilu vypnite a až potom vzhľadnite
- Držte ruky mimo spodnú stranu opracovávaného materiálu
- Uistite sa, že používate správny typ pilového listu pre materiál, ktorý režete. Skontrolujte, že všetky podpery a káble sú odstránené z linie rezu
- Ak je k dispozícii ochranný kryt, používajte ho
- Na náradie neťahajte. Nechajte pilový list, aby si sám prerazal cestu materiálom. Dosiahnete lepšie výsledky a zároveň predĺžite životnosť vášho náradia

- Pred začatím rezu si skontrolujte, že pod materiálom je dostatok miesta pre pilový list
- Pätku stlačajte vždy proti materiálú
- Nikdy sa nepokúšajte rezať materiál, ktorý je silnejší, než je uvedený v Technických informáciách tohto návodu
- Na pilový list pri rezaní netlačte, neohýbajte ho
- Ak rez nevedie celým materiálom, po dokončení rezu počkajte, kým sa pilový list úplne nezastaví, než náradie zdvihnete z materiálú
- Prach, triesky alebo iné odrezky u pilového listu nikdy neodstraňujte rukami
- Nikdy nesiahajte na pilové listy, aby ste odstránili triesky a iné odrezky
- Pilové listy sa počas rezania zahrievajú. Pokiaľ s nimi potrebujete pracovať, počkajte, kým nevychladnú
- Neuvoľňujte zaseknutý pilový list, kým ste náradie nevypojili z napájania
- Pravidelne kontrolujte, či na náradí nie sú uvoľnené skrutky a maticky - ak áno, utiahnite je

Bezpečnostné opatrenia pre rezné náradie

VAROVANIE. Skontrolujte sieťové napätie! Napätie zdroja prúdu musí súhlasiť s údajmi na typovom štítku elektronáradia. Sieťové napätie väčšie ako napätie uvedené na typovom štítku môže spôsobiť ťažké poranenie používateľa a/alebo zničenie prístroja. Ak si nie ste istí, prístroj nezapájajte do siete. Sieťové napätie nižšie ako napätie uvedené na typovom štítku ničia motor.

Používajte správne rezné náradie

- Uistite sa, že rezné náradie je vhodné pre danú prácu. Nepredpokladajte, že náradie je vhodné, kým sa pred použitím nepozriete do návodu

Chráňte svoj zrak

- Vždy noste vhodné ochranné okuliare, keď pracujete s rezným náradím
- Okuliare nie sú určené pre ochranu očí pri použití tohto náradia; bežná skla nie sú odolné proti nárazu a môžu sa roztrieštiť

Chráňte svoj sluch

- Vždy noste vhodné chrániče sluchu, ak hluk náradie prevyší 85 dB

Chráňte si dýchacie cesty

- Uistite sa, že vy aj okolostojáci, majú vhodné dýchacie masky

Chráňte svoje ruky

- Nepribližujte ruky k kotúčom či iným rezným nástrojom. Používajte vhodné pomôcky pre posúvanie materiálú, ak pracujete s kratšími kusmi

Sledujte svoje okolie

- Je zodpovednosťou užívateľa náradia, aby okolostojace ľudia neboli vystavení nebezpečnému huku alebo prachu a aby mali vhodné osobné ochranné pomôcky

Skryté objekty

- Materiál skontrolujte a odstráňte všetky klince a iné objekty pred začatím práce
- Nepokúšajte sa rezať materiál, ktorý obsahuje skryté objekty, ak si nie ste istí, že rezné náradie pripevnené v nástroji túto prácu zvládne
- V stenách môžu byť elektrické rozvody a rúrky, kapoty môžu obsahovať rozvody paliva a pod. Vždy skontrolujte miesto, kde sa chystáte pracovať, predtým, než prácu začnete

Dávajte pozor na odletujúci odpadový materiál

- V niektorých situáciách môže dôjsť k tomu, že odpadový materiál môže byť vymršťovaný smerom preč od náradia. Je zodpovednosťou užívateľa náradia, aby okolostojace ľudia boli chránení pred odletujúcim materiálom

Upevnenie rezných nástrojov

- Uistite sa, že rezné nástroje sú správne a bezpečne prichytené k náradia. Skontrolujte, že ste odstránili kľúče pred použitím náradia
- Používajte iba rezné nástroje určené pre prácu s týmto náradím
- Rezné nástroje neupravujte
- Uistite sa, že rezný nástroj je ostrý, v dobrom stave a správne uchytýny
- Nepokúšajte sa ostriť rezné nástroje, ktoré nie sú určené na opakované ostrenie - také nástroje môžu mať špeciálne tvrdené ostrie, ktoré je vyrobené z tvrdých zliatin obsahujúcich napr. volfrám
- Ostrie, ktoré je možné opakovane ostriť, ostriete len podľa pokynov výrobcu tohto ostria. Pokyny môžu napr. obsahovať konečný počet ostrení
- Opakovane ostriteľné rezné nástroje by mali byť pred začatím práce dôkladne prehladnuté a ak máte pochybnosti o ich stave a trvanlivosti, vymeňte ich
- Ak prídete ostrie do kontaktu s materiálom, pre ktoré nie je určené, okamžite ostrie vymeňte

Smer vstupu materiálú

- Materiál vždy podávajte proti smeru pohybu frézy alebo kotúče

Dávajte pozor na teplotu nástrojov

- Pri používaní dochádza k zahriatiu rezných nástrojov. Nikako s nimi nemanipulujte, kým úplne nevychladnú

Kontrola prachu/špon

- Nedovoľte, aby došlo k napeččeniu prachu alebo špon. Prach sa môže vznietiť a niektoré kovové špony môžu vybuchnúť
- Pri rezaní dreva a kovu budete zvlášť opatrní. Iskry, ktoré vznikajú pri rezaní kovu, sú bežnou príčinou vzniku požiaru drevitého prachu
- Kde je to možné, používajte systém pre odsávanie prachu, aby ste zaistili bezpečnejšie pracovné prostredie

Popis dielov

1. Prídavná rukoväť
2. Hlavná rukoväť
3. Spinač
4. Základňa
5. Kryt základne
6. Prepínač režimu
7. Vodičko pilového listu
8. Otvor pozdĺžneho dorazu
9. Závit gombíka pozdĺžneho dorazu
10. Kryt pilového listu
11. Západka krytu pilového listu
12. Uprnutie pilového listu
13. Ventiláčny otvor motora
14. Kolesko voľby rýchlosti
15. Skrutka pre prístup k uhlikom
16. Záмок uhla základne

Príslušenstvo (nie je vyrobené):

- TJSBW10 Pilový list na drevo - pre zakrivené rezy
- TJSBW06 Pilový list na drevo a plast
- TJSBM21 Pilový list na kov
- Adaptér pre odsávanie prachu
- Pozdĺžny doraz
- Gombíky pozdĺžneho dorazu 2x
- Adaptér pre lištu
- Taška

Odporúčané použitie

Priamočiará kmitacia píla pre stredne náročné rovné aj zakrivené rezy v dreve, plastu a tenkom plechu (pri použití vhodného pilového listu). Tiež je možné ju prichytiť k systému list Triton pre rezanie krátkych kapsových rezov a výřezov s rovnými hranami.

Vybalenie vášho náradia

- Náradie opatrne vybaľte a skontrolujte. Oboznámte sa so všetkými jeho vlastnosťami a funkciami
- Uistite sa, že v balení boli všetky diely a že sú v poriadku. Pokiaľ by niektorý diel chýbal alebo bol poškodený, nechajte si tento diel vymeniť pred tým, než s náradím začnete pracovať

Pred použitím

VAROVANIE: Vždy vypojte náradie z elektrickej siete, než začnete prípravovať alebo odstraňovať príslušenstvo alebo vykonávať zmeny v nastavení náradia.

Vodičko pilového listu

- Vodičko pilového listu (7) je vybavené príčinou. Záleží na zvolenom režime na prepínači režimu (6) - vodičko má buď pevnú polohu (píla nekmitá) alebo osciluje dopredu a dozadu, vďaka čomu pilový list reže kmitaním

Nastavenie kmitania

Režim kmitania umožňuje efektívnejšie rezanie materiálu tým, že vytvára mierne zakrivený oscilačný rez. To umožňuje lepšie rezanie v silnejších materiáloch a vystavuje motor aj pilový list menšej záťaži, pretože medzi pilovým listom a materiálom je v určitých fázach rezu malý priestor.

Prepínač režimu (6) má 4 pozície:

- Pozícia "0" - bežné rezanie bez kmitania
- Pozícia 1, 2 a 3 sú pre rezanie s kmitaním. Dochádza k pohybu pilového listu vpred a vzad pri rezaní, čím sa zvyšuje kapacita rezania
- Pozícia 1 poskytuje minimálne kmitanie; pozície 3 maximálne kmitanie
- Na kúsku materiálu vyskúšajte, aká veľkosť kmitania je vhodná pre materiál, ktorý režete

DŮLEŽITÉ: Počas používania priamočiariere pily nemeňte režim kmitania.

Nastavenie polohy základne pre skosené rezanie

Základňa (4) má 3 zárezy pre uhol 15°, 30° a 45° ako napravo, tak naľavo (obr. E):

1. Otočte pílu základňou hore a povoľte záмок uhla základne (16) tým, že vytiahnete páčku (obr. D)
2. Nastavte základňu do požadovanej pozície (obr. F)
3. Znovu utiahnite záмок základne

Poznámka: Pre presné nastavenie je potrebné najskôr urobiť skúšobný rez na kúsku materiálu; potom skontrolujte rez a príp. nastavenie uvalu, kým nedosiahnete správne nastavenie.

Poznámka: Ak si prajete nastaviť uhol mimo prednastavené uhly, je potrebné si uvedomiť, že uhol je zaistený jednoduchým utiahnutím a môže tak dôjsť k povoleniu zovretiu uhla počas použitia. Je možné, že bude potrebné vykonať úpravu nastavenia skrutky zabezpečujúcej základňu (obr. I).

Adaptér pre odsávanie prachu

Odporúčame, aby ste toto náradie používali so systémom pre odsávanie prachu, aby ste pracovali v čistejšom a bezpečnejšom pracovnom prostredí. Toto je veľmi dôležitý predovšetkým vtedy, keď pracujete s materiálmi, kde si nie ste istí, či sú toxické, napr. s materiálmi, ktoré majú staršie nátery alebo keď bolo drevo ošetrované neznámym materiálom.

- Adaptér pre odsávanie prachu (obr. N) sa pripojuje na zadnú časť základne a môžete tak k náradíu pripojiť dielenský odsávací systém alebo hadicu domáceho vysávača, aby ste mohli odsávať prach počas rezania

VAROVANIE: Horúce kovové sprongy, ktoré vznikajú pri rezaní kovového plechu, môžu zapáliť zvyškový drevený prach, ktorý je v nádobe po predchádzajúcom rezaní. V takom prípade odsávanie neodporúčame.

Výmena pilového listu

1. Otočte náradie spodnou stranou nahor, aby ste mali prístup k pilovému listu
2. Vytiahnite západku krytu pilového listu (11) a odstráňte a vymeňte pilový list (obr. C)
3. Nechajte západku krytu, aby sa sama vrátila do normálnej pozície
4. Skontrolujte, že pilový list je dobre upevnený a v rovine s vodítkom pilového listu (7)

Poznámka: Pokiaľ ide pilový list len sťažka von, veľmi zľahka kliknite na špičku liste drevenou paličkou alebo niečím podobným. Tým by sa pilový list mal uvoľniť a budete ho môcť vybrať.

Pripevnenie krytu základne

Priamočiariera píla je vybavená krytom základne (5), ktorý zabráni poškriabaniu a inému poškodeniu väčšiny povrchov. Ak potrebujete chrániť iného povrchu, obráťte sa na svojho predajcu Triton.

- Aby ste kryt odstránili, vycvaknite zadnú stranu základne (4) a potom základňu odstráňte z prednej časti základne (obr. J)
- Aby ste kryt nasadili, nasadte ho najskôr na prednú časť základne a zaistite navcuknutím na zadnú časť základne

Pripevnenie adaptéra pre lištu

Použitím adaptéra pre lištu môžete pílu používať pre vytváranie krátkych kápskových rezov a výrezov s rovnými hranami spoločne so systémom lišt Triton.

1. Adaptér pre lištu sa zavakuje na základňu pily (4) bez prichyteného krytu (5)
2. Prednú stranu základne pripievňte k adaptéru pre lištu, potom navcuknite zadnú časť základne. Zaistite skrutky
3. Adaptér na lištu sa upne k lište Triton (viď. obr. P) a môžete vykonávať presné a ľahké rovné rezy

Pripevnenie pozdĺžneho dorazu

Pozdĺžny doraz leží na hrane materiálu alebo iného pozdĺžneho okraja a umožňuje tak rovný pozdĺžny rez materiálom.

1. Naskrutkujte dva gombíky pozdĺžneho dorazu k závitom pozdĺžneho dorazu (9), neťahajte
2. Vložte pozdĺžny doraz do otvorov pozdĺžneho dorazu (8) na strane, kde budete rezať; skontrolujte, že okraj pozdĺžneho dorazu smeruje nadol (obr. O)

3. Nastavte požadovanú vzdialenosť od okraja materiálu pomocou mieryk na pozdĺžnom doraze alebo iného pravítka
4. Uťahnite gombíky, aby ste pozdĺžny doraz mohli použiť

Pokyny pre použitie

VAROVANIE: Pri práci s týmto náradím VŽDY noste ochranné okuliare, vhodné chrániče sluchu a masku, rovnako ako vhodné rukavice.

Nastavenie rýchlosti rezania

Rýchlosť rezania je možné nastaviť pred rezaním alebo v priebehu rezania pomocou kolieska voľby rýchlosti (14) v zadnej časti náradia. Pokiaľ si rýchlosť nastavíte pred rezaním, budete sa sústreďiť pri práci na kontrolu pohybu náradia - budete používať aj prídavnú (1), tak hlavnú rukoväť (2). Rýchlosť pilového listu môže byť upravená, aby vyhovovala materiálu, ktorý režete. Tým zlepšíte rezný výkon a tiež ochránite pilový list pred opotrebovaním:

1. Použite koliesko voľby rýchlosti (14), aby ste nastavili rýchlosť pilového listu

Zapnutie a vypnutie

1. Zapojte náradie do elektrickej siete
2. Náradie zapnite stlačením spínača (3) dopredu a stlačením dole prednej časti ho uzamknete v pozícii (obr. A a B)
3. Stlačenie nadol zadnej časti spínača spôsobí, že sa spínač, ktorý je vybavený pružinou, posunie do pozície vypnutu

Rezanie

1. **VAROVANIE:** Skontrolujte, že západka krytu pilového listu (11) a kryt pilového listu (10) sú v dobrom stave a v správnej pozícii, aby sa prsty počas rezania nemohli dotknúť pilového listu
2. Umiestnite prednú časť základne (4) na okraj materiálu (obr. M) a pílu zapnite
3. Než začnete rezať, počkajte, kým píla nedosiahne plnej rýchlosti
4. Pomaly vedte pílu dopredu pomocou oboch rúk; základňu držte proti materiálu
5. Pílu netlačte - nechajte pilový list a pílu samotnú, aby rezali. Používajte iba taký tlak, aby pilový list rezal

Rezanie kápskových spojov a kruhu

- Ak budete robiť rez vo vnútri materiálu, vyvážajte dieru s priemerom 12 mm v tej časti materiálu, ktorý odrezáte (teda ten diel, ktorý vyhodíte), aby ste si vytvorili dostatočný priestor pre pilový list (obr. L)
- Ak budete rezať úzke krivky, znížte rýchlosť pily (obr. K)

VAROVANIE: Nechýbajte pílu dopredu materiálom, kým sa pilové ostrie plne nezarezalo do materiálu a pátka nespočívajú na povrchu materiálu.

Použitie pozdĺžneho dorazu

- Používajte pozdĺžny doraz, aby ste viedli pílu pozdĺž rovnej hrany, ktorú môže byť okraj materiálu alebo doska, ktoré je k materiálu upnutá
- Pozdĺžny doraz je veľmi užitočný, ak potrebujete rezať vhodné časti z jedného kusu materiálu

Rezanie kovu

- Pri rezaní kovu treba používať vhodný chladiaci alebo rezný olej
- Lubrikant aplikujte na pilový list alebo materiál v pravidelných intervaloch počas rezania, aby ste minimalizovali opotrebovanie pilového listu

Príslušenstvo

- Príslušenstvo pre priamočiariera pílu nájdete u vášho predajcu Triton vrátane pilových listov pre rôzne druhy materiálov. Náhradné diely si môžete objednať u predajcu Triton alebo na www.toolsaresonline.com

Údržba

VAROVANIE: Predtým, než na náradíu vykonávate úpravy alebo opravy, sa uistite, že je náradie odpojené z elektrickej siete.

Základná kontrola

- Pravidelne kontrolujte, že všetky skrutky sú pevne priťahnuté. Pôsobením času a vibrácií sa môžu uvoľniť
- Pred každým použitím kontrolujte, či privodný kábel nie je poškodený alebo nevykazuje známky opotrebenia. Ak je potrebné vymeniť privodný kábel, musí to vykonať výrobca náradia a alebo jeho predajca, aby ste predišli bezpečnostnému riziku. To isté sa týka aj predlžovacích káblov, ak je s náradím používané

Čistenie

VAROVANIE: VŽDY používajte ochranné okuliare, pokiaľ náradie čistíte

- Udržujte náradie vždy čisté. Špina a prach môžu spôsobiť, že dôjde k rýchlemu opotrebovaniu vnútorných častí a skráti sa tak životnosť náradia
- Telo náradia čistite pomocou jemnej kefy alebo suchej handričky
- Nikdy nepoužívajte leptavé látky pre očistenie plastových povrchov. Ak je suché čistenie nedostatočné, použite jemný saponát alebo vlhkú handričku
- Náradie nikdy nesmie prísť do kontaktu s vodou
- Uistite sa, že náradie je dostatočne vysušené pred použitím
- Ak máte k dispozícii stlačený čistý, suchý vzduch, prefúkните ním ventilačné otvory

Premazávanie

- Premazávajúce všetky pohyblivé diely vhodným sprejom v pravidelných intervaloch

Uhlíky

- Po určitom čase môže dôjsť k opotrebovaniu uhlíkov vnútri motora
 - Opatrebovaný uhlík môže spôsobiť stratu výkonu, občasné zlyhanie alebo viditeľné iskrenie
1. Aby ste mohli uhlíky vymeniť, odskrutkujte skrutky pre prístup k uhlíkom (15) a opatrne odstráňte kryt na zadnej strane náradia
 2. Odstráňte malé skrutky (obr. G) a zdvihnite rám, ktorý drží uhlíky, o približne 12 mm (1/2"), elektrický konektor opatrne vyberte (viď. šípka na obr. H)
 3. Prestrčte rámom konektor s viacfarebným medeným drôtom, keď budete opotrebované uhlíky vymenovať

4. Konektor a drôt nového uhlíka prestrčte rámom predtým, než do rámu umiestnite nový uhlík
 5. Pripojte elektrický konektor (obr. H)
 6. Opatrne rám naspäť nasadíte a zaistíte ho skrutkami
 7. Skontrolujte, že rám dobre sedí
 8. Zopakujte kroky 2-7 pre výmenu druhého uhlíka
 9. Znovu prichyťte kryt (5) a zaskrutkujte skrutky krytu uhlíkov; skontrolujte kábel a správnu polohu kolieska voľby rýchlosti (14)
 10. Z náradia odstráňte pilový list a náradie zapojte do siete
 11. Náradie pustite na pomalú rýchlosť a potom rýchlosť zvyšujte, aby ste skontrolovali, že náradie beží, ako má
- Náradie si tiež môžete nechať opraviť v certifikovanom servisnom centre Triton
- DŮLEŽITÉ:** Uhlíky meríte vždy po dvoch.

Skladovanie

Toto elektronáradie skladujte na zabezpečenom suchom mieste mimo dosah detí

Likvidácia

Elektronáradie, ktoré už nefunguje a nie je možné ho opraviť, zlikvidujte v súlade s legislatívou danej krajiny.

- Nevyhadzujte elektronáradie a elektroodpad do domového odpadu
- V prípade otázok kontaktujte príslušný úrad

Záruka

Na registráciu záruky navštívte naše webové stránky www.tritontools.com* a zadajte informácie o výrobku. Vaše údaje budú uložené (pokiaľ túto možnosť nezakážete) a budú vám zasielané novinky. Vaše údaje nebudú poskytnuté žiadnej tretej strane.

Záznam o nákupe

Dátum obstarania: ___/___/___

Model: XXXX

Doklad o kúpe uschovajte ako potvrdenie o zakúpení výrobku.

CE Prehlásenie o zhode

Dolu podpísaný: p. Darrell Morris

splnomocnený: Triton Tools

prehlasuje, že

Toto vyhlásenie bolo vydané na výhradnú zodpovednosť výrobcu.

Predmet tohto vyhlásenia je v súlade s príslušnou harmonizačnou legislatívou Únie.

Výrobok číslo: XXXX

Popis: XXXX

Bol uvedený na trh v súlade so základnými požiadavkami a príslušnými ustanoveniami nasledujúcich smerníc:

- Smernica o bezpečnosti strojných zariadení 2006/42/EC
- Smernica o technických požiadavkách na výrobky z hľadiska nízkeho napätia 2014/35/EC
- Smernica o technických požiadavkách na výrobky z hľadiska ich elektromagnetickej kompatibility 2014/30/EC
- Smernica RoHS 2011/65/EU
- EN 60745-1
- EN 60745-2-4
- EN 55014-1
- EN 55014-2

Pokiaľ sa behom 3-ročnej doby od dňa nákupu objaví porucha výrobku spoločnosti Triton Precision Power Tools, ktorá bola spôsobená chybou materiálu alebo chybným spracovaním, Triton opraví alebo vymení chybný diel zadarmo.

Tato záruka sa nevzťahuje na výrobky, ktoré budú používané na komerčné účely, a ďalej na poškodenie, ktoré je spôsobené neodborným použitím alebo mechanickým poškodením výrobku.

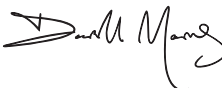
* Registrujte sa behom 30 dní od nákupu. Zmena podmienok vyhradená. Týmto podmienkami nie sú dotknuté vaše zákonné práva. es

Notifikovaná osoba: TÜV Rheinland Co., Ltd.

Technická dokumentácia je uložená u: Triton Tools

Dátum: XX/XX/XXXX

Podpis:



Mr Darrell Morris

Výkonný riaditeľ

Meno a adresa výrobcu:

Powerbox International Limited, Company No. 06897059. Registrovaná

adresa: Powerbox Int. Ltd. Somerset, BA22 8HZ, United Kingdom.

Orijinal talimatların çevirisi

Giriş

Bu TRITON el aletini satın aldığınız için teşekkür ederiz. Bu el kitabında bu ürünün güvenli ve yararlı şekilde kullanmak için gereken bilgiler bulunmaktadır. Bu ürünün kendine özgü özellikleri vardır ve benzer ürünleri yakından tanıyor olsanız bile talimatları tamamen anlayabilmeniz için bu el kitabını dikkatle okumanız gerekir. Bu el aletini kullanan herkesin bu el kitabını okuyup iyice öğrenmesini sağlayınız.

Sembollerin açıklaması

El aletinizdeki konyede semboller bulunabilir. Bunlarda ürün hakkındaki önemli bilgileri veya kullanımı ile ilgili talimatları temsil eder.



Kulak koruyucu kullanın
Göz koruyucu kullanın
Solunum koruyucu kullanın
Kafa koruyucu kullanın



El koruyucu kullanın



Talimat el kitabını okuyun



Dikkat!



Toksik duman veya gazlar



Yağmurda veya ıslak ortamlarda KULLANMAYIN!



Ayar yaparken, aksesuarları değiştirirken, temizlerken, bakım yaparken ve kullanım dışından olduğu zaman daima güç kaynağından ayırın!



UYARI: Hareketli kısımlar ezilmeye ve kesik yaralarına yol açabilir.



Sınıf II yapı (ilave koruma için çift izolasyonlu)



Çevre Koruması
Atık elektrikli ürünler evsel atıklar ile birlikte atılmamalıdır. Tesis bulunan yerlerde geri dönüştürün. Geri dönüştürme tavsiyesi almak için yerel makamlar veya satıcı ile görüşün.



İlgili yönetmeliklere ve güvenlik standartlarına uygundur.

Teknik Kısaltmaların Açıklaması

V	Volt	Hz	Hertz
~, AC	Alternatif akım	==, DC	Doğrudan akım
A, mA	Amper, mili-Amp	W, kW	Watt, kilowatt
n0	No load speed	/dak veya dak ⁻¹	Dakikada işlem sayısı
n	Nominal hız	rpm	Dakikada devir sayısı
opm	Orbits or oscillations per minute	dB(A)	Desibel ses seviyesi (A ağırlıklı)
spm	Dakikada devir sayısı	m/s ²	saniye karede metre (titreşim büyüklüğü)
°	Derece		
Ø	Çap		

Özellik

Voltaç:	230V~, 50 Hz
Güç:	750W
Yüksüz hız:	800-3000 dak ⁻¹
Vuruş:	26 mm
Bıçak montajı:	Süngütlü T bıçak
Verilen bıçaklar:	Ahşap bıçağı: düşük profil, ahşapta eğimli kesimler (doğal ve kompozit ahşap) Ahşap bıçağı: ahşapta düz hızlı kesimler (doğal ve kompozit) ce plastikler Metal bıçak: demir içeren ve içermeyen metaller
Sarkaç:	3 Adımlı:
Kesme açısı aralığı:	0°, 15°, 30° & 45° (sol ve sağ)
Kesme derinliği inç:	
Ahşap:	110 mm
Alüminyum:	25mm
Çelik:	10mm
Boyutlar (U x G x Y):	340 x 85 x 215 mm
Ağırlık:	3,5 kg
Kesintisiz ürün geliştirmemizin bir parçası olarak, Triton ürünlerinin teknik özellikler önceden bildirilmeden değişebilir.	
Ses ve titreşim bilgileri:	
Ses basıncı L _{pa} :	80,9 dB(A)
Ses gücü L _{wa} :	91,9 dB(A)
Belirsizlik K:	3 dB
Genel Ağırlıklı Titreşim:	
Ahşap Kesme:	13,2m/sn ²
Metal Levha Kesim:	13,8m/sn ²
Belirsizlik:	1,5m/sn ²
Operatör ses yoğunluk seviyesi 85 dB(A)'dan yüksek olabilir ve sestten korunma önlemleri zorunludur.	

UYARI: Ses düzeyinin 85dB(A) değerini geçtiği yerlerde daima kulak koruyucu kullanın ve gerekirse maruz kalma süresini sınırlayın. Kulak koruması kullanıldığı zaman bile ses düzeyleri rahatsız edici seviye de aletin kullanımı hemen bırakın ve kulak korumasının doğru takılmasıyla ilgili de aletinizin üreticisi ses düzeyi için doğru miktarda ses zayıflatması sağlayıp sağladığını kontrol edin.

UYARI: Kullanıcının el aletinin titreşimine maruz kalması dokunma duyusunun kaybolmasına, uyuşmaya, karıncalanmaya ve tuma yeteneğinin azalmasına yol açabilir. Uzun süre maruz kalınması kronik bir duruma yol açabilir. Gerekli takdirde, titreşime maruz kalma süresini sınırlayın ve titreşim önleyici eldiven kullanın. Titreşim tarafından daha çok etkilenen için ellerinizin sıcaklığı normal rahat bir sıcaklığın altında olduğu zaman el aleti kullanmayın. Spesifikasyonu titreşim ile ilgili olarak veriliş değerleri kullanarak el aletini çalıştırma süresini ve sıklığını hesaplayın.

Spesifikasyondaki ses ve titreşim düzeyleri EN60745 veya benzer uluslararası standartlara göre belirlenmiştir. Verilen değerler el aletinin normal çalışma koşullarında normal kullanımda temsil etmektedir. İyi bakım yapılmayan, yanlış monte edilmiş veya kötü kullanılan bir el aleti yüksek seviyelerde gürültü ve titreşim üretir. www.osha.europa.eu adresinde, konuların ilgili uzun süreler boyunca el aletleri kullanılarak kişileri yararı olabilecek, iş yerindeki ses ve titreşim seviyeleri hakkında bilgi bulunmaktadı.

Genel Güvenlik

UYARI Tüm güvenlik uyarılarını ve tüm talimatları okuyun. Uyarılara ve talimatlara uyulmaması elektrik çarpmasına, yangına ve/veya ağır yaralanmaya yol açabilir.

UYARI: Fiziksel veya akılsal yetenek eksikliği bulunan (çocuklar dâhil) veya yeterli deneyimi ve bilgisi olmayan kişiler, kendilerinin güvenliğini sorumlu bir kişi tarafından cihazın kullanımını için gözetim ve bilgi sağlanmadığı sürece bu cihazı kullanmamalıdır. Çocukların bu cihaz ile oynamasına dikkat edilmelidir. Tüm uyarıları ve talimatları ileride kullanabilmek için saklayınız.

Uyarılardaki "elektrikli el aleti" terimi elektrik şebekesinden çalışan (kablolu) elektrikli el aleti veya batarya ile çalışan (kablolu) elektrikli el aleti anlamına gelmektedir.

1) Çalışma alanının güvenliği

- Çalışma alanını temiz ve iyice aydınlatılmış halde tutun.** Dağınık veya karanlık yerler kazaları davet eder.
- El aletlerini yanıcı sıvılar, gazlar veya toz içeren ortamlar gibi patlayıcı atmosferlerde çalıştırmayın.** Elektrikli el aletleri tozu ve dumanları tutuşturabilecek kıvılcımlar çıkarır.
- Elektrikli aletleri çalıştırırken çocukları ve izleyicileri uzakta tutun.** Dikkati dağıtan şeyler kontrolü kaybetmenize neden olabilir.

2) Elektrik güvenliği

- Elektrikli el aletlerinin fişleri prize uygun olmalıdır.** Fişi asla hiçbir şekilde değiştirilmezle uğratmayın. Topraklanmış (topraklı) elektrikli el aletleri ile hiçbir adaptör fiş kullanmayın. Değişikliğe uğratılmamış fişler ve fişe uygun prizler elektrik çarpması riskini azaltır.
- Borular, radyatörler, fırınlar ve buzdolapları gibi topraklanmış veya topraklı yüzeylere vücut ile temas etmemek zorundasın.** Vücudunuz topraklandığı zaman elektrik çarpması riskini artırır.
- Elektrikli el aletlerini yağmura veya ıslak koşullara açık bırakmayın.** Elektrikli el aletine su girmesi elektrik çarpması riskini artırır.
- Kablolu veya fişli elektrikli kullanmayın.** Elektrikli el aletini taşımak, fişi takmak veya çıkarmak için asla kablolu kullanmayın. Kablolu ısı, yağ, keskin kenarlar veya hareketli parçalarından uzak tutun. Hasar gören veya düşmüş kablolar elektrik çarpması riskini artırır.
- Elektrikli bir el aletini dış mekânda kullanırken dış mekânda kullanmaya uygun bir uzatma kablosu kullanın.** Dış mekânda kullanıma uygun bir kablo kullanmak elektrik çarpması riskini azaltır.
- Elektrikli bir el aletini nemli bir yerde kullanmak zorunlu ise bir kaçak akım cihazı (RCD) ile korunan bir kaynak kullanın.** RCD kullanmak elektrik çarpması riskini azaltır.
- Avustralya'da veya Yeni Zelanda'da kullanıldığı zaman bu el aletine DA/MA 30 mA veya daha az nominal kaçak akım değerine sahip bir Kaçak Akım Cihazı (RCD) takılması tavsiye edilir.**

3) Kişisel güvenlik

- Elektrikli aletleri çalıştırırken tetikte olun, yaptığınız şeyi dikkat edin ve sadıygunuz kullanın.** Yorgun veya ilaçların, alkolün veya bir tedavinin etkisinde olduğunuz zaman elektrikli alet kullanmayın. Elektrikli alet kullanırken bir anlık dikkatsizlik ağır yaralanmaya yol açabilir.
- Kişisel koruyucu donanım kullanın.** Daima **göz koruyucu giyin.** Gereken koşullar için kullanılan toz maskesi, kaymaz güvenlik pabuçu, baret veya işitme koruyucu gibi koruyucu donanım yararlanmalısınız.
- El aletinin istenmeden çalıştırılmasını önleyin.** Güç kaynağına ve/veya batarya grubuna bağlanmadan önce veya el aletinin topraklı taşımada önce düğmenin kapalı olduğunu kontrol edin. Elektrikli el aletlerinin pannağınız düğmenin üzerinde olacak şekilde taşımak veya aratma üzerinde iken elektrikli el aletlerine enerji vermek kazaları davet eder.
- Elektrikli el aletini çalıştırmadan önce tüm ayarlamaları anahtarları veya kollarını çıkarın.** El aletinin dönen bir kısma takılı olarak bırakılan bir anahtar veya kol yaralanmaya neden olabilir.

- Çok fazla ıleriye uzanmayın.** Desteğinizi ve dengeyi daima uygun şekilde koruyun. Bu, beklenmeyen durumlarda aletin daha iyi kontrol edilmesini sağlar.
- Uygun giysi giyin.** Gevşek giysiler veya takı kullanmayın. Saçınızı, giysinizi ve eldivenlerinizi hareketli parçalarından uzak tutun. Hareketli parçalar, gevşek giysiler, takılar veya uzun saçı yakalayabilir.
- Toz uzaklaştırma ve toplama olanaklarına bağlı olarak cihazın verimliliş ile bunları bağlayıp gereken şekilde kullanmaya dikkat edin.** Toz toplama olanaklarının kullanımını toz ile ilişkili tehlikeleri azaltabilir.
- Elektrikli el aletinin kullanımı ve bakımı**
 - Elektrikli el aletinin zorlamayın.** İşiniz için doğru elektrikli el aletini kullanın. Doğru elektrikli el aleti bir işi daha iyi ve daha güvenli şekilde ve gerçekleştirme için tasarlanmıştır. Hızda yapar.
 - Düğme mekanizmasını el aletini açıp kapatmıyorsanız aleti kullanmayın.** Düğme ile kontrol edilemeyen bir elektrikli el aleti tehlikelidir ve tamir edilmelidir.
 - Elektrikli el aletlerinde ayar yapmadan, aksesuarları değiştirilmeden veya saklamadan önce aletini fişini güç kaynağından ve/veya batarya grubundan çekin.** Bu gibi önleyici güvenlik önlemleri elektrikli el aletinin kazara çalıştırılmasını riskini azaltır.
 - Kullanılmayan elektrikli el aletlerini çocukların ulaşamayacağı bir yerde saklayın ve elektrikli el aletini veya bu talimatları iyice bilmeyen kişilerin aleti kullanmasına izin vermayın.** Elektrikli el aletleri eğitim almamış kullanıcıların elinde tehlikeli olur.
 - Elektrikli el aletlerine bakım yapın.** Hareketli kısımlarda hıza kaçıklığı veya sıkışma, parçaların kırılma ve el aletinin hizasını etkileyebilecek başka bir durum oluşmadığı kontrol edin. El aleti hasar görmüş ise kullanılmadan önce tamir ettirin. Kazaların birçoğuna iyi bakım yapılmayan el aletleri neden olmaktadır.
 - Kesici aletleri keskin ve temiz bulundurun.** Kesici kenarları keskin olan iyi bakım gören kesici aletlerin sıkışma olasılığı daha azdır ve daha kolay kontrol edilir.
 - El aletini, aksesuarlarını ve alet uçlarını vb., çalışma koşullarına ve yapılacak işi dikkate alarak bu talimatları göre kullanın.** El aletinin amaçlanan işlemler dışındaki işler için kullanılması tehlikeli durumlara yol açabilir.
 - Servis**
 - El aletinize yalnızca tamamen aynı yedek parçalar kullanılarak ehliyetli bir tamirci tarafından servis yapılmasına izin verilmelidir.** Bu, el aletinin güvenliğinin sürdürülmesini sağlar.

Dekupaj Testeresi Güvenliği

UYARI: Bir el aletini güç kaynağına bağlamadan önce (elektrik anahtarını güç noktası yuvaya, çıkışı vs), voltaj beslemesinin aletini isim levhasında belirtilenle aynı olduğundan emin olun. El aleti için belirtilen daha yüksek bir voltaja sahip bir güç kaynağı, kullanıcı için ciddi yaralanmalara ve el aletine ciddi hasara neden olabilir. Şüpheleniyorsanız, aleti prize takmayın. İsim levhasındaki derceden daha düşük voltaja sahip bir güç kaynağı kullanmak motora zarar verir.

- Kesme aletinin gizli bir kablo sistemine veya kendi kablosuna dokunabileceği bir işlem gerçekleştirirken elektrikli el aletini yalnızca yalıtımlı kavrama yüzeylerinden tutun.** "Akım" bulunan bir kabloya temas emesi elektrikli aletin metal parçalarının akıma maruz kalmasına neden olabilir ve operatörü elektrik çarparabilir.
- İş parçasının alt kısmına uzanmaya çalışmayın.** Muhafaza sizi iş parçasının altındaki bıçaktan koruyamaz.
- Kesme tekeri olduğunuz parçayı asla ellerinize veya bacaklarınızın arasında tutmayın.** İş parçasını sabit bir platforma sabitleyin. Vücudun maruz kalmasını, bıçak takılması veya kontrol kaybını en aza indirmek için iş parçasını uygun bir şekilde desteklemek önemlidir.

Koruyucu kıyafetler/ekipmanlar ve elektrikli aletlerle ilgili genel sağlık riskleriyle ilgili güvenlik için; bu kılavuzun Genel ve Elektrik Güvenliği bölümlerine bakın

- 18 yaşın altındaki hiç kimsenin bu dekupaj testeresini çalıştırmasına izin vermayın
- Yeterli ışıklandırma olduğundan emin olun
- Halları, kıyafetleri, kablo ve ipler çalışma alanı çevresinde bırakılmamalıdır.
- Bölgede takılı düşmeye neden olacak şeyleri ortadan kaldırın
- İş parçasını inceleyin ve çalışmaya başlamadan önce tüm gömülü nesnelere kaldırın
- Titreşimi önlemek ve iyi bir kesim sağlamak için iş parçasını destekleyin veya kelepçeleysin
- Doğru bıçak türü için bu kılavuzun spesifikasyonlar bölümünü görün. Yanlış bıçaklar doğru bir şekilde sabitlenmeyebilir ve güvenlik açısından risk oluşturabilir.
- Yalnızca iyi durumdaki bıçakları kullanın
- Testereyi çalıştırırken ara vermeniz gerekirse, işlemi tamamlayın ve ara vermeden önce aleti kapatın
- Ellerinizi iş parçasının alt kısmının uzağında tutun
- Kesilen materyal için uygun bir bıçak kullanıldığından emin olun Tüm desteklerin ve güç kablolarının kesme yolunun tamamen dışında olduğundan emin olun

- Muhafazalar varsa, yerlerinde olduklarından emin olun
- Alete baskı uygulamayın. Bıçağın kendi hızında kesmesine izin verin. Bu daha iyi sonuçlar ortaya çıkaracak ve aletin hizmet ömrünü maksimize edecektir.
- Kesimden önce, iş parçasının altında bıçak için yeterli açıklık olup olmadığını kontrol edin
- Her zaman pedal iş parçasına doğru bastırılmış olsun
- Bu kılavuzun spesifikasyonları bölümünde ayrıntılarıyla belirtilenden daha kalın bir materyali kesmeyi asla denemeyin
- Kesim yaparken bıçağı bükülecek veya kıvrılacak şekilde zorlamayın
- Bir kesme işlemi iş parçasının kenarına kadar uzanmıyorsa, iş parçası kaldırmadan önce bıçağın tamamen durması için bekleyin
- Bıçağa yakın olan testere tozunu, talaşını veya atıklarını temizlemek için ellerinizi kullanmayın
- Atığı veya artık kesikleri temizlemek için bıçağa uzanmayın
- Bıçaklar kullanım sırasında ısınıyor. Kullanmadan önce tamamen soğuyana kadar bekleyin.
- Bıçaklar sıkıştırsa, bıçağı serbest bırakmadan önce elektrik kaynağından makinenin bağlantısını kesin.
- Tüm somunları, civataları ve diğer sabitleme parçalarını düzenli olarak kontrol edin ve gerektiğinde sıkın

Kesme aleti güvenliği

UYARI: Bir el aletini güç kaynağına bağlamadan önce (elektrik anahtarı güç noktası yuvası, çıkışı vs), voltaj beslemesinin aletin isim levhasında belirtildiği aynı olduğundan emin olun. El aleti için belirtildiğinden daha yüksek bir voltaja sahip bir güç kaynağı, kullanıcı için ciddi yaralanmalara ve el aletine ciddi hasara neden olabilir. Şüpheye düşerseniz, aleti prize takmayın. İsim levhasındaki dereceden daha düşük voltaja sahip bir güç kaynağı kullanmak motora zarar verir.

Doğru kesme aletini kullanın

- Kesme aletinin işe uygun olduğundan emin olun. Kullanmadan önce ürün literatürünü kontrol etmeden bir aletin uygun olup olmadığına dair tahminde bulunmayın

Gözlerinizi koruyun.

- Kesme aletlerini kullanırken her zaman uygun koruyucu gözlükleri takın
- Gözlükler bu ürünü kullanırken koruma sağlayacak şekilde tasarlanmamışlardır; normal lensler darbelerle dayanamaz ve çatlayabilir

Kulaklarınızı koruyun.

- El aletinin sesi 85 dB'yi geçtiğinde her zaman uygun koruyucu kulaklığı kullanın

Akciğerlerinizi koruyun.

- Kendinizin ve etrafınızdaki diğer kişilerin uygun toz maskeleri giydiğinizden emin olun

Ellerinizi koruyun.

- Ellerinizi kesme tekerleğinin veya bıçaklarının yakınlara gitmesine izin vermeyin. Daha kısa iş parçaları için uygun elektrikli el aletleriyle birlikte uygun bir itme çubuğu kullanın

Etrafınızdaki diğer kişilere dikkat edin

- Çalışma alanına yakın diğer insanların tehlikeli seslere veya toza maruz kalmadığından emin olmak ve uygun koruyucu ekipmana sahip olup olmadıklarından emin olmak kullanıcının sorumluluğundadır.

Gizlenmiş nesnelere

- İş parçasını inceleyin ve kesmeye başlamadan önce tüm gömülü nesnelere dikkat edin
- Makinenizin iş için uygun olduğunu bilmediğiniz sürece, gömülü nesnelere içeren materyalleri kesmeye çalışmayın
- Duvarlar, kablo ve boru sistemlerini, araç gövdesi panelleri yakıt hatlarını ve uzun çimler taşıları ve camı örtüyor olabilir. Devam etmeden önce daima iş alanını ayrıntılı bir şekilde kontrol edin

Fırlayan atıklara dikkat edin

- Bazı durumlarda, atık materyaller, kesme aletinden hızla fırlatılabilir. Çalışma alanındaki diğer insanların atık fırlaması ihtimalinden korunmasını sağlamak kullanıcının sorumluluğundadır.

Kesme aletlerinin takılması

- Kesme aletlerinin doğru ve güvenli bir şekilde takıldığından emin olun ve anahtarları / ayarlayıcıları kullanmadan önce çıkarıldıklarından emin olun
- Yalnızca makineniz için önerilen kesme aletlerini kullanın
- Kesme aletlerini değiştirmeye çalışmayın
- Bıçakların keskin, iyi durumda ve düzgün takıldığından emin olun.

- Bileylemeye uygun olmayan bıçakları bileylemeye çalışmayın, bunların arasında özel olarak sertifikalı bıçaklar veya genelde volfram içeren sertifikalı bıçaklar da vardır
- Bileylenebilir bıçaklar yalnızca üreticinin talimatlarına uygun olarak bileylenebilir. Bu talimatlarda, bıçağın kaç kez bileylenebileceğine dair bir sınırlama yer alabilir
- Bileylenen bıçaklar kullanılmadan önce daha ayrıntılı incelenmelidir ve durumları ve kullanıma uygunlukları hakkında herhangi bir endişe varsa arında değiştirilmelidir.
- Bıçakların kullanım sırasında uygun olmadıkları gömülü bir obje ile karşılaşmaları halinde, bıçaklar hemen değiştirilmelidir

İlerleme yönü

- İş parçasını bıçağa veya kesiciye bıçağın veya kesicinin hareket yönünün tersi yönde ilerletin.

Isıya dikkat edin

- Kesme aletleri ve iş parçaları kullanırken ısınabilir. El aletleri tamamen soğuyana kadar aletleri değiştirmeye çalışmayın

Toz / talaş kontrolü

- Toz veya talaş birikmesine izin vermeyin. Testere tozu yangın tehlikesi barındırır ve bazı metal talaşlarının patlayıcı özelliği olabilir
- Aşşabı ve metal keserken özellikle dikkatli olun. Metal kesme işleminde ortaya çıkan kıvılcıkları aşşab tozu yangınlarının en yaygın nedenlerindendir
- Mümkün olduğunda, daha güvenli bir çalışma ortamı sağlamak için bir toz boşaltma sistemi kullanın

Ürün Tanıtımı

1. Yardımcı Kol
2. Ana Kol
3. Açma/Kapatma Tetik Anahtarı
4. Taban
5. Taban Kapağı
6. Mod Seçici
7. Bıçak Kılavuzu
8. Paralel Kılavuz Yuvası
9. Paralel Kılavuz Kilitleme Topuzu Dışlıleri
10. Bıçak Kılavuzu Çubuğu
11. Kılavuz Bıçak Serbest Bırakma
12. Bıçak Montajı
13. Motor Havalandırma
14. Değişken Hız Kadranı
15. Fırça Erişim Vidası
16. Taban Açısı Kilidi

Aksesuarlar (listelenmemiş):

- TJSBW10 Aşşab Kesme Bıçağı - Eğimli Kesimler
- TJSBW06 Aşşab ve Plastik Kesme Bıçağı
- TJSBM21 Metal Kesme Bıçağı
- Toz Kanalı Adaptörü
- Paralel Kılavuz
- Paralel Kılavuz Topuzları x 2
- İzleme Adaptörü
- Yumuşak Poşet

Kullanım Amacı

Sarkaç hareketli dekapaj testeresi, orta ağırlıkta hassas düz ve biçimli aşşab, plastik ve ince metal levha kesimi içindir (uygun bıçak kullanıldığında) Aynı zamanda, kısa uzunlukta dahi/cep kesme ve düz kenarlı kesimler için Triton izleme sisteme bağlıdır. <Pretty much confirmed with have the track adaptor>

El Aletin Paketten Çıkartılması

- Yeni el aletinizi dikkatle paketinden çıkartın ve inceleyin. Tüm özelliklerini ve işlevlerini öğrenin
- El aletinin tüm parçalarını içinde bulunduğundan ve iyi durumda olduğundan emin olun. Herhangi bir parça eksik veya hasarıysa, bu aleti kullanmaya başlamadan önce bu parçaları değiştirildiğinden emin olun

Kullanım Öncesi

UYARI: Herhangi bir aksesuar takmadan veya değiştirmeden ya da herhangi bir değişiklik yapmadan önce el aletinin elektrik bağlantısının kesildiğinden emin olun.

Bıçak Kılavuzu

- Bıçak Kılavuzu (7) yayıdır. Modül Seçici (6) pozisyonuna bağlı olarak, Bıçak Kılavuzu sabit kalır (sarkaçlı değil) veya leri geri sarkaç hareketi yaparak bıçağın sarkaç hareketiyle kesmesini sağlar.

Sarkaç ayarı

Sarkaç modları hafif kıvrımlı sarkaçlı kesim oluşturarak materyal kesimini daha verimli hale getirir. Bu daha kalın iş parçalarında daha iyi kesim sağlar ve kesim aşamalarında bıçakla iş parçası arasındaki daha az mesafe bırakarak motorun ve bıçağın daha az stres altında olmasına imkân verir.

Mod Seçici (6) 4 pozisyonunda bulunur:

- Pozisyon "0", sarkaç hareketi olmaksızın normal kesimi seçer
- 1, 2 ve 3 numaralı pozisyonlar sarkaç hareketi içerir. Bu, bıçağın kesim yaparken hafif bir leri geri hareket gerçekleştirmesine neden olur, kesme verimliliğini artırır.
- Pozisyon 1, minimum sarkaç hareketini sağlar; pozisyon 3 maksimum sarkaç hareketini sağlar.
- İş parçası için uygun değerlerdeki sarkaç hareketi ayarını belirlemek için bir parça iskarta materyal kullanın

ÖNEMLİ: Dekupaj testeresi kullanımdayken sarkaç modunu değiştirmeyin.

Pah kesme için tabanı ayarlamak

Taban (4), hem sağda hem de solda, (15°, 30° ve 45°) 3 çikintili aç pozisyonuna sahiptir (Resim E):

- Dekupaj testeresini ters çevirin ve Taban Açısı Kilidini (16) kolu dışarı çekerek açın (Resim D)
- Tabanı istenen konuma ayarlayın (Resim F)
- Taban Açısı Kilidini tekrar sıkın

Not: Kesin bir çalışma için, iskarta materyalde bir deneme kesimi yapın; kesimi kontrol edin ve doğru ayar elde edilene kadar gerektiğinde düzeltin.

Not: Çikintili pozisyonlar dışında Taban için bir aç oluşturmak istiyorsanız, tamamen sürünme/gerilime dayanır ve Tabanın çalışma sırasında hareket etme riski vardır. Taban sabitleme civatasının dikkatli bir şekilde ayarlanması (Resim I) gerekebilir.

Toz kanalı adaptörü

Bu aletin daha temiz ve güvenli bir çalışma ortamı için toz boşaltma sistemiyle birlikte kullanılmasını önerilir. İş parçasının ne kadar toksik olduğunun bilinmediği durumlarda, örn. boya veya bilinmeyen aşşap işleme solüsyonları içeren daha eski yüzey kaplamalarında bu özellikle önemlidir.

Toz Kanalı Adaptörü (Resim N) tabanın arkasına takılıdır ve alet kullanılmadıkça tozu temizlemek için alete toz boşaltma sisteminin ya da elektrikli süpürgeğin bağlanmasına imkân sağlar.

UYARI: Metal levhaların kesilmesiyle oluşan sıcak metal talaş, toz boşaltma sistemi torbasında veya kutusunda toplanan artık aşşap tozunun ateş almasına neden olabilir. Böyle durumlarda, risk ortadan kaldırılana kadar toz boşaltma işlemi önerilmez.

Bıçak değişimi

- Aleti ters çevirin, böylece dekapaj testeresi bıçağına ulaşabilirsiniz
- Kılavuz Bıçak Serbest Bırakmayı (11) dışarı çekin e bıçağı çıkartıp değiştirin (Resim C)
- Kılavuz Bıçağı Serbest Bırakmanın normal pozisyonuna dönmesine izin verin
- Bıçağın doğru bir şekilde takılıp takılmadığını ve Bıçak Kılavuzuyla aynı hizada olup olmadığını kontrol edin (7)

Not: Bıçak zor açılıyorsa, bıçağın uzuna hafifçe bir aşşap tokmak veya benzeriyle vurun. Bu yerinden çıkarılması için bıçağı serbest bırakacaktır.

Taban Kapağını Yerleştirmek

Dekupaj testeresi, çizmeleri ve birçok yüzeye hasar vermesini önleyen genel amaçlı Taban Kapağı (5) ile birlikte tedarik edilir. Diğer yüzeylere yönelik Taban Kapağını için Triton bayinizle iletişime geçin.

- Taban Kapağını kaldırmak için, Tabanın arkasındaki mandalı açın ve Tabanın önünden çıkartın (Resim J)
- Bir Taban Kapağını takmak için, Tabanın ön kısmının mandalını takın ve sonra Tabanın arka kısmının takmak için mandalını takın.

İz Adaptörünün Takılması

İz Adaptörü, kısa dâhilî/cep kesimleri ve düz kenarlı kesme işlemleri için Triton izleme sistemi kullanılarak kolay ve doğru bir paralel kılavuz kullanımı sağlar.

- İz Adaptörü çıplak tabana (4), Taban Kapağı (5) takılı olmaksızın oturun.
- Çıplak Tabanın ön kısmını İz Adaptörüne yerleştirin sonra da Tabanın arka kısmına yerleştirin.
- İz Adaptörü (Resim P) gösterildiği üzere Triton izleme üzerine yerleşerek doğru ve kolay düz bir kesim sağlar

Paralel Kılavuzun Takılması

Paralel Kılavuz, iş parçasının kenarında veya diğer paralel kenarda durur ve iş parçasında düz bir paralel kesim yapılmasına imkân sağlar.

- 2 Paralel Kılavuz Topuzunu paralel Kılavuz Kitlieme Topuzu Dişilerine (9) takın ama sıkmayın.
- Paralel Kılavuz, Paralel Kılavuz kenar levhasının aşağı doğru baktığından emin olacak şekilde, kesim için gereken taraftaki Paralel Kılavuz Yuvasına (8) sokun (Resim O)
- Kılavuzdaki kademeleri veya başka bir ölçüm cihazını kullanarak gerekli uzunluğu ayarlayın
- Paralel Kılavuz Topuzlarını sıkarak Paralel Kılavuz kullanıma hazır olacak şekilde sabitleyin

Çalıştırma

UYARI: Bu el aleti ile çalışırken HER ZAMAN göz koruması, yeterli solunum ünitesi ve duyma koruması ve aynı zamanda uygun eldivenler kullanın.

Kesme hızının ayarlanması

Aletin hızı, kullanım öncesinde belirlenebilir, aynı zamanda kullanım sırasında da aletin arkasındaki Değişken Hız Kadranı (14) kullanılarak ayarlanabilir. Hızın önceden ayarlanması, operatörün Yardımcı Kol (1) ve Ana Kol (2) olmak üzere iki büyük kolu kullanarak alet güvenliğine yoğunlaşmasına imkân verir. Bıçak hızı kesilen materyale göre ayarlanabilir. Bu kesme performansını artırır ve bıçağın erken yıpranmasını önler.

- Bıçak hızını ayarlamak için Değişken Hız Kadranını (14) kullanın

Kapatma ve Açma

- Aleti elektrik prizine takın
- Açma/Kapatma Düğmesine (3) aleti açın ve pozisyonuna sabitlemek için ön tarafına bastırın (Resim A ve B)
- Açma/Kapatma Düğmesinin arkasına bastırıldığında yaylı anahtar doğrudan durdurma pozisyonuna geçer

Kesim yapma

- UYARI:** Parmagınızın kullandığınız bıçağın dişlerine dokunmasını önlemek için Kılavuz Bıçağı Serbest Bırakma (11) kılavuz penceresinin ve Bıçak Kılavuz Çubuğunun (10) iyi durumda olduğundan ve doğru yerleştirildiğinden emin olun.
- Tabanın (4) ön kısmını iş parçasının kenarına yerleştirin (Resim M) ve testere ile kesmeye başlayın
- İş parçasına dokunmadan önce bıçağın tam hıza ulaşmasına imkân verin
- Her iki elinizi de kullanarak dekapaj testeresini yavaşça ilerletmeye doğru yönlendirin, Tabanı iş parçasının karşısına tutun.
- Testereyi zorlamayın: bırakın iş bıçak ve testere yapсын. Yalnızca bıçağın kesmeye devam etmesine yeterli baskı kullanın.

Çep ve dairesel kesim

- Bir iş parçasının iç kısmında kesime başladığınızda, bıçak için açıklık bırakıldığından emin olmak için kesimin atılacak kısmında 12 mm çapında bir delik açın
- Sık kıvrımları keserken, testere hızını azaltın (Resim K)

UYARI: Testere tamamen materyale girene ve pedal yüzeyine yerleşene kadar testereyi hareket ettirmeyin.

Paralel kılavuz kullanmak

- Dekupaj testeresini düz bir çizgi boyunca ilerletmek için iş parçasının kenarında yer alabilecek Paralel Kılavuz veya iş parçasına kısıklanmış düz bir kereste parçası kullanın
- Tek parça bir materyalden biden fazla şerit esmeniz gerektiğinde, perde özellikle önemlidir

Kesme metali

- Metalleri keserken, uygun bir soğutma/kesme yağı kullanılmıdır
- Bıçaktaki aşınmayı azaltmak için kesim sırasında düzenli aralıklarla bıçaka veya iş parçasına düzenli aralıklarla yağ uygulayın.

Aksesuarlar

- Dekupaj testereniz için, farklı materyallere ve kesimlere yönelik aksesuarları Triton bayinizde bulabilirsiniz. Yedek parçalar toolspareonline.com adresinden edinilebilir

Bakım

UYARI: Herhangi bir muayene, temizleme veya bakım yapmadan önce elektrik fişini HER ZAMAN çekin.

Genel Muayene

- Tüm sabitleme vidalarının sıkışmış olup olmadığını düzenli olarak kontrol edin.
- Aletin elektrik kablosunu her kullanımdan önce hasar veya aşınmaya karşı denetleyin. Onarım işlemleri yetkili bir servis merkezi tarafından gerçekleştirilmelidir. Bu tavsiye aletle birlikte kullanılan uzatma kabloları için geçerlidir

Temizleme

- UYARI:** Bu aleti temizlerken DAİMA göz koruması ve eldivenleri de içeren koruyucu ekipman giyin.
- El aletinizi daima temiz tutun. Kir ve toz iç parçaların çabucak aşınmasına ve aletin kullanım ömrünü azaltmaya neden olur.
 - Makinenizin gövdesini yumuşak bir fırçayla veya kuru bir bezle temizleyin
 - Plastik parçaları temizlemek için asla yakıcı ajanlar kullanmayın. Kuru temizleme yeterli olmazsa, hafif deterjanlı nemli bir bez önerilir
 - Alet asla suyla temas etmemelidir.
 - Aleti kullanmadan önce iyice kurutulduğundan emin olun.
 - Mümkünse, havalandırma deliklerinden (varsa) üfürmek için temiz, kuru ve basınçlı hava kullanın

Yağlama

- Uygun bir spreyci yağ ile tüm parçaları düzenli aralıklarla yağlayın

Fırçalar

- Zaman içinde motorun içindeki karbon fırçaları aşınabilir
 - Aşırı derecede aşınmış fırçalar güç kaybına, geçici iş görmezliğe veya gözle görünür kıvılcımlanmaya neden olabilir
1. Karbon fırçaları değiştirmek için Fırça Erişim Vidasını (15) kaldırın ve aletin arka kısmındaki kapağı dikkatlice çekin
 2. Küçük vidayı çıkartın (Resim g) ve karbon fırçasını yaklaşık 12 mm (1/2") yukarıda tutan çerçeveyi kaldırın, sonra dikkatli bir şekilde elektrikli konektörü çıkartın (Resim H'de yokla gösterilen)
 3. Eski karbon fırçayı kaldırırken konektörü, çok telli bakır kablo ile çerçevenin içinden itin.
 4. Konektörü takın ve yeni fırçanın kablosunu yeni karbon fırçasını çerçeveye yerleştirmeden önce çerçevenin içinden geçirin
 5. Elektrikli konektörü bağlayın (Resim H)
 6. Çerçeveyi girintiye dikkatli bir şekilde yerleştirin ve vidayı sabitleyin
 7. Şasenin doğru monte edildiğiniz gözünüzle kontrol edin
 8. Karbon fırçadaki 2-7 arası adımları tekrarlayın.
 9. Taban Kapağını (5) ve Fırça Erişim Vidasını tekrar takın, elektrik kablosunun sıkışmadığından ve Değişken Hız Kadranının (14) ayarlandığından emin olun
 10. Alettteki tüm bıçakları çıkartın ve şebeke elektrigiğine bağlayın
 11. İlk başta aleti düşük hızda çalıştırın ve hızını sonradan artırarak aletin doğru çalıştığından emin olun
- Alternatif olarak, aletinizin bir Trion servis merkezinde bakımının yapılmasını sağlayabilirsiniz
- ÖNEMLİ:** Karbon fırçaları her zaman çiftler halinde değiştirin.

Saklama

- Bu el aletini güvenli, kuru ve çocukların ulaşamayacağı bir yerde dikkatlice saklayın

İmha

Artık kullanılmayan ve onarılamayan elektrikli aletleri imha ederken ulusal düzenlemeleri her zaman dikkate alın.

- Elektrikli aletleri veya diğer atık elektrikli veya elektronik ekipmanları (WEEE) evsel atıklarla imha etmeyin
- Elektrikli aletleri imha etmenin doğru yöntemi için yerel atık imha otoritelerle iletişime geçin

Garanti

Garantinizi tescil ettirmek için www.tritontools.com adresindeki web sitemizi ziyaret ederek bilgilerinizi giriniz *.

Size ait bilgiler ilerideki yayımlar hakkında bilgi vermek üzere posta listemize dâhil edilecektir (aksi belirtilmediği takdirde). Verilen bilgiler hiç bir üçüncü tarafa iletilmeyecektir.

Satin alma kayıtları

Satin Alma Tarihi: ___ / ___ / ___

Model: XXXX Makbuzunuzu satın alma kanıtı olarak saklayınız

AB Uygunluk Beyanı

Aşağıda imzası bulunan: Bay Darrell Morris

Yetki veren: Triton Tools

Beyan eder ki

Bu beyan, tamamen üreticinin sorumluluğunda yayınlanmıştır.

Beyanın konusu, ilgili Birlik uyum Düzenlemesine uygundur.

Tanımlama kodu: XXXX

Açıklama: XXXX

Aşağıdaki direktiflere ve standartlara uygundur:

- Makine Direktifi 2006/42/EC
- Alçak Voltaj Direktifi 2014/35/EC
- EMC Direktifi 2014/30/EC
- RoHS Direktifi 2011/65/EU

- EN 60745-1
- EN 60745-2-4
- EN 55014-1
- EN 55014-2
- EN 61000-3-2
- EN 61000-3-3
- EN 62321

Triton Precision Power Tools, ilk satın alma tarihinden itibaren 3 YIL süre içinde hatalı malzemeler veya işçilik yüzünden herhangi bir parçanın kusurlu çıkması durumunda Triton'un hatalı parçayı ücretsiz olarak tamir edeceğini veya kendi takdirine göre değiştireceğini bu ürünü satın alan kişiye garanti eder.

Bu garanti ticari kullanım için geçerli olmadığı gibi normal aşınmayı ve yıpranmayı veya kaza, kötüye kullanma veya yanlış kullanma yüzünden oluşan hasarı içermez.

* 30 gün içinde çevirim içi olarak tescil yaptırın.

Kurallar ve koşullar geçerlidir.

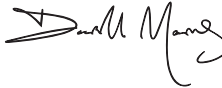
Bunlar sizin yasal haklarınızı etkilemez

Onaylanmış kuruluş: TÜV Rheinland Co., Ltd.

Teknik dokümanları muhafaza eden: Triton Tools

Tarih: XXXXXXXX

İmza:



Bay Darrell Morris

Sorumlu Müdür

Üreticinin adı ve adresi:

Powerbox International Limited, Şirket No. 06897059. Tescilli adres:

Powerbox Int. Ltd. Somerset, BA22 8HZ, Birleşik Krallık.

