

## GB Operating & Safety Instructions

**NL** Bedienings- en veiligheidsvoorschriften

**FR** Instructions d'utilisation et consignes de sécurité

**DE** Sicherheits- und Bedienungsanleitung

**IT** Istruzioni per l'uso e la sicurezza

**ES** Instrucciones de uso y de seguridad

**PT** Instruções de Operação e Segurança

**PL** Instrukcja obsługi i bezpieczeństwa

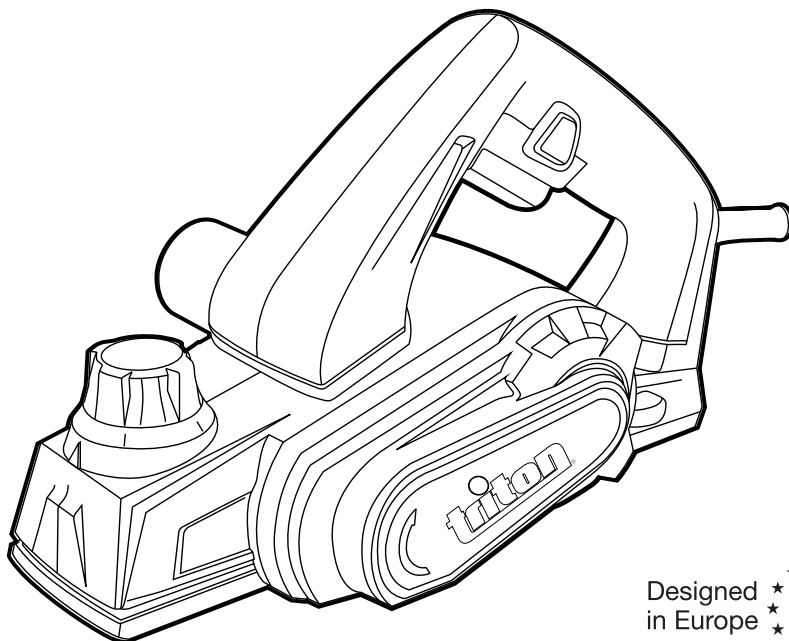
**RU** Инструкции по эксплуатации и правила техники безопасности

**HU** Kezelési és biztonsági utasítások

**CZ** Provozní a bezpečnostní pokyny

**SK** Prevádzkové a bezpečnostné pokyny

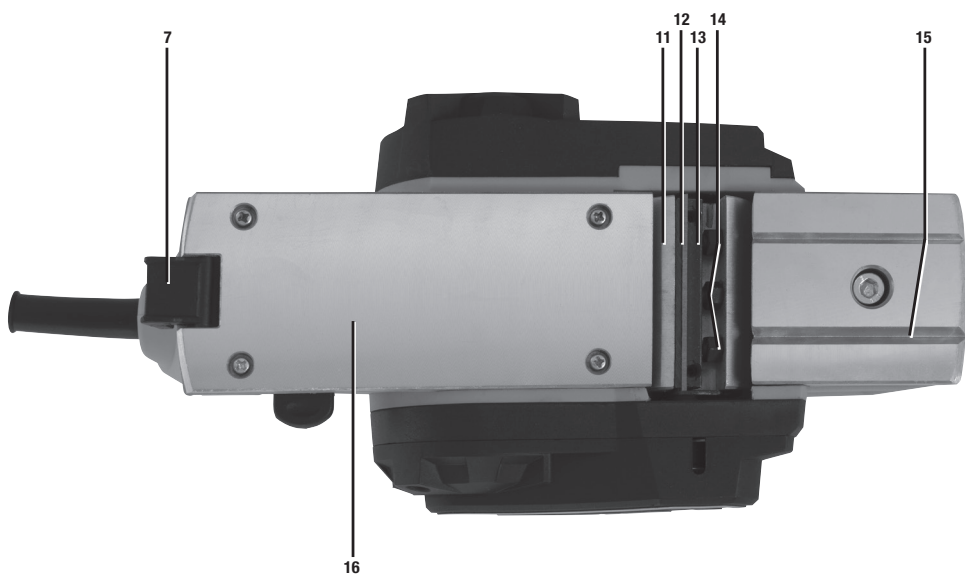
**TR** Çalışma ve Güvenlik Talimatları



Version date: 06.07.17

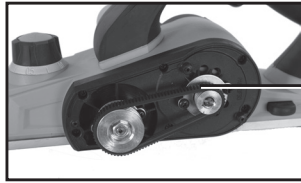
Designed in Europe 





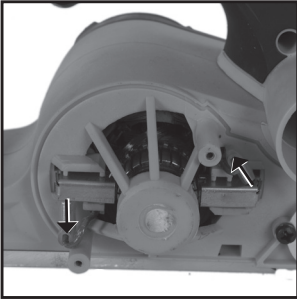


17

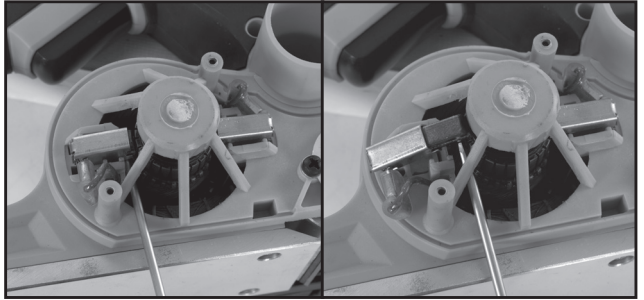


18

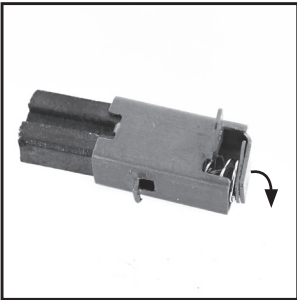
A



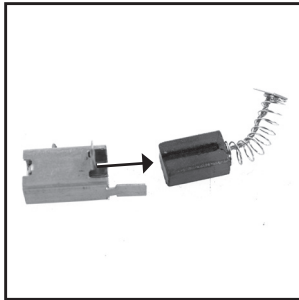
B



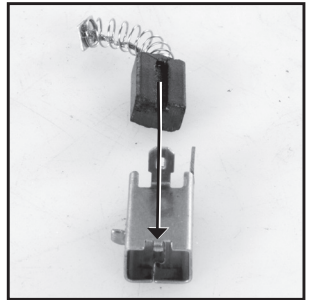
C



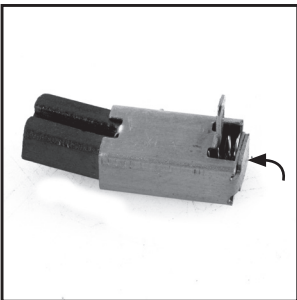
D



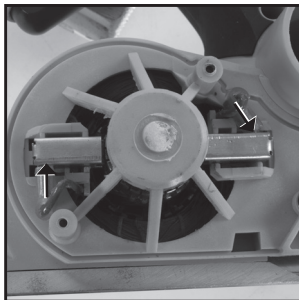
E



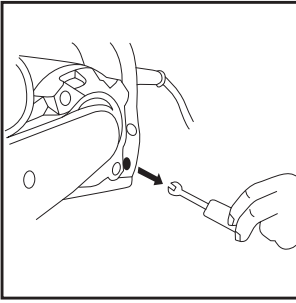
F



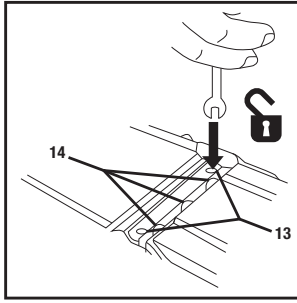
G



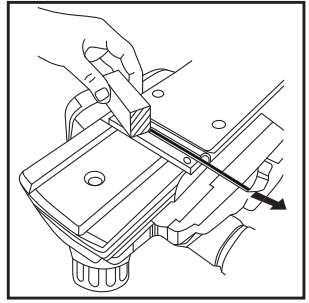
**Fig. I**



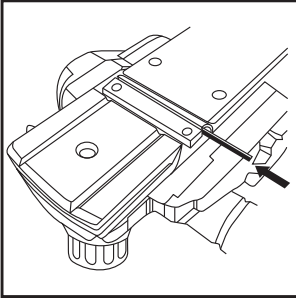
**Fig. II**



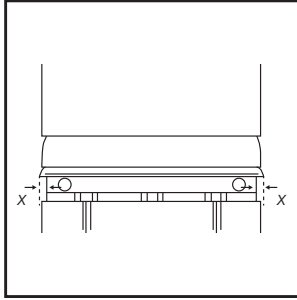
**Fig. III**



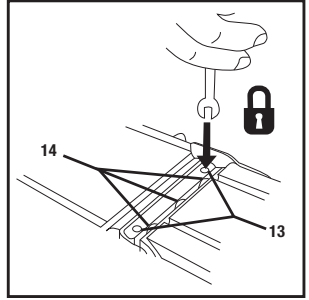
**Fig. IV**



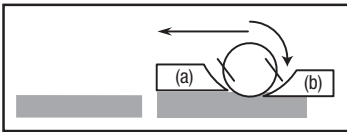
**Fig. V**



**Fig. VI**



**Fig. VII**



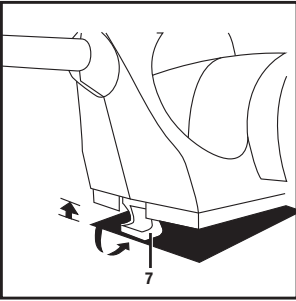
**Fig. VIII**



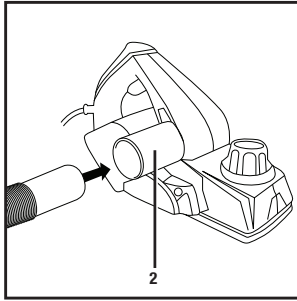
**Fig. IX**



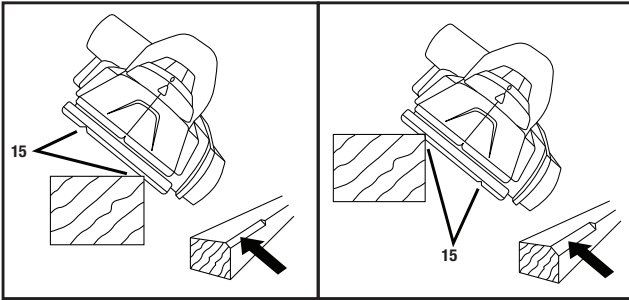
**Fig. X**



**Fig. XI**



**Fig. XII**



# Original Instructions

## Introduction

Thank you for purchasing this Triton tool. This manual contains information necessary for safe and effective operation of this product. This product has unique features and, even if you are familiar with similar products, it is necessary to read this manual carefully to ensure you fully understand the instructions. Ensure all users of the tool read and fully understand this manual.

## Description of Symbols

The rating plate on your tool may show symbols. These represent important information about the product or instructions on its use.



Wear hearing protection  
Wear eye protection  
Wear breathing protection  
Wear head protection



Wear hand protection



Read instruction manual



Caution!



**WARNING:** Moving parts can cause crush and cut injuries



**WARNING:** Sharp blades or teeth!



Do not touch the blades before the machine is disconnected from the supply and the blades have come to a complete stop



Toxic fumes or gases!



Always disconnect from the power supply when adjusting, changing accessories, cleaning, carrying out maintenance and when not in use!



Indoors use only



Class II construction (double insulated for additional protection)



Internal time-lag fuse with rated current 3.15A



Conforms to relevant legislation and safety standards



### Environmental Protection

Waste electrical products should not be disposed of with household waste. Please recycle where facilities exist. Check with your local authority or retailer for recycling advice

## Technical Abbreviations Key

V	Volts
~, AC	Alternating current
A, mA	Ampere
$n_0$	No load speed
n	Rated speed
opm	Orbits or oscillations per minute
°	Degrees
Hz	Hertz
≡, DC	Direct current
W, kW	Watt, kilowatt
/min or min <sup>-1</sup>	Operations per minute
rpm	Revolutions per minute
dB(A)	Decibel sound level (A weighted)
m/s <sup>2</sup>	Metres per second squared (vibration magnitude)
Ø	Diameter

## Specification

Model number	TMNPL
Input voltage	220–240V – 50/60Hz
Power	450W
Ingress Protection	IP20
No load speed	16,000rpm
Cuts per minute	32,000cpm
Blades	2 reversible blades 60mm standard
Planing width	60mm
Depth of cut range	0–1.5mm
Rebate depth	8mm
Left or right chip exit	Right
Bevelling V-grooves	2
Parking stand	Automatic
Power cord length	3m
Dimensions (L x W x H)	290 x 130 x 150mm
Weight	2.3kg

### Sound and vibration information

Sound pressure $L_{pa}$	84.7dB(A)
Sound power $L_{wa}$	95.7dB(A)
Uncertainty K	3dB(A)
Weighted vibration $a_h$ (main handle)	2.256m/s <sup>2</sup>
Weighted vibration $a_h$ (auxiliary handle)	3.375m/s <sup>2</sup>
Uncertainty K	1.5m/s <sup>2</sup>

The sound intensity level for the operator may exceed 85dB(A) and sound protection measures are necessary.

As part of our ongoing development, specifications of TRITON products may alter without notice.

**WARNING:** Always wear ear protection where the sound level exceeds 85dB(A) and limit the time of exposure if necessary. If sound levels are uncomfortable, even with ear protection, stop using the tool immediately and check the ear protection is correctly fitted and provides the correct level of sound attenuation for the level of sound produced by your tool.

**WARNING:** User exposure to tool vibration can result in loss of sense of touch, numbness, tingling and reduced ability to grip. Long-term exposure can lead to a chronic condition. If necessary, limit the length of time exposed to vibration and use anti-vibration gloves. Do not operate the tool with hands below a normal comfortable temperature, as vibration will have a greater effect. Use the figures provided in the specification relating to vibration to calculate the duration and frequency of operating the tool.

Sound and vibration levels in the specification are determined according to international standards. The figures represent normal use for the tool in normal working conditions. A poorly maintained, incorrectly assembled, or misused tool, may produce increased levels of noise and vibration. [www.osha.europa.eu](http://www.osha.europa.eu) provides information on sound and vibration levels in the workplace that may be useful to domestic users who use tools for long periods of time.

## General Power Tool Safety Warnings

**WARNING:** Read all safety warnings, instructions, illustrations and specifications provided with this power tool. Failure to follow all instructions listed below may result in electric shock, fire and/or serious injury.

Save all warnings and instructions for future reference.

The term "power tool" in the warnings refers to your mains-operated (corded) power tool or battery-operated (cordless) power tool.

### 1) Work area safety

- a) Keep work area clean and well lit. Cluttered or dark areas invite accidents.
- b) Do not operate power tools in explosive atmospheres, such as in the presence of flammable liquids, gases or dust. Power tools create sparks which may ignite the dust or fumes.
- c) Keep children and bystanders away while operating a power tool. Distractions can cause you to lose control.

### 2) Electrical safety

- a) Power tool plugs must match the outlet. Never modify the plug in any way. Do not use any adapter plugs with earthed (grounded) power tools. Unmodified plugs and matching outlets will reduce risk of electric shock.
- b) Avoid body contact with earthed or grounded surfaces, such as pipes, radiators, ranges and refrigerators. There is an increased risk of electric shock if your body is earthed or grounded.
- c) Do not expose power tools to rain or wet conditions. Water entering a power tool will increase the risk of electric shock.
- d) Do not abuse the cord. Never use the cord for carrying, pulling or unplugging the power tool. Keep cord away from heat, oil, sharp edges or moving parts. Damaged or entangled cords increase the risk of electric shock.
- e) When operating a power tool outdoors, use an extension cord suitable for outdoor use. Use of a cord suitable for outdoor use reduces the risk of electric shock.
- f) If operating a power tool in a damp location is unavoidable, use a residual current device (RCD) protected supply. Use of an RCD reduces the risk of electric shock.

### 3) Personal safety

- a) Stay alert, watch what you are doing and use common sense when operating a power tool. Do not use a power tool while you are tired or under the influence of drugs, alcohol or medication. A moment of inattention while operating power tools may result in serious personal injury.
- b) Use personal protective equipment. Always wear eye protection. Protective equipment such as a dust mask, non-skid safety shoes, hard hat or hearing protection used for appropriate conditions will reduce personal injuries.
- c) Prevent unintentional starting. Ensure the switch is in the OFF-position before connecting to power source and/or battery pack, picking up or carrying the tool. Carrying power tools with your finger on the switch or energising power tools that have the switch ON invites accidents.
- d) Remove any adjusting key or wrench before turning the power tool ON. A wrench or a key left attached to a rotating part of the power tool may result in personal injury.
- e) Do not overreach. Keep proper footing and balance at all times. This enables better control of the power tool in unexpected situations.
- f) Dress properly. Do not wear loose clothing or jewellery. Keep your hair and clothing away from moving parts. Loose clothes, jewellery or long hair can be caught in moving parts.
- g) If devices are provided for the connection of dust extraction and collection facilities, ensure these are connected and properly used. Use of dust collection can reduce dust-related hazards.
- h) Do not let familiarity gained from frequent use of tools allow you to become complacent and ignore tool safety principles. A careless action can cause severe injury within a fraction of a second.
- 4) Power tool use and care
- a) Do not force the power tool. Use the correct power tool for your application. The correct power tool will do the job better and safer at the rate for which it was designed.
- b) Do not use the power tool if the switch does not turn it ON and OFF. Any power tool that cannot be controlled with the switch is dangerous and must be repaired.

- c) Disconnect the plug from the power source and/or remove the battery pack, if detachable, from the power tool before making any adjustments, changing accessories, or storing power tools. Such preventive safety measures reduce the risk of starting the power tool accidentally.
- d) Store idle power tools out of the reach of children and do not allow persons unfamiliar with the power tool or these instructions to operate the power tool. Power tools are dangerous in the hands of untrained users.
- e) Maintain power tools and accessories. Check for misalignment or binding of moving parts, breakage of parts and any other condition that may affect the power tool's operation. If damaged, have the power tool repaired before use. Many accidents are caused by poorly maintained power tools.
- f) Keep cutting tools sharp and clean. Properly maintained cutting tools with sharp cutting edges are less likely to bind and are easier to control.
- g) Use the power tool, accessories and tool bits, etc. in accordance with these instructions, taking into account the working conditions and the work to be performed. Use of the power tool for operations different from those intended could result in a hazardous situation.
- h) Keep handles and grasping surfaces dry, clean and free from oil and grease. Slippery handles and grasping surfaces do not allow for safe handling and control of the tool in unexpected situations.
- 5) Service
- a) Have your power tool serviced by a qualified repair person using only identical replacement parts. This will ensure that the safety of the power tool is maintained.

## Additional Safety for Electric Planers

### WARNING!

- Wait for the cutter to stop before setting the tool down. An exposed rotating cutter may engage the surface leading to possible loss of control and serious injury.
- Hold the power tool by insulated gripping surfaces only, because the cutter may contact its own cord. Cutting a 'live' wire may make exposed metal parts of the power tool 'live' and could give the operator an electric shock.
- Use clamps or another practical way to secure and support the workpiece to a stable platform. Holding the work by your hand or against the body leaves it unstable and may lead to loss of control.
- If the replacement of the supply cord is necessary, this has to be done by the manufacturer or their agent in order to avoid a safety hazard.
- It is strongly recommended that the tool always be supplied via a residual current device with a rated residual current of 30mA or less.



- Use appropriate respiratory protection: Use of this tool can generate dust containing chemicals known to cause cancer, birth defects or other reproductive harm. Some wood contains preservatives such as copper chromate arsenate (CCA) which can be toxic. When sanding, drilling, or cutting these materials extra care should be taken to avoid inhalation and minimise skin contact.

### IMPORTANT

- Use suitable detectors to determine if utility lines are hidden in the work area or call the local utility company for assistance. Contact with electric lines can lead to fire and electric shock. Damaging a gas line can lead to explosion. Penetrating a water line causes property damage or may cause an electric shock.
- Do not reach into the chip ejector with your hands. They could be injured by rotating parts.
- A dust mask and dust extraction system are strongly recommended during usage to protect the operator against dust. Electric planers generate a large quantity of dust and some materials will produce toxic dust.
- Use only sharp blades. Handle the blades very carefully.
- a) Check voltage of the tool rating label matches the voltage of the mains supply
- b) Ensure all nails, screws, etc., are removed from the workpiece before commencing the task. Otherwise, damage to the blade or planer could occur, causing a safety hazard
- c) Ensure all cloth, cord, rags, string and similar items are removed from the work area. To prevent entanglement in the planer mechanism
- d) Ensure that the blade installation bolts are securely tightened before operation
- e) Before using the planer on a workpiece, switch ON and allow it to run for a while. Check for vibration or wobbling that could indicate a badly installed, or a poorly balanced blade
- f) Allow the machine to reach full speed before making contact with the workpiece and starting cutting
- g) Operate the planer only when controlled by both hands and is correctly held before switching ON
- h) Ensure the planer is at least 200mm away from your face and body
- i) Wait until the blades reach full speed before cutting
- j) Shavings may jam in the chute when cutting damp wood. Switch OFF, disconnect from the power supply and clean out the chips with a stick. Never put your finger into the chip chute

- k) **ALWAYS switch OFF and allow the blades to come to a complete standstill before attempting any adjustments, cleaning or carrying out maintenance**
- l) **ALWAYS disconnect from the power supply when leaving the machine unattended**
- m) **When not in use, disconnect from the power source and place the front base on a wooden block so that the blades are not in contact with anything**
- n) **Replace all blades at the same time. Otherwise, the resulting imbalance will cause vibration and shorten the service life of the planer and blades**

## Cutting Tool Safety

**WARNING:** Before connecting a tool to a power source (mains switch power point receptacle, outlet, etc.) be sure that the voltage supply is the same as that specified on the nameplate of the tool. A power source with a voltage greater than that specified for the tool can result in serious injury to the user, and damage to the tool. If in doubt, do not plug in the tool. Using a power source with a voltage less than the nameplate rating is harmful to the motor.

### Use the correct cutting tool

- Ensure the cutting tool is suitable for the job. Do not assume a tool is suitable without checking the product literature before use

### Protect your eyes

- Always wear appropriate eye protection when using cutting tools
- Spectacles are not designed to offer any protection when using this product; normal lenses are not impact resistant and could shatter

### Protect your hearing

- Always wear suitable hearing protection when tool noise exceeds 85dB

### Protect your breathing

- Ensure that you and others around you wear suitable dust masks

### Protect your hands

- Do not allow hands to get close to the cutting wheel or blades. Use a suitable push stick for shorter workpieces with appropriate power tools

### Be aware of others around you

- It is the responsibility of the user to ensure that other people in the vicinity of the work area are not exposed to dangerous noise or dust and are also provided with suitable protective equipment

### Hidden objects

- Inspect the workpiece and remove all nails and other embedded objects before cutting
- Do not attempt to cut material that contains embedded objects unless you know that the cutting tool fitted to your machine is suitable for the job
- Walls may conceal wiring and piping, car body panels may conceal fuel lines, and long grass may conceal stones and glass. Always check the work area thoroughly before proceeding

### Beware of projected waste

- In some situations, waste material may be projected at speed from the cutting tool. It is the user's responsibility to ensure that other people in the work area are protected from the possibility of projected waste

### Fitting cutting tools

- Ensure cutting tools are correctly and securely fitted and check that wrenches/adjusters are removed prior to use
- Only use cutting tools recommended for your tool
- Do not attempt to modify cutting tools
- Ensure blades are sharp, in good condition and correctly fitted
- Do not attempt to re-sharpen blades that are not suitable for re-sharpening. These may include specially hardened blades or blades made from hardened alloys typically containing tungsten
- Blades that can be re-sharpened should be re-sharpened only according to the blade manufacturer's instructions. These may include a limited number of times the blade can be re-sharpened
- Sharpened blades should be more thoroughly inspected before use and replaced immediately if there is any doubt about their condition and suitability for use
- In the event blades encounter an embedded object in use that the blades are not suitable for, blades should be replaced immediately

### Direction of feed

- Always feed work into the blade or cutter against the direction of movement of the blade or cutter

## Beware of heat

- Cutting tools and workpieces may become hot in use. Do not attempt to change tools until they have been allowed to cool completely

## Control dust/swarf

- Do not allow dust or swarf to build up. Sawdust is a fire hazard, and some metal swarf is explosive
- Be especially careful when cutting wood and metal. Sparks from metal cutting are a common cause of wood dust fires
- Where possible, use a dust extraction system to ensure a safer working environment

## Product Familiarisation

1. Depth Adjustment Dial
2. Dust/Chip Extraction Port
3. ON/OFF Trigger Switch
4. Lock-Off Button
5. Handle
6. Power Cord
7. Rear Parking Rest
8. Spanner
9. Drive Belt Cover
10. Brush Access Cover
11. Blade Drum
12. Blade
13. Blade Clamp
14. Blade Clamp Bolts
15. Chamfer Grooves
16. Base
17. Dust/Chip Bag
18. Drive Belt

## Intended Use

Electric mini hand-planer for light and medium-duty planing with adjustable cutting depth and 8mm rebate depth. Can be used on hard and soft wood.

## Unpacking Your Tool

- Carefully unpack and inspect your tool. Fully familiarise yourself with all its features and functions
- Ensure that all parts of the tool are present and in good condition. If any parts are missing or damaged, have such parts replaced before attempting to use this tool

## Before Use

**⚠ WARNING:** ALWAYS ensure that the tool is switched OFF and unplugged from the power supply before making any adjustments, and before fitting or removing the blades.

## Replacing blades

- The planer is fitted with reversible blades. Blades can be reversed when blunt. After both sides of the blade have been used, they must be discarded
- Replacement planer blades are available from your Triton retailer

## Removing & installing the planer blades

**⚠ WARNING:** Planer blades are sharp! Always wear protective gloves when handling planer blades.

- The blades have a cutting edge on both sides so are reversible. If a blade is worn or damaged on one side, you can re-install it the other way round to use the other cutting edge
- IMPORTANT:** A single blade may be replaced only if it is damaged. If the blade is worn, you must replace both blades in the drum to prevent unbalanced operation, which can cause dangerous vibration and damage the tool.
- If replacing blades, use blades of the same dimensions and weight, or the drum will oscillate and vibrate, causing poor planing action and possibly breakdown
- The quality of finish relies on correct installation of the blades. Clean away any woodchips or other foreign matter adhering to the blade drum or clamps

1. Rotate the Blade Drum (11) so one Blade (12) faces up and is accessible
2. Using the Spanner (8)(Fig. I), loosen the three Blade Clamp Bolts (14) (Fig. II) just sufficiently to remove the Blade from the drum
3. Carefully remove the Blade from the Blade Clamp slot, using a small piece of wood to push the Blade out (Fig. III)



- Slide the Blade (12) into the slot in the Blade Clamp (Fig. IV) so that the point of the Blade edge is closer to the Chamfer Grooves (15), which then tapers down toward the Base (16) matching the contour of the Blade Clamp
- Ensure that both ends of the Blade are protruding equally (Fig. V)
- Tighten the Blade Clamp Bolts (Fig. VI)

**Note:** Do not attempt to adjust the Blade with the Blade Clamp (13) screws, which are pre-set at manufacturing.

## Correct setting of blades

- It is essential that the blades are set correctly or the workpiece will end up rough and uneven. For a clean, smooth cut, the blades must be mounted so the cutting edge is absolutely level, i.e. parallel to the surface of the rear Base (16) (Fig. VII)

### Nicks in the surface

- The cutting edge of one or all blades is not parallel to the rear base (Fig. VIII)

### Gouging at start

- One or all blades are not protruding enough in relation to the rear base (Fig. IX)

## Adjusting the planing depth

- Rotate the Depth Adjustment Dial (1) clockwise for a deeper cut and anticlockwise for a shallower cut
- The calibrations on the ring under the Depth Adjustment Dial indicate the cutting depth. For example, when '1.0' is next to the point on the front of the planer, the depth of cut is approximately 1.0mm
- If depth of cut is critical, plane a scrap piece of wood, measure the difference in thickness and adjust the setting as needed

## Using the rear parking rest

- The Rear Parking Rest (7) protects workpieces from damage when the tool is put aside
- The rest automatically folds backwards when planing (Fig. X)

## Dust/Chip extraction

**⚠ WARNING:** Always use a workshop vacuum, dust/chip extraction system or the Dust/Chip Bag (17) when operating this tool.

- A workshop vacuum or dust extraction system can be connected to the side Dust/Chip Extraction Port (2) (Fig. XI)
- The Dust/Chip Bag (17) can be connected to the side Dust/Chip Extraction Port

**⚠ WARNING:** NEVER remove obstructions from the Dust/Chip Extraction Port while the Blades and Blade Drum are rotating. Always disconnect the tool from the power supply before removing any obstructions.

# Operation

## Switching ON & OFF

**⚠ WARNING:** Before plugging the tool into the power socket, always check that the ON/OFF Trigger Switch (3) and Lock-Off Button (4) work correctly.

- Plug the Power Cord (6) into the mains power supply
- To power ON, depress the Lock-Off Button (4) and simultaneously squeeze the ON/OFF Trigger Switch (3)

**Note:** The Lock-Off Button can be released once the planer is running.

- To power OFF, release the ON/OFF Trigger Switch

**⚠ Please note** that the planer blades continue to turn for some time after switching OFF the planer. Wait until the motor has completely stopped before setting down the tool to prevent damage to the planer blades or the workpiece surface. If you wish to rest the planer on its side, do not rest it on the side with the vents, as these prevent dust or chips from getting into the motor.

- When the planer is not to be used for a short period, set the Depth Adjustment Dial (1) to the '0' position and rest the front of the plane on a block of wood to keep the base clear of the surface. Ensure the Rear Parking Rest (7) is down to protect the blades

## Planing

**⚠ WARNING:** Moving the tool too fast may cause a poor quality cut and can damage the blades or the motor. Moving the tool too slowly may burn or 'mar' the cut. The proper feed rate will depend on the type of material being cut and the depth of the cut. Practice first on a piece of scrap material to gauge the correct motion.

**WARNING:** Always use two hands to hold the planer.

**WARNING:** Where possible, clamp the workpiece to a workbench.

- Rest the front of the planer on the workpiece, ensuring the Blades (12) are not in contact with the workpiece
- Switch ON the tool and wait for the blades to reach full speed
- Move the planer gently forward, applying pressure on the front of the tool at the start of planing, and pressure at the rear of the tool towards the end of the planing stroke

- Push the planer beyond the edge of the workpiece without tilting it downwards

**Note:** Planing is easier if you incline the workpiece slightly away from you so that you plane 'downhill'.

- The rate of planing and the depth of cut determine the quality of the finish. For rough cutting, you can increase the depth of cut; however, to achieve a good finish, you need to reduce the depth of cut and advance the tool more slowly
- Lift the tool from the workpiece before releasing the ON/OFF Trigger Switch and powering OFF
- In between operations, rest the planer on a flat surface with the Rear Parking Rest (7) to support the planer, so that the blades are kept clear of the surface of the workpiece

## Chamfering

- To make a chamfered cut (Fig. XII), align the required size 'V' Chamfer Groove (15) in the front base of the planer with the corner edge of the workpiece

**Note:** Use the smaller 'V' Chamfer Groove for a shallower chamfer and the larger groove for a deeper chamfer

- Power the planer ON and run the planer along the corner edge

**IMPORTANT:** Always test out first on a scrap piece of material.

- Lift the tool from the workpiece before releasing the ON/OFF Trigger Switch and powering OFF

# Accessories

- A range of accessories and consumables—including blades, additional clamps, and personal protective equipment—is available from your Triton stockist
- Spare parts can be ordered from [toolsparsonline.com](http://toolsparsonline.com)

# Maintenance

**⚠ WARNING:** Ensure the tool is switched OFF and the plug is removed from the power supply before making any adjustments or maintenance procedures.

## General inspection

- Regularly check that all the fixing screws are tight. They may vibrate loose over time
- Prior to each use, inspect the supply cord of the tool for damage or wear. This advice also applies to extension cords used with this tool
- If replacement of the supply cord is necessary, this must be done by the manufacturer or their agent in order to avoid a safety hazard

## Drive belt replacement

- It is recommended that leather gloves are worn when changing the belt, in the event of hands coming into contact with the blades

- To replace the Drive Belt (18), remove the three crosshead screws that secure the Drive Belt Cover (9)
- Remove the damaged/worn belt and use a soft brush to clean the pulleys and the surrounding area

**Note:** Wear eye protection when cleaning out the pulley area.


- Place the new belt over the bottom pulley. Half-fit the other end of the belt on the top pulley then roll the belt in place while turning the pulley
- Check that the belt runs evenly by manually turning the belt
- Replace the cover and the fixing screws
- Connect the tool to the power supply and run the planer for a minute or two to ensure the motor and belt are operating correctly

## Brush replacement

- It is recommended that leather gloves are worn when changing the brushes, in the event of hands coming into contact with the blades

- To replace the brushes, remove the three crosshead screws that secure the Brush Access Cover (10)
- Disconnect the cables from the brushes (Image A)
- Using a screwdriver, pop out the brushes from the holding positions (Image B)
- Use a flat tipped screwdriver to open out the holding flap on the brush casing (Image C) then remove the brush (Image D)
- Insert the new brush correctly with the casing, ensuring the groove on the carbon is the same side as the alignment fork (Image E)
- Press the brush spring in and close the holding flap of the case (F)
- Re-insert the new brush with its case into the holding position and reconnect the cables
- Re-attach the Brush Access Cover and secure with the crosshead screws

## Cleaning

 **WARNING:** ALWAYS wear protective equipment including eye protection and gloves when cleaning this tool.

- Keep your tool clean at all times. Dirt and dust will cause internal parts to wear quickly, and shorten the device's service life
- Clean the body of your machine with a soft brush, or dry cloth
- Never use caustic agents to clean plastic parts. If dry cleaning is not sufficient, a mild detergent on a damp cloth is recommended
- Water must never come into contact with the tool
- Ensure the tool is thoroughly dry before using it
- If available, use clean, dry, compressed air to blow through the ventilation holes (where applicable)

## Lubrication

- Lubricate all moving parts with a suitable lubricant spray at regular intervals

## Storage

- Store this tool carefully in a secure, dry place out of the reach of children
- Store out of direct sunlight

## Disposal

Always adhere to national regulations when disposing of power tools that are no longer functional and are not viable for repair.

- Do not dispose of power tools, or other waste electrical and electronic equipment (WEEE), with household waste
- Contact your local waste disposal authority for information on the correct way to dispose of power tools

## Guarantee

To register your guarantee visit our web site at [tritontools.com](http://tritontools.com)\* and enter your details.

Your details will be included on our mailing list (unless indicated otherwise) for information on future releases. Details provided will not be made available to any third party.

## Purchase Record

Date of Purchase: \_\_\_/\_\_\_/\_\_\_

Model: TMNPL Retain your receipt as proof of purchase

## CE Declaration of Conformity

The undersigned: Mr Darrell Morris  
as authorised by: Triton

Declares that

This declaration has been issued under the sole responsibility of the manufacturer.

The object of the declaration is in conformity with the relevant Union harmonisation Legislation.

Identification code: TMNPL

Description: 450W Mini Planer 60mm

Conforms to the following directives and standards:

- Machinery Directive 2006/42/EC
- EMC Directive 2014/30/EU
- RoHS Directive 2011/65/EU
- EN 60745-1:2009+A11:2010
- EN 60745-2-14:2009+A2:2010
- EN 55014-1:2006+A2:2011
- EN 55014-2:1997+A2:2008
- EN 61000-3-2:2014
- EN 61000-3-3:2013

Notified body: TÜV SÜD

Triton Precision Power Tools guarantees to the purchaser of this product that if any part proves to be defective due to faulty materials or workmanship within 3 YEARS from the date of original purchase,

Triton will repair, or at its discretion replace, the faulty part free of charge.

This guarantee does not apply to commercial use nor does it extend to normal wear and tear or damage as a result of accident, abuse or misuse.

\* Register online within 30 days.

Terms & conditions apply.

This does not affect your statutory rights

The technical documentation is kept by: Triton

Date: 06/07/2017

Signed:



Mr Darrell Morris

Managing Director

Name and address of the manufacturer:

Powerbox International Limited, Company No. 06897059. Registered address: Powerbox, Boundary Way, Lufton Trading Estate, Yeovil, Somerset, BA22 8HZ, United Kingdom.

# Vertaling van de originele instructies

## Inleiding

Hartelijk dank voor de aanschaf van dit Triton- gereedschap. Deze instructies bevatten informatie die u nodig hebt voor een veilige en doeltreffende bediening van dit product. Dit product heeft unieke kenmerken. Zelfs als u bekend bent met gelijksoortige producten dient u deze handleiding zorgvuldig door te lezen, zodat u in staat bent alle voordelen te benutten. Houd deze handleiding bij de hand en zorg ervoor dat alle gebruikers van dit gereedschap de handleiding hebben gelezen en volledig hebben begrepen.

## Beschrijving symbolen

Op het gegevensplaatje van uw gereedschap kunnen zich symbolen bevinden. Deze vertegenwoordigen belangrijke productinformatie en gebruiksinstructies.



Draag gehoorbescherming  
Draag een veiligheidsbril  
Draag een stofmasker  
Draag een veiligheidshelm



Draag handschoenen



Lees de handleiding



Voorzichtig!



**WAARSCHUWING:** Bewegende delen kunnen ernstig letsel veroorzaken.



**Waarschuwing:** scherpe bladen of tanden!



Ontkoppel de machine van de stroombron en wacht tot de bladen volledig stil staan voordat u deze aanraakt.



Giftige dampen of gassen!



Ontkoppel de machine van de stroombron voor het maken van aanpassingen, het verwisselen van accessoires, het schoonmaken, het uitvoeren van onderhoud en wanneer de machine niet in gebruik is!



Enkel geschikt voor binnen gebruik!



Beschermingsklasse II (dubbel geïsoleerd)



Temperatuurzekerings springt bij 130°C.



Voldoet aan de relevante wetgeving en veiligheidsnormen (enkel EU model)



### Milieubescherming

Elektrische producten mogen niet met het normale huisvuil worden weggegooid. Indien de mogelijkheid bestaat, dient u het product te recyclen. Vraag de plaatselijke autoriteiten of winkelier om advies betreffende recyclen.

## Technische afkortingen en symbolen

V	Voit
~, AC	Wisselspanning
A, mA	Ampère, milliampère
n <sub>0</sub>	Onbelaste snelheid
n	Nominale snelheid
opm	Oscillaties per minuut
°	Graden
Hz	Hertz
≡, DC	Gelijkspanning
W, kW	Watt, kilowatt
/min of min <sup>-1</sup>	Operaties per minuut
rpm	Toeren per minuut
dB(A)	Decibel geluidsniveau (A-gewogen)
m/s <sup>2</sup>	Meters per seconde (trillingsamplitude)
Ø	Diameter

## Specificaties

Model number	TMNPL
Spanning:	220–240 V– 50/60 Hz
Vermogen:	450 W
Beschermingsgraad	IP20
Onbelaste snelheid:	16.000 min <sup>-1</sup>
Sneden per minuut	32.000
Messen:	2 omkeerbare schaaftmessen 60 mm standaard
Schaaftbreedte:	60 mm
Diepte schaaftbereik:	0–1,5 mm
Spanningsdiepte:	8 mm
Spaanderuitworp naar links of rechts:	Rechts
V-groeven voor afschuining:	2
Parkeerstand:	Automatisch
Snoerlengte:	3 m
Afmetingen (L x B x H):	290 x 130 x 150 mm
Gewicht:	2,3 kg

## Geluid en trilling:

Geluidsdruk $L_{pA}$	84,7 dB(A)
Geluidsvermogen $L_{wA}$	95,7 dB(A)
Onzekerheid K	3 dB(A)
Trilling hoofd handvat $a_h$	2,256 m/s <sup>2</sup>
Trilling hulphandvat $a_g$	3,375 m/s <sup>2</sup>
Onzekerheid K	1,5 m/s <sup>2</sup>

De geluidsintensiteit voor de bediener kan 85 dB(A) overschrijden en de gehoorbescherming is noodzakelijk.

Met het oog op onze aanhoudende productontwikkeling kunnen de specificaties van Triton producten zonder voorafgaande kennisgeving worden gewijzigd.

**WAARSCHUWING:** Bij een geluidsintensiteit van 85 dB(A) of hoger is het dragen van gehoorbescherming en het limiteren van de blootstellingstijd vereist. Bij oncomfortabel hoge geluidsniveaus, zelfs met het dragen van gehoorbescherming, stop u het gebruik van de machine onmiddellijk. Controleer de pasvorm en het geluidsempingsniveau van de bescherming.

**WAARSCHUWING:** Blootstelling aan trilling resulteert mogelijk in gevoelloosheid, tinteling en een verminderd gripvermogen. Langdurige blootstelling kan leiden tot chronische condities. Limiteer de blootstelduur en draag anti-vibratie handschoenen. Vibratie heeft een grotere invloed op handen met een temperatuur lager dan een normale, comfortabele temperatuur. Maak gebruik van de informatie in de specificaties voor het berekenen van de gebruiksduur en frequentie van de machine.

Geluids- en trillingsniveaus in de specificaties zijn bepaald in overeenstemming met internationale normen. De waarden gelden voor een normaal gebruik in normale werkomstandigheden. Een slecht onderhouden, onjuist samengesteld of onjuist gebruikte machine produceert mogelijk hogere geluids- en trillingsniveaus. [www.osha.europa.eu](http://www.osha.europa.eu) biedt informatie met betrekking tot geluids- en trillingsniveaus op de werkplek wat mogelijk nuttig is voor regelmatige gebruikers van machines.

## Algemene Veiligheids waarschuwingen Elektrische Gereedschap

**⚠ WAARSCHUWING:** Lees alle veiligheids waarschuwingen, instructies, illustraties, en specificaties die met dit gereedschap meegeleverd worden. *Het niet naleven van alle niernavigatie instructies kan resulteren in elektrische schokken, brand en/of ernstig letsel.*

**Bewaar alle waarschuwingen en instructies voor toekomstig gebruik.**

De term "elektrisch gereedschap" in de waarschuwingen verwijst naar uw elektrisch gereedschap dat op een elektrisch netwerk is aangesloten (met een snoer) of dat met behulp van een accu wordt gevoed (snoerloos).

### 1) Veiligheid werkruimte

- a) Houd de werkruimte zuiver en goed verlicht. Rommelige en donkere ruimtes geven dikwijls aanleiding tot ongelukken.
- b) Werk niet met elektrisch gereedschap in explosieve omgevingen, bijvoorbeeld indien er ontvlambare vloeistoffen, gassen, of stof aanwezig zijn. Elektrisch gereedschap creëert vonken die stof of dampen kunnen doen ontbranden.
- c) Houd kinderen en omstanders uit de buurt wanneer u elektrisch gereedschap gebruikt. Door afleiding kunt u de controle over het gereedschap verliezen.

### 2) Elektrische veiligheid

- a) De stekkers van het elektrische gereedschap moeten afgestemd zijn op het stopcontact. Pas de stekker nooit aan. Gebruik geen adapterstekkers in combinatie met geaard elektrisch gereedschap. Het gebruik van ongewijzigde stekkers en passende stopcontacten beperkt het risico op elektrische schokken.
- b) Vermijd lichaamlijk contact met geaarde oppervlakken zoals buizen, radiatoren, fornuizen en koelkasten. Het risico op een elektrische schok neemt toe wanneer uw lichaam geaard is.
- c) Stel elektrisch gereedschap niet bloot aan regen of aan natte omstandigheden. Water dat elektrisch gereedschap binnendringt, verhoogt het risico op elektrische schokken.
- d) Beschadig het snoer niet. Gebruik het snoer nooit om het elektrisch gereedschap te dragen, voor te trekken, of om de stekker uit het stopcontact te trekken. Houd het snoer uit de buurt van hitte, olie, scherpe randen of bewegende delen. Een beschadigd of in de knoop geraakt snoer verhoogt het risico op elektrische schokken.
- e) Wanneer u elektrisch gereedschap buiten gebruikt, maak dan gebruik van een verlengsnoer dat geschikt is voor gebruik buitenshuis. Gebruik een verlengsnoer dat geschikt is voor gebruik buitenshuis om het risico op elektrische schokken te beperken.
- f) Indien het onvermijdelijk is om elektrisch gereedschap te gebruiken in een vochtige omgeving, gebruik dan een voeding waarop een aardlekbeveiliging (Residual Current Device - RCD) is voorzien. Het gebruik van een RCD beperkt het risico op elektrische schokken.

### 3) Persoonlijke veiligheid

- a) Blijf alert, let op wat u doet, en gebruik uw gezond verstand wanneer u elektrisch gereedschap gebruikt. Gebruik elektrisch gereedschap nooit wanneer u vermoeid bent of onder de invloed bent van drugs, alcohol of geneesmiddelen. Onoplettendheid tijdens het gebruik van elektrisch gereedschap kan aanleiding geven tot ernstig persoonlijk letsel.
  - b) Gebruik persoonlijke beschermingsuitrusting. Draag steeds oogbescherming. Beschermende uitrusting, aangepast aan de omstandigheden, zoals een stofmasker, antislip veiligheidsschoenen, een helm, of gehoorbescherming beperkt het risico op persoonlijk letsel.
  - c) Zorg ervoor dat het gereedschap niet per ongeluk wordt gestart. Zorg ervoor dat de schakelaar in de uit-stand staat alvorens u de stekker in het stopcontact steekt en/of de accu aanbrengt, het gereedschap opneemt of draagt. Het dragen van elektrisch gereedschap met uw vinger op de schakelaar of het aansluiten van het gereedschap op een voeding wanneer de schakelaar is ingeschakeld, kan aanleiding geven tot ongelukken.
  - d) Verwijder alle stel- of moersleutels voordat u het elektrische gereedschap inschakelt. Een moer- of stelsleutel die is achtergelaten op of in een roterend onderdeel van het elektrisch gereedschap kan aanleiding geven tot persoonlijk letsel.
  - e) Reik niet te ver. Zorg ervoor dat u steeds stabiel in en evenwicht staat. Zo houdt u meer controle over het elektrische gereedschap in onverwachte situaties.
  - f) Draag geschikte kleding. Draag geen loshangende kleding of sieraden. Houd haren en kleding uit de buurt van bewegende delen. Loshangende kleding, sieraden en lange haren kunnen gegrepen worden door bewegende onderdelen.
  - g) Als er inrichtingen voorzien zijn voor het afvoeren of het verzamelen van stof, zorg er dan voor dat deze op de correcte wijze aangesloten en gebruikt worden. Het gebruik van inrichtingen voor het verzamelen en het afvoeren van stof kan het risico op aan stof gerelateerde ongelukken beperken.
  - h) Het is niet omdat u gereedschap dikwijls gebruikt en er bekend mee bent dat u nalatig mag worden en de veiligheidsprincipes van het gereedschap mag verwaarlozen. Een onbedachte actie kan aanleiding geven tot ernstig letsel in een fractie van een seconde.
- ### 4) Gebruik en onderhoud van elektrisch gereedschap
- a) Forceer elektrisch gereedschap nooit. Gebruik elektrisch gereedschap dat geschikt is voor het werk dat u wilt uitvoeren. Geschikt elektrisch gereedschap werkt beter en veiliger op een snelheid waarvoor het werd ontworpen.
  - b) Gebruik het elektrische gereedschap niet indien de schakelaar het apparaat niet in- en uitschakelt. Elektrisch gereedschap dat niet met behulp van de schakelaar kan bediend worden, is gevaarlijk en moet hersteld worden.
  - c) Haal de stekker uit het stopcontact en/of verwijder de accu (indien mogelijk) uit het elektrische gereedschap alvorens u instellingen aanpast, accessoires vervangt of het elektrische gereedschap opbergt. Dergelijke voorzorgsmaatregelen verminderen het risico op het per ongeluk starten van het elektrische gereedschap.
  - d) Berg elektrisch gereedschap dat niet in gebruik is op buiten het bereik van kinderen, en laat personen die niet bekend zijn met het elektrische gereedschap of met deze instructies het elektrische gereedschap niet bedienen. Elektrisch gereedschap is gevaarlijk indien het gebruikt wordt door onervaren gebruikers.
  - e) Onderhoud het elektrische gereedschap en de bijbehorende accessoires. Controleer een eventuele foutieve uitlijning of het vastzitten van bewegende delen, eventuele gebroken onderdelen, en welke andere afwijkingen dan ook die de werking van het elektrische gereedschap zouden kunnen beïnvloeden. Indien het elektrische gereedschap beschadigd is, dient het gerepareerd te worden alvorens u het opnieuw gebruikt. Vele ongelukken worden veroorzaakt door slecht onderhouden elektrisch gereedschap.
  - f) Houd snijwerktuigen scherp en schoon. Goed onderhouden snijwerktuigen met scherpe snijranden slaan minder snel vast en zijn gemakkelijker te bedienen en te controleren.
  - g) Gebruik het elektrische gereedschap, accessoires en onderdelen volgens deze instructies en in overeenstemming met de werkomstandigheden en met het uit te voeren werk. Het gebruik van het elektrische gereedschap voor werkzaamheden die verschillen van deze waarvoor het apparaat bedoeld is, kan aanleiding geven tot gevaarlijke situaties.
  - h) Houd de handgrepen en greep oppervlakken droog, schoon, en vrij van olie en vet. Glibberige handgrepen en greep oppervlakken maken een veilige manipulatie en controle van het gereedschap in onverwachte situaties onmogelijk.
- ### 5) Onderhoud
- a) Laat uw elektrisch gereedschap onderhouden door een gekwalificeerde persoon en maak enkel gebruik van identieke vervangstukken. Zo bent u ervan verzekerd dat de veiligheid van het elektrische gereedschap gewaarborgd blijft.

## Schaafmachine veiligheid

**⚠ WAARSCHUWING!**

- Wacht tot het schaaflaad volledig stilstaat voordat u de machine neerlegt. Een roterend schaaflaad kan in het werkstuk grijpen wat kan leiden tot controleverlies en ernstig persoonlijk letsel.
- Houdt de machine te allen tijde bij de geïsoleerde oppervlakken vast. Wanneer het schaaflaad door het stroomsnoer of enige andere stroomdraden snijdt komen de metalen onderdelen mogelijk onder stroom te staan wat kan leiden tot elektrische schok.
- Zet het werkstuk met gebruik van klemmen of andere hulpmiddelen op een stevig werkoppervlak vast. Wanneer u het werkstuk in uw hand vasthoudt of tegen uw lichaam klemt, is de kans op ongelukken extreme groot.
- Laat het stroomsnoer wanneer nodig door de fabrikant vervangen om de kans op

## gevaaren en persoonlijk letsel te voorkomen

- Het is aanbevolen de machine te gebruiken met een aardlekschakelaar met een maximale lekstroom van 30 mA



- **Maak gebruik van een geschikt stofmasker:** *Het gebruik van de machine produceert mogelijk stoffen die kankerverwekkend zijn, kunnen leiden tot aangeboren afwijkingen en andere gezondheidsproblemen. Sommige houtsoorten bevatten koper-chroom arseenzouten (CCA), welke giftig kunnen zijn. Ben extra voorzichtig bij het bewerken van deze houtsoorten. Voorkom inhalering en minimaliseer huidcontact.*



- **Gebruik geschikte detectors om te controleren of het werkgebied verborgen stroomdraden bevat.** *Contact met stroomdraden kan resulteren in brand en elektrische schok. Het beschadigen van gasleidingen kan resulteren in explosies. Het penetreren van waterleidingen resulteert in waterschade*
- **Reik niet in de spaanuitvoering met uw handen.** *Uw handen komen mogelijk in contact met de roterende onderdelen*
- **Een stofmasker en stof onttinningsstelsel zijn aanbevolen om de gebruiker te beschermen tegen zaagsel/schaafsel.** *Elektrische schaafmachine produceren grote hoeveelheden (giftig) zaagsel/schaafsel*
- **Maak enkel gebruik van scherpe schaafladen.** *Hanteer de bladen erg voorzichtig*
- a) **Controleer of vereiste spanning van de machine overeenkomt met de spanning van de stroombron**
- b) **Zorg ervoor dat alle schroeven, spijkers etc. uit het werkstuk verwijderd zijn voordat de taak wordt uitgevoerd.** *Zo niet, raakt de machine mogelijk beschadigd wat resulteert in veiligheidsgevaaren*
- c) **Zorg ervoor dat alle draden, doeken, kabels, etc. uit het werkgebied verwijderd zijn.** *Zo voorkomt u de kans op verstrengeling*
- d) **Controleer voor elk gebruik of de bladtoeren goed vast zitten**
- e) **Laat de machine, voordat deze in contact wordt gebracht met het werkstuk, voor een korte periode vrij lopen.** *Overvloedige trilling en wiebelen kan duiden op een foutieve opzet of een onjuist uitgebalanceerd schaaflaad*
- f) **Laat de machine op volledige snelheid komen voordat deze in contact wordt gebracht met het werkstuk**
- g) **Houdt de schaafmachine met beide handen vast**
- h) **Houdt de schaafmachine op minimaal 20 cm afstand van uw gezicht en lichaam**
- i) **Wacht tot de schaafladen volledig op snelheid zijn**
- j) **Vochtig schaaflaad verstopt de stofkoker mogelijk.** *Schakel de machine uit, haal de stekker uit het stopcontact en verwijder het hout met een stolje.*
- k) **Schakel de machine uit en laat de bladen volledig tot stilstand komen voordat enig onderhoud of schoonmaak wordt uitgevoerd**
- l) **Wanneer de machine onbeheerd achtergelaten wordt, haalt u de stekker uit het stopcontact**
- m) **Wanneer de machine niet gebruikt wordt, haalt u de stekker uit het stopcontact en plaatst u de voorste basis op een houten blok zodat de bladen geen voorwerpen raken**
- n) **Vervang beide bladen tegelijkertijd** *waardoor de balans en gebruiksduur behouden worden en overmatige trilling uitgesloten wordt*

## Snijwerktuig veiligheid

**WAARSCHUWING:** Voordat u de machine op de stroombron aansluit, controleert u of de spanning gelijk is aan de spanning weergegeven op het gegevensplaatje van de laminaatzaag. De aansluiting op een stroombron met een hogere spanning kan resulteren in serieuze verwondingen aan de gebruiker en beschadigingen aan de machine. Een lagere spanning is schadelijk voor de motor. Sluit de machine bij enige twijfel niet aan

## Gebruik het juiste gereedschap

- Zorg ervoor dat uw gereedschap geschikt is voor de klus. Raadpleeg altijd eerst de gebruiksaanwijzing van het product. Neem niet zonder meer aan dat het gereedschap geschikt is

## Bescherm uw ogen

- Draag bij het gebruik van snijwerktuigen altijd geschikte oogbescherming
- Een gewone bril is niet ontworpen om bescherming te bieden bij het gebruik van dit product. Normale lenzen zijn niet schokvast en kunnen versplinteren

## Bescherm uw gehoor

- Draag altijd geschikte gehoorbescherming bij gereedschap dat een geluidsniveau van meer dan 85 dB produceert

## Bescherm uw luchtwegen

- Bij werk waarbij stof vrijkomt, moet altijd een geschikt gezicht- of stofmasker worden gedragen. Wees voorzichtig dat u anderen om u heen niet blootstelt aan stof

## Bescherm uw handen

- Houd uw handen uit de buurt van zaagbladen, snijschijven en boor bits. Bij het werken met kleine werkstukken maakt u gebruik van een duwstok

## Denk aan anderen om u heen

- Het is de verantwoordelijkheid van de gebruiker om ervoor te zorgen dat andere mensen in de nabijheid van het werkgebied niet worden blootgesteld aan gevaarlijk geluid en stof. Zorg ervoor dat alle personen die het nodig hebben voorzien worden van geschikte persoonlijke beschermingsmiddelen

## Verborgen voorwerpen

- Inspecteer het werkstuk en verwijder alle spijkers en andere voorwerpen
- Zaag geen werkstukken met vastzittende voorwerpen, tenzij de machine en het zaagblad hier toe in staat zijn
- Let op voor verborgen voorwerpen. Muren verbergen mogelijk bedradingen en pijpleidingen, autopanelen verbergen mogelijk brandstofleidingen en gras verbergt mogelijk stenen en glas. Controleer het werkstuk grondig voordat u gaat zagen

## Wees voorzichtig met rondvliegend afval

- In sommige gevallen wordt het afval met grote snelheid door het gereedschap opgeworpen. Zorg ervoor dat er geen andere personen in de werkomgeving zijn. Als het nodig is om andere personen dichtbij te hebben, draagt de gebruiker er de verantwoordelijkheid voor dat ze zijn uitgerust met de juiste persoonlijke beschermingsmiddelen.

## Het monteren van zaagbladen

- Zorg ervoor dat de zaagbladen goed zijn aangebracht en vastgezet voordat het gereedschap wordt gebruikt. Stel vast dat steekslutels en andere stelmiddelen vóór gebruik zijn verwijderd.
- Gebruik uitsluitend zaagbladen die zijn aanbevolen voor uw machine.
- Probeer zaaggereedschap niet te wijzigen
- Zorg ervoor dat de bladen scherp zijn, in goede staat verkeren en juist gemonteerd zijn
- Bladen die niet te slijpen zijn, waaronder hardmetalen bladen, dienen niet scherp geslepen worden wanneer bot
- Bij het slijpen van bladen die scherp geslepen mogen worden, volgt u de instructies van de bladfabrikant op. Deze bladen zijn mogelijk een bepaald aantal keer te slijpen
- Geslepen balden dienen nauwkeuriger geïnspecteerd te worden voordat de machine gebruikt wordt. Vervang de bladen wanneer u vermoedt dat deze niet geschikt zijn voor gebruik
- Vervang bladen wanneer deze tijdens gebruik in contact komen met een verborgen, ongeschikt voorwerp

## Richting van aanvoer

- Voer het werkstuk uitsluitend aan in het zaagblad of het gereedschap tegen de richting van de beweging van het zaagblad of het gereedschap in.

## Wees voorzichtig met hitte

- Denk er aan dat het zaaggereedschap en de werkstukken tijdens het werk heel kunnen worden. Probeer niet om iets aan te passen voordat het gereedschap helemaal is afgekoeld.

## Beheers afval

- Voorkom een ophoping van zaagsel en spanen. Zaagsel veroorzaakt brandgevaar, en sommige soorten metaalspanen zijn explosief.
- Wees vooral voorzichtig met machines die worden gebruikt voor het zagen van hout en metaal. Vonken bij het zagen van metaal veroorzaken vaak brand in stof en zaagsel.
- Gebruik waar mogelijk een stofafvoersysteem om voor een veiligere werkomgeving te zorgen.

## Productbeschrijving

1. Diepte verstelknop
2. Stof/spaanderpoort
3. Aan-/uit trekkerschakelaar
4. Vergrendelknop
5. Handvat
6. Stroomsnoer
7. Achterste parkeervoet
8. Moersleutel
9. Aandrijfriem kap
10. Borstel toegangskap
11. Trommel
12. Blad

13. Bladkleem
14. Bladkleem bouten
15. Afschuiningsgroeven
16. Voet
17. Stof/spaanderzak
18. Aandrijfriem

## Gebruiksdoel

Elektrische mini schaafmachine voor licht en middelzwaar schaaftwerk met een verstelbare schaaftdiepte en 8 mm sponningsdiepte. Voor gebruik op harde en zachte houtsoorten.

## Het uitpakken van uw gereedschap

- Pak uw toestel / gereedschap uit. Inspecteer het en zorg dat u met alle kenmerken en functies vertrouwd raakt
- Controleer of alle onderdelen aanwezig zijn en in goede staat verkeren. Als er onderdelen ontbreken of beschadigd zijn, zorg dan dat deze vervangen worden voor u dit toestel / gereedschap gebruikt

## Voor gebruik

**⚠ WAARSCHUWING:** Schakel de machine uit en ontkoppeld deze van de stroombron voordat u enige aanpassingen maakt en/of schaaftbladen vervangt

## Het vervangen van de schaaftbladen

- De schaafmachine is voorzien van omkeerbare bladen. Wanneer de messen bot zijn draait u ze om. Wanneer beide zijden bot zijn horen deze weggegooid te worden
- Vervangende bladen zijn verkrijgbaar bij uw Triton handelaar

## Het verwijderen & installeren van de schaaftbladen

**⚠ WAARSCHUWING:** Schaaftbladen zijn scherp! Draag altijd beschermende handschoenen wanneer u de bladen vastpakt.

- De schaaftbladen hebben twee scherpe zijden waardoor deze om te draaien zijn. Wanneer de ene zijde van een blad bot of beschadigd is, kunt u het blad omdraaien

**BELANGRIJK:** Alleen wanneer een blad beschadigd is mag het alleen verwijderd worden. Wanneer één blad bot is, horen ze alle drie tegelijk vervangen te worden. Zo voorkomt u vibratie en beschadigingen

- Wanneer u de bladen vervangt, gebruikt u bladen met dezelfde afmetingen en hetzelfde gewicht. Zo voorkomt u slechte kwaliteit schaven en beschadiging aan de machine
- De kwaliteit van het schaven hangt af van de montage van de schaaftbladen. Verwijder schaaftspanners van de bladen en/of de klemmen

1. Draai de trommel (11) om zodat een blad (12) omhoog ligt en u er bij kunt
2. Graai de moersleutel (8) (fig. I) om de drie bladkleem bouten (14) (fi. II) los te maken, net genoeg om het blad van de trommel te halen
3. Haal het blad voorzichtig uit de bladkleem sleuf met een stukje hout om het blad er uit te duwen (fig. III)
4. Schuif het blad (12) in de sleuf in de bladkleem (fig. IV) zodat de punt van de rand van het blad dichterbij de afschuiningsgroeven (15) is, wat dan naar beneden loopt naar de voet (16) gelijk aan de vorm van de bladkleem
5. Zorg dat beide uiteinden van het blad even ver uitsteken (fig. V)
6. Maak de bladkleem bouten vast (fig. VI)

**Belangrijk:** Probeer het blad niet aan te passen met de bladkleem (13) schroeven, deze zijn in de fabriek ingesteld

## Correcte schaaftblad verstelling

- Het is essentieel dat de drie schaaftbladen correct zijn gemonteerd. Wanneer dit niet het geval is zal het resultaat oneven en stroef zijn. Voor een fijne en even afwerking horen de bladen zo gemonteerd te zijn dat de snij randen evenwijdig aan het oppervlak van de achterste voet (16) staan (fig. VII)

### Inkepingen in het oppervlak

De snij rand van één of van alle bladen staat niet parallel op de achterste voet (fig. VIII)

### Diepere schaafsneede aan het begin

Eén of alle schaaftbladen schaven niet diep genoeg in het werkstuk ten opzichte van de achterste voet (fig. IX)

## Het aanpassen van de schaaftdiepte

1. Draai de diepte verstellknop (1) met de klok mee voor een diepe sneede en tegen de klok in voor een ondiepere sneede
2. De kalibraties op de ring onder de diepte verstellknop geven de snijdiepte aan. Bijvoorbeeld, als de '1,0' naast de punt aan de voorkant van de schaafmachine staat is de diepte van de sneede ongeveer 1,0 mm
3. Als de diepte van de sneede belangrijk is, schaf dan een reserve stuk hout, meet het verschil in dikte en pas de instelling aan als dit nodig is

## Gebruik van de achterste parkeervoet

- De achterste parkeervoet (7) beschermt werkstukken tegen beschadiging wanneer de machine aan de kant gezet wordt
- De voet vouwt automatisch naar achteren tijdens het schaven (fig. X)

## Stof/spaander ontginning

**⚠ WAARSCHUWING:** Gebruik altijd een werkplaats stofzuiger, stof/spaander ontginningssysteem of de stof/spaanderzak (17) wanneer u deze machine gebruikt.

- Een werkplaats stofzuiger of stofontginningssysteem kan aan de stof/spaander ontginningsspoort (2) aan de zijkant vastgemaakt worden (fig. XI)
- De stof/spaanderzak (17) kan aan de stof/spaander ontginningsspoort aan de zijkant vastgemaakt worden

**⚠ WAARSCHUWING:** Verwijder NOOIT opstoppingen uit de stof/spaanderpoort terwijl het blad en de trommel draaien. Schakel de machine altijd eerst uit voordat u de opstoppingen verwijdert.

## Gebruik

### Het in- en uitschakelen van de machine

**⚠ WAARSCHUWING:** Controleer voordat u de stekker in het stopcontact steekt dat de aan/uit trekkerschakelaar (3) en de vergrendelknop (4) juist functioneren.

1. Stop het stroomsnoer (6) in het stopcontact
2. Om de machine in te schakelen, druk op de vergrendelknop (4) en knijp tegelijkertijd de aan/uit trekkerschakelaar (3) in

**Belangrijk:** De vergrendelingsknop kan losgelaten worden zodra de machine draait.

3. Om de machine stop te zetten laat u de trekker schakelaar los

**⚠ Houdt er rekening mee dat schaaftbladen na het loslaten van de trekker schakelaar voor enige tijd door roteren. Laat de motor en trommel volledig tot stilstand komen voordat u de machine neerlegt om zo schade aan de machine en aan het werkstuk te voorkomen. Wanneer u de machine neer wilt leggen, leg deze niet op de zijde van de ventilatiegaten zodat zaagsel/spaanders niet in de motor komen**

4. Wanneer de machine voor een korte periode niet gebruikt wordt stelt u de diepte controleknop (1) in op '0' en rust u de voorste zijde van de machine op een blok hout zodat de schaaftbladen van de machine niet in contact staat met enig materiaal. Zorg ervoor dat de achterste parkeervoet (7) uitgeklaapt is om de schaaftbladen te beschermen

## Schaven

**⚠ WAARSCHUWING:** Het te snel hanteren van de schaafmachine resulteert mogelijk in een slechte afwerking en kan de motor en de schaaftbladen beschadigen. Het te langzaam hanteren van de machine kan leiden tot het verbranden van het werkstuk. De juiste schaafsnelheid hangt af van het materiaal en de diepte van de schaafsneede. Oefen een aantal schaven op afvalmateriaal om de juiste schaafsnelheid te bepalen.

**WAARSCHUWING:** Gebruik beide handen om de machine te hanteren

**WAARSCHUWING:** Klem het werkstuk, wanneer mogelijk, vast

1. Rust de voorkant van de machine op het werkstuk, waarbij de bladen het werkstuk niet raken
  2. Zet de machine aan en laat de bladen op volledige snelheid komen
  3. Beweeg de machine langzaam voorwaarts waarbij u aan het begin van het schaven druk op de voorkant, en aan het eind van het schaven druk op de achterkant van de machine uit oefent
  4. Duw de machine over de rand van het werkstuk zonder de machine te kantelen
- Let op: Schaven is gemakkelijker wanneer u het werkstuk lichtelijk van u af plaatst zodat u benedenwaarts kunt schaven
5. Het aantal schaven en de diepte van de schaven bepaald de kwaliteit van de afwerking. Voor een ruwere afwerking kunt u een schaaftdiepte vergroten, maar voor een fijne afwerking zult u de schaaftdiepte moeten verkleinen en de machine langzamer hanteren
  6. Til de machine van het werkblad voordat u de aan/uit trekkerschakelaar los laat en de machine uit zet
  7. Tussen schaaftverken in kunt u de schaafmachine op een plat oppervlak neerleggen wanneer de achterste parkeervoet (7) uitgeklaapt is zodat de schaaftbladen het oppervlak niet raken. Zorg ervoor dat de parkeervoet in de automatische stand staat.

## Afkanten

1. Voor het maken van een afkant schaafsneede (Fig. XII), lijnt u de V-groef (15) in de voet van de machine uit met de hoekrand van het werkstuk

**NB:** Gebruik de Kleinere V-groef voor een ondiepere schaafsneede en de grotere groef voor een diepere sneede

2. Zet de machine aan en maak de schaaftbeweging langs de hoekrand

**BELANGRIJK:** Test dit altijd eerst op een reserve stuk hout.

3. Til de machine van het werkblad voordat u de aan/uit trekkerschakelaar los laat en de machine uit zet

## Accessoires

- Verschillende accessoires en verbruiksmiddelen, waaronder bladen, extra klemmen en persoonlijke beschermingsmiddelen, zijn verkrijgbaar bij uw Triton handelaar.
- Reserve onderdelen zijn verkrijgbaar op toolsparesonline.com

## Onderhoud

 **WAARSCHUWING:** Schakel de machine uit en verwijder de stekker uit het stopcontact voordat u enige aanpassingen maakt

### Algemene inspectie

- Controleer regelmatig of alle bevestigingsschroeven vast zitten. Deze kunnen mogelijk losstrillen
- Inspecteer het stroomsnoer voor elk gebruik op slijtage en beschadiging.
- Reparaties dienen uitgevoerd te worden bij een geautoriseerd Triton service center. Dit geldt tevens voor verlengsnoeren die met de machine gebruikt worden

### Het vervangen van de aandrijfriem

- Het is aan te raden bij het vervisselen van de aandrijfriem leren handschoenen te dragen
1. Voordat u de aandrijfriem (18) kunt vervangen draait u de drie kruiskop schroeven die de aandrijfriem kap (9) vastmaken, los en verwijderd u deze
  2. Verwijder de beschadigde riem en maak de geleidewielen met behulp van een zachte borstel schoon
- Let op: Draag een veiligheidsbril tijdens het schoonmaken
3. Met de vier evenwijdige V-groeven aan de buitenkant plaatst u de schuurband over het onderste geleidewiel. Plaats de band half over het bovenste geleidewiel en rol de band in positie
  4. Controleer of de band gelijk loopt door de met de hand te roteren
  5. Plaats de kap en de kruiskopschroeven terug op de machine
  6. Zet de machine aan en laat de band voor een minuut of 2 vrij roteren om zo te controleren of de motor en de band correct werken

### Het vervangen van de borstel

- Het is aan te raden bij het vervisselen van de borstels, leren handschoenen te dragen
1. Om de borstels te vervangen, verwijder de drie kruiskopschroeven die de borsteltoegangskap (10) vastmaken
  2. Haal de kabels uit de borstels (afb. A)
  3. Haal de borstels met een schroevendraaier uit de vaste positie (afb. B)

4. Maak de bevestigingsklep op de borstel behuizing (afb. C) met een platte schroevendraaier open en verwijder de borstel (afb. D)
5. Zet de nieuwe borstel met de behuizing er in, zorg er voor dat de groeven op het carbon aan de zelfde kant staan als de uitlijningsvork (afb. E)
6. Druk de borstelveer in en sluit het bevestigingsstuk van de behuizing (F)
7. Zet de nieuwe borstel met de behuizing terug in de bevestigde positie en maak de kabels weer vast
8. Maak de borstel toegangskap vast en draai de kruiskopschroeven er in

### Schoonmaak

**WAARSCHUWING:** Tijdens het schoonmaken van de machine is het dragen van beschermende middelen, waaronder gezichtsbescherming en handschoenen aanbevolen

- Houd uw machine te allen tijde schoon. Vuil en stof doen de interne delen sneller slijten wat de levensduur aanzienlijk vermindert
- Maak de behuizing van de machine met een droge doek of zachte borstel schoon
- Gebruik geen bijtende stoffen. Het gebruik van een licht schoonmaakmiddel op een vochtige doek is geschikt
- De machine mag niet in contact komen met water
- Zorg ervoor dat de machine volledig droog is voordat deze gebruikt wordt
- Gebruik wanneer mogelijk zuivere, droge perslucht om door de ventilatiegaten te blazen

### Smeren

- Alle bewegende onderdelen dienen regelmatig met een geschikt smeermiddel gesmeerd te worden

## Opberging

- Berg de machine op een veilige en droge plek, buiten het bereik van kinderen op
- Berg niet in direct zonlicht op

## Verwijdering

Bij de verwijdering van elektrische machines neemt u de nationale voorschriften in acht.

- Elektrische en elektronische apparaten en accu's mogen niet met uw huishoudelijk afval worden weggegooid
- Neem contact op met uw gemeente voor informatie betreffende de verwijdering van elektrisch gereedschap



## Garantie

Om uw garantie te registreren, gaat u naar onze website op [tritontools.com](http://tritontools.com)\* en voert u uw gegevens in.

Uw gegevens worden opgeslagen in onze mailinglist (tenzij u anders aangeeft) voor informatie over nieuwe producten. De ingevulde gegevens worden aan geen enkele andere partij beschikbaar gesteld.

## Aankoopgegevens

Datum van aankoop: \_\_\_/\_\_\_/\_\_\_

Model: TMNPL

Bewaar uw aankoopbon als aankoopbewijs rt pr

Triton Precision Power Tools garandeert de koper van dit product dat indien een

onderdeel defect is vanwege fouten in materiaal of uitvoering binnen 3 jaar na de datum van de oorspronkelijke aankoop.

Triton het defecte onderdeel gratis repareert of, naar eigen inzicht, vervangt.

Deze garantie heeft geen betrekking op commercieel gebruik en strekt zich niet uit tot normale slijtage of schade ten gevolge van een ongeluk, verkeerd gebruik of misbruik.

\* Registreer online binnen 30 dagen.

Algemene voorwaarden van toepassing.

## EG-verklaring van overeenstemming

De ondergetekende: Mr. Darrell Morris

Gemachtigd door: Triton

Verklaart dat

Deze verklaring wordt verstrekt onder de volledige verantwoordelijkheid van de fabrikant.

Het hierboven beschreven voorwerp is conform de desbetreffende communautaire harmonisatiewetgeving

Identificatienummer: TMNPL

Beschrijving: 450 W mini schaafmachine

Voldoet aan de volgende richtlijnen:

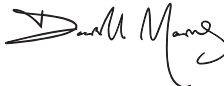
- Machinerichtlijn 2006/42/EG
- Elektromagnetische verenigbaarheid 2014/30/EU
- RoHS-richtlijn 2011/65/EG
- EN 60745-1:2009+A11:2010
- EN 60745-2-14:2009+A2:2010
- EN 55014-1:2006+A2:2011
- EN 55014-2:1997+A2:2008
- EN 61000-3-2:2014
- EN 61000-3-3:2013

Keuringsinstantie: TÜV SÜD

De technische documentatie wordt bijgehouden door: Triton

Datum: 06/07/2017

Handtekening:



Darrell Morris

Algemeen directeur

Naam en adres van fabrikant:

Powerbox International Limited, handelsregister nummer 06897059, Powerbox, Boundary Way, Lufton Trading Estate, Yeovil, Somerset BA22 8HZ, Verenigd Koninkrijk

# Traduction des instructions originales

## Introduction

Nous vous remercions d'avoir choisi cet équipement Triton. Ces instructions contiennent les informations nécessaires pour vous en garantir un fonctionnement efficace et en toute sécurité. Veuillez lire attentivement ce manuel pour vous assurer de tirer pleinement avantage des caractéristiques uniques de votre nouvel équipement.

Gardez ce manuel à portée de main et assurez-vous que tous les utilisateurs l'aient lu et bien compris avant toute utilisation. Conservez-le pour toute référence ultérieure.

## Description des symboles

La plaque signalétique figurant sur votre outil peut présenter des symboles. Ces symboles constituent des informations importantes relatives au produit ou des instructions concernant son utilisation.



Port de protection auditive  
Port de lunettes de sécurité  
Port de masque respiratoire  
Port de casque



Port de gants



Lire le manuel d'instructions



Attention !



**ATTENTION** : les pièces mobiles peuvent occasionner écrasements et coupures.



**ATTENTION** : lames ou dents coupantes !



Ne pas toucher les lames avant que la machine soit débranchée et que les lames soient complètement arrêtées.



Émanation de fumées ou de gaz toxiques !



Débranchez toujours l'appareil avant d'effectuer un réglage, de changer d'accessoire, de le nettoyer, de l'entretenir, ou lorsqu'il n'est plus utilisé !



Pour usage intérieur uniquement !



Construction de classe II (Double isolation pour une protection supplémentaire)



Fusible interne à action différée avec courant nominal de 3,15 A



Conforme à la réglementation et aux normes de sécurité pertinentes.



### Protection de l'environnement

Les appareils électriques usagés ne doivent pas être jetés avec les ordures ménagères. Veuillez les recycler dans les centres prévus à cet effet. Pour de plus amples informations, veuillez contacter votre municipalité ou point de vente.

## Abréviations pour les termes techniques

V	Volt
~, AC	Courant alternatif
A, mA	Ampère, Milliampère
$n_0$	Vitesse à vide
n	Vitesse nominale
opm	battements/oscillations par minute
°	Degrés
Hz	Hertz
≡, DC	Courant continu
W, kW	Watt, Kilowatt
/min or min <sup>-1</sup>	(opérations) par minute
rpm	Tours par minute
dB(A)	Puissance acoustique en décibel (A pondéré)
m/s <sup>2</sup>	Mètres par seconde au carré (magnitude des vibrations)
Ø	Diamètre

## Caractéristiques techniques

Numéro de produit :	TMNPL
Tension d'entrée :	220-240 V~ 50/60 Hz
Puissance :	450 W
Indice de protection :	IP 20
Vitesse à vide :	16 000 tr/min
Coupes par minute :	32 000 /min
Fers :	2 fers réversibles standard de 60 mm
Largeur de rabotage :	60 mm
Plage de profondeur de coupe :	0 – 1,5 mm
Profondeur de rabotage :	8 mm
Sortie gauche ou droite des copeaux :	Droite
Rainures en V pour chanfreiner :	2
Pied de position repos :	Automatique
Longueur du câble d'alimentation :	3 m
Dimensions (L x l x H) :	290 x 130 x 150 mm
Poids :	2,3 kg

### Informations relatives au niveau d'intensité sonore et vibratoire

Pression sonore LPA :	84,7 dB(A)
Puissance sonore LWA :	95,7 dB(A)

Incertitude K :	3 dB
Vibration pondérée ah (poignée principale) :	2,256 m/s <sup>2</sup>
Vibration pondérée ah (poignée auxiliaire) :	3,375 m/s <sup>2</sup>
Incertitude K :	1,5 m/s <sup>2</sup>
L'intensité sonore peut dépasser 85 dB(A) et il est nécessaire que l'utilisateur porte des protections auditives.	
Du fait de l'évolution constante de nos produits, les caractéristiques des produits TRITON peuvent changer sans notification préalable.	

**ATTENTION :** Portez toujours des protections auditives lorsque le niveau d'intensité est supérieur à 85 dB(A) et limitez le temps d'exposition si nécessaire. Si l'intensité sonore devient inconfortable, même avec les protections, arrêtez immédiatement d'utiliser l'appareil, vérifiez que les protections sont bien en places et adaptés avec le niveau sonore produit par l'appareil.

**ATTENTION :** L'exposition de l'utilisateur aux vibrations peut engendrer une perte du toucher, des engourdissements, des picotements et ainsi réduire la capacité de préhension. De longues expositions peuvent également provoquer ces symptômes de façon chronique. Si nécessaire, limitez le temps d'exposition aux vibrations et portez des gants anti-vibrations. N'utilisez pas cet appareil lorsque la température de vos mains est en dessous des températures normales, car l'effet vibratoire en est accentué. Référez-vous au cas de figures des caractéristiques relatives aux vibrations pour calculer le temps et fréquence d'utilisation de l'appareil.

Les niveaux sonores et vibratoires indiqués dans la section « Caractéristiques techniques » du présent manuel sont déterminés en fonction de normes internationales. Ces données correspondent à un usage normal de l'appareil, et ce dans des conditions de travail normales. Un appareil mal entretenu, mal assemblé ou mal utilisé peut augmenter les niveaux sonores et vibratoires. Le site [www.osha.europa.eu](http://www.osha.europa.eu) offre de plus amples informations sur les niveaux sonores et vibratoires sur le lieu de travail, celles-ci pourront être utiles à tout particulier utilisant des outils électriques pendant des périodes prolongées.

## Consignes générales de sécurité

**⚠ AVERTISSEMENT :** Veuillez lire toutes les consignes de sécurité et toutes les instructions. Le non-respect des instructions et consignes de sécurité peut entraîner un risque de décharge électrique, d'incendie et/ou se traduire par des blessures graves.

Veuillez conserver ces instructions et consignes de sécurité pour référence ultérieure.

L'expression « appareil/outil électrique » employée dans les présentes consignes recouvre aussi bien les appareils filaires à brancher sur secteur que les appareils sans fils fonctionnant avec batterie.

### 1. Sécurité sur la zone de travail

a. Maintenir une zone de travail propre et bien éclairée. Des zones encombrées et mal éclairées sont sources d'accidents.

b. Ne pas utiliser d'outils électriques dans des environnements explosifs, tels qu'à proximité de liquides, de gaz ou de poussières inflammables. Les outils électriques produisent des étincelles susceptibles d'enflammer la poussière ou les vapeurs présentes.

c. Éloigner les enfants et toute personne se trouvant à proximité pendant l'utilisation d'un outil électrique. Ceux-ci pourraient vous distraire et vous faire perdre la maîtrise de l'appareil.

### 2. Sécurité électrique

a. Les prises des outils électriques doivent correspondre aux prises du secteur. Ne modifiez jamais la prise en aucune façon. N'utilisez jamais d'adaptateur avec les outils électriques mis à la terre. Des prises non modifiées, adaptées aux boîtiers de prise de courant, réduisent les risques de décharge électrique.

b. Éviter le contact corporel avec les surfaces mises à la terre telles que tuyaux, radiateurs, cuisinières et réfrigérateurs. Le risque de décharge électrique est plus important si votre corps est mis à la terre.

c. Ne pas exposer votre outil électrique à la pluie ou à l'humidité. L'infiltration d'eau dans un outil électrique augmentera le risque de décharge électrique.

d. Ne pas maltraiter le cordon électrique. N'utilisez jamais le cordon électrique pour porter, tirer ou débrancher l'outil électrique. Conservez le cordon électrique à l'écart de la chaleur, de l'essence, de bords tranchants ou de pièces en mouvement. Un cordon électrique endommagé ou entortillé accroît le risque de décharge électrique.

e. Au cas où l'outil électroportatif serait utilisé à l'extérieur, servez-vous d'une rallonge appropriée à une utilisation en extérieur. Cela réduit le risque de décharge électrique.

f. Si une utilisation de l'outil dans un environnement humide ne peut être évitée, utilisez une alimentation protégée par un disjoncteur différentiel. L'utilisation d'un disjoncteur différentiel réduit le risque de décharge électrique.

### 3. Sécurité des personnes

a. Rester vigilant et faire preuve de bon sens lors de la manipulation de l'outil. Ne pas utiliser d'outil électrique en état de fatigue ou sous l'influence de drogues, d'alcool ou de médicaments. Un moment d'inattention pendant l'utilisation d'un outil électrique peut se traduire par des blessures graves.

b. Porter des équipements de protection. Porter toujours des lunettes de protection. Le port d'équipements de protection tels que des masques à poussières, des chaussures de sécurité antidérapantes, un casque de sécurité ou des protections antibruit, selon le travail à effectuer, réduira le risque de blessures aux personnes.

c. Éviter tout démarrage accidentel. S'assurer que l'interrupteur marche-arrêt soit en position d'arrêt (Off) avant de brancher l'outil sur l'alimentation secteur. Porter un outil électrique tout en maintenant le doigt posé sur l'interrupteur ou brancher un outil électrique dont l'interrupteur est sur la position de marche (On) est source d'accidents.

d. Enlever toute clé ou tout instrument de réglage avant de mettre l'outil électrique en marche. Une clé ou un instrument de réglage resté fixé à un élément en rotation de l'outil électrique peut entraîner des blessures physiques.

e. Ne pas essayer d'atteindre une zone hors de portée. Se tenir toujours en position stable et conserver l'équilibre. Cela permet de mieux contrôler l'outil électrique dans des situations inattendues.

f. Porter des vêtements appropriés. Ne pas porter de vêtements amples ou des bijoux pendants. Les vêtements amples, les bijoux pendants ou les cheveux longs peuvent être happés par les pièces en mouvement.

g. Si l'outil est pourvu de dispositifs destinés au raccord d'équipements d'extraction et de récupération de la poussière/sciure, s'assurer qu'ils soient bien fixés et utilisés correctement. L'utilisation de ces dispositifs peut réduire les risques dus à la poussière.

### 4. Utilisation et entretien des outils électriques

a. Ne pas surcharger l'outil électrique. Utiliser l'outil électrique approprié au travail à effectuer. Un outil électrique adapté et employé au rythme pour lequel il a été conçu permettra de réaliser un travail de meilleure qualité et dans de meilleures conditions de sécurité.

b. Ne pas utiliser un outil électrique dont l'interrupteur marche-arrêt est hors service. Tout outil électrique dont la commande ne s'effectue plus par l'interrupteur marche-arrêt est dangereux et doit être réparé.

c. Débrancher l'outil électrique avant d'effectuer tout réglage, changement d'accessoire ou avant de le ranger. De telles mesures préventives réduiront les risques de démarrage accidentel.

d. Ranger les outils électriques inutilisés hors de portée des enfants et ne pas permettre l'utilisation de ces outils aux personnes novices ou n'ayant pas connaissance de ces instructions. Les outils électriques sont dangereux dans les mains d'utilisateurs inexpérimentés.

e. Veiller à l'entretien des outils électriques. Vérifier que les éléments rotatifs soient bien alignés et non grippés. S'assurer de l'absence de pièces cassées ou endommagées susceptibles de nuire au bon fonctionnement de l'outil. Si l'outil électrique est endommagé, le faire réparer avant toute utilisation. De nombreux accidents sont causés par l'utilisation d'outils électriques mal entretenus.

f. Garder les outils de coupe affûtés et propres. Des outils de coupe bien entretenus, aux tranchants bien affûtés, sont moins susceptibles de se gripper et sont plus faciles à contrôler.

g. Utiliser l'outil électrique, les accessoires et les outils à monter, etc., conformément à ces instructions et selon l'utilisation prévue pour le type d'outil donné, en tenant compte des conditions de travail et de la tâche à réaliser. Toute utilisation de cet outil électrique autre que celle pour laquelle il a été conçu peut entraîner des situations à risque et entraînerait une annulation de sa garantie.

### 5. Entretien

a. Ne faire réparer l'outil électrique que par un réparateur qualifié utilisant uniquement des pièces de rechange identiques. Cela permettra d'assurer la sécurité continue de cet outil électrique.

## Consignes de sécurité supplémentaires relatives aux rabots électriques

**⚠ ATTENTION !**

- Attendez que l'outil de coupe soit totalement arrêté avant de le déposer. Un outil de coupe en rotation peut pénétrer la surface et entraîner une perte de contrôle et causer des blessures sérieuses.
- Tenez l'outil par ses surfaces de préhension isolées lorsqu'il y a un risque que l'accessoire de coupe rentre en contact avec des fils électriques cachés ou son propre câble d'alimentation. Lorsqu'un accessoire de coupe rentre en contact avec un fil sous tension les parties métalliques de l'outil peuvent être mises sous tension et exposer l'utilisateur à un choc électrique.
- Immobilisez la pièce de travail sur une surface stable. Maintenir la pièce de travail à la main ou contre le corps peut engendrer une perte de contrôle.
- S'il est nécessaire de remplacer le cordon d'alimentation, cela doit être fait par le fabricant ou un de ses agents agréés pour éviter tout danger.
- Il est fortement recommandé d'alimenter l'outil à travers un disjoncteur différentiel (RCD) dont le courant résiduel nominal est de 30 mA ou moins.



Utilisez une protection respiratoire appropriée : La poussière générée par cet outil peut contenir des produits chimiques connus pour être une cause de cancers, de malformations congénitales ou autres anomalies de la reproduction. Certains bois contiennent des conservateurs tels que l'arséniate de cuivre et de chrome (CCA) qui peut être toxique. Lors du ponçage, perçage et lors de la coupe de ces matériaux, des précautions supplémentaires doivent être prises pour éviter l'inhalation et minimiser les contacts avec la peau.

- Utilisez un instrument spécifiquement conçu pour détecter la présence de raccords électriques ou de tuyauterie dans la surface de travail ou bien adressez-vous à votre fournisseur d'énergie local. Si le fer venait à entrer en contact avec un câble électrique sous tension, cela pourrait entraîner un incendie ou un choc électrique pour l'utilisateur. Tout dommage occasionné sur un tuyau d'alimentation en gaz pourrait être à l'origine d'une explosion. Toute conduite d'eau percée pourrait occasionner des dommages sur votre propriété et constituer un risque de choc électrique.
  - N'essayez pas d'atteindre l'éjecteur de copeaux avec vos mains. Les parties rotatives pourraient vous blesser sérieusement.
  - Il est vivement recommandé de porter un masque à poussières et d'utiliser un système d'extraction des poussières. Les rabots électriques génèrent une quantité importante de poussières et certaines essences de bois produisent des poussières toxiques.
  - N'utilisez que des fers parfaitement aiguisés. Soyez particulièrement attentif lors de la manipulation des fers.
- Vérifiez que la tension de l'outil indiquée sur l'étiquette apposée sur celui-ci est compatible avec la tension de secteur.
  - Assurez-vous que tous les clous, vis, etc. ont été retirés de la surface de travail avant de commencer à raboter. Dans le cas contraire vous risquez d'endommager les fers du rabot, voire même de causer des accidents.
  - Veillez à retirer tous tissus, câbles, ficelles ou tous objets similaires, qui pourraient entraver le bon fonctionnement du mécanisme du rabot.
  - Vérifiez que les boulons de fixation des fers sont bien serrés avant utilisation.
  - Avant d'utiliser l'outil sur une pièce, mettez-le en marche, et laissez-le tourner pendant quelque instants, examinez-le pour relever la présence éventuelle de vibrations ou de jeu, qui indiquerait une mauvaise installation ou un rabot mal équilibré.
  - Laissez le rabot atteindre sa vitesse maximale avant de le mettre en contact avec votre pièce de travail.
  - Tenez l'appareil fermement des deux mains, tenez-le correctement avant de le mettre en marche.
  - Assurez-vous que le rabot soit placé à au moins 200 mm de vous.
  - Attendez que les lames aient atteint leur vitesse maximale avant de commencer à couper.
  - Lors de l'utilisation sur du bois humide, les copeaux risquent de se coincer dans la goulotte. Après avoir débranché l'outil, nettoyez les copeaux avec un bâtonnet l'appareil.
  - Arrêtez TOUJOURS l'outil et laissez les fers s'arrêter complètement avant d'effectuer des réglages, le nettoyage ou l'entretien.
  - Lorsque le rabot n'est plus utilisé ou laissé sans surveillance, débranchez-le de sa source d'alimentation.
  - Pour ranger le rabot, placer la base frontale contre un morceau de bois pour que les fers ne se soient pas en contact avec quelconques surfaces.
  - Remplacez toujours les deux fers en même temps, faute de quoi vous risquez de déséquilibrer l'appareil, en donnant lieu à des vibrations et en risquant de réduire la durée de vie de l'appareil.

## Consignes de sécurité relatives aux outils de coupe

**AVERTISSEMENT :** Avant de brancher l'outil sur l'alimentation de secteur, vérifiez bien que la tension d'alimentation soit la même que celle indiquée sur la plaque signalétique de l'outil. Une alimentation électrique dont la tension est supérieure à celle indiquée sur l'outil risque d'entraîner des blessures chez l'utilisateur et des dommages sur l'outil. En cas de doute, ne branchez pas l'outil. L'utilisation d'une source de courant dont la tension est inférieure à celle indiquée sur l'outil peut endommager le moteur

### Utilisation de l'outil de coupe approprié

- Assurez-vous que votre outil de coupe convient au travail entrepris. Référez-vous toujours à la notice d'utilisation, ne présumez pas qu'un outil est approprié à la tâche sans faire de vérification préalable.

### Protection oculaire

- Portez toujours des protections oculaires appropriés lors de l'utilisation d'outils de coupe.
- Les lunettes ordinaires n'ont pas pour fonction de fournir une protection efficace à l'utilisation de ce produit. Des verres normaux ne résistent pas aux impacts et pourraient éclater.

### Protection auditive

- Portez toujours des protections auditives appropriées lorsque le niveau sonore dépasse 85 dB.

### Protection respiratoire

- Assurez-vous de porter, ainsi que toute personne à proximité, un masque anti-poussières approprié.

## Protection des mains

- Ne placez pas vos mains près des accessoires de coupe. Utilisez un bâton poussoir adapté pour les petites pièces à travailler avec l'outil électroporatif adapté.

## Tenez compte des personnes autour de vous

- Il relève de l'utilisateur de s'assurer que les personnes se trouvant à proximité de la zone de travail ne soient pas exposées à des niveaux sonores dangereux ou à des concentrations de poussières dangereuses et qu'ils disposent de protections appropriés.

## Objets cachés

- Avant d'effectuer une coupe, vérifiez qu'aucun corps étranger ne se trouve dans la pièce de travail.
- Ne coupez aucun matériau comportant des corps étrangers à moins d'être certain que l'accessoire installé sur votre appareil convient à ce travail.
- Des fils électriques et des tuyaux peuvent être dissimulés dans les murs, des durites de carburant peuvent être dissimulés dans les panneaux de carrosserie et l'herbe haute peut dissimuler des pierres et du verre. Vérifiez toujours minutieusement la zone de travail avant de commencer la coupe.

## Attention aux projections de débris

- Dans certains cas, des débris peuvent être projetés de l'outil de coupe à grande vitesse. Assurez-vous qu'aucune autre personne ne se trouve à proximité de la zone de travail. Si la présence d'autres personnes à proximité de la zone de travail est nécessaire, l'utilisateur a la responsabilité de s'assurer qu'elles sont munies d'équipements de protection appropriés.

## Installation d'accessoires de coupe

- Assurez-vous que les accessoires de coupe sont correctement et solidement installés avant utilisation et que les clés ou tout autre outil de réglage ont été retirés.
- Utilisez uniquement des accessoires de coupe recommandés pour votre appareil.
- N'effectuez aucune modification sur l'accessoire.
- Assurez-vous que les lames sont aiguisées, en bon état et correctement installées.
- N'essayez pas d'affûter les lames n'étant pas prévue pour être affûtées, cela peut inclure les lames trempées, ou les lames en alliage trempé, contenant en général du tungstène
- Les lames pouvant être réaffûtées doivent être réaffûtées en suivant les instructions du fabricant de la lame. Cela peut inclure un nombre limité de sessions d'affûtage de la lame.
- Les lames aiguisées devraient être inspectées de plus près avant de les utiliser et remplacer immédiatement si vous avez un doute à propos de son état et sa compatibilité avec la tâche.
- Si la lame rentre en contact avec un objet caché avec lequel elle n'est pas compatible pendant l'utilisation, la lame devrait être remplacée immédiatement.

## Sens d'avancée

- Faites avancer la pièce de travail vers la lame ou la fraise, et ce dans le sens inverse au sens de la lame ou de la fraise.

## Attention à la chaleur

- Sachez que les outils de coupe ainsi que les pièces de travail peuvent chauffer pendant l'utilisation de l'appareil. Ne tentez pas de changer d'accessoire tant que l'appareil n'a pas complètement refroidi.

## Contrôle des poussières/copeaux

- Ne laissez pas poussières ou copeaux de métal s'accumuler. La sciure constitue un risque d'incendie et certains copeaux métalliques sont explosifs.
- Faites particulièrement attention lors de la coupe du bois ou du métal à l'aide de machines électriques. Les étincelles provoquées par la coupe du métal sont une cause courante d'incendie des poussières de bois.
- Lorsque cela est possible, utilisez un système d'extraction de la poussière pour assurer un environnement de travail plus sûr.

## Descriptif du produit

- Bouton de réglage de la profondeur
- Tube d'extraction des copeaux/poussières
- Gâchette marche/arrêt
- Bouton de verrouillage
- Poignée
- Cordon électrique
- Surface arrière de position de repos
- Clé
- Capot de la courroie d'entraînement
- Cache d'accès aux balais de charbon
- Tambour de rabotage
- Fer

13. Point de serrage du fer
14. Boulons du point de serrage du fer
15. Rainures
16. Semelle
17. Sac à poussières/copeaux
18. Courroie d'entraînement

## Usage conforme

Robot électrique manuel de taille compacte pour des tâches d'intensité légère à moyenne de rabotage sur bois denses et tendres, bénéficiant d'un réglage de la profondeur de coupe et de la profondeur de rabotage à 8 mm.

## Déballage

- Déballer le produit avec soin. Veillez à retirer tout le matériel d'emballage et familiarisez-vous avec toutes les caractéristiques du produit.
- Si des pièces sont endommagées ou manquantes, faites-les réparer ou remplacer avant d'utiliser l'appareil.

## Avant utilisation

**⚠ ATTENTION :** Assurez-vous que l'outil est éteint et débranché de la source d'alimentation avant de procéder à la pose ou au retrait d'une lame ou d'un tambour de ponçage, ou de réaliser toute opération de réglage, de nettoyage ou d'entretien.

## Remplacement des fers

- Le robot est équipé de fers réversibles, qui peuvent se retourner lorsqu'un tranchant est émoussé, pour utiliser l'autre tranchant. Une fois que les deux tranchants ont été utilisés, le fer doit être jeté et remplacé.
- Des fers de rechange sont disponibles auprès de votre revendeur Triton.

## Retrait et pose des fers de rabotage

**⚠ ATTENTION :** Les fers sont très tranchants, procédez avec prudence lors de leur manipulation.

- Les fers présentent un tranchant sur chacun de leurs côtés et sont ainsi réversibles. Si un fer est usé ou endommagé sur un de ses tranchants, il est possible de le retourner et de le remonter de manière à exploiter le second tranchant.

**IMPORTANT :** Il est possible de ne remplacer qu'un seul des fers si celui-ci est endommagé. Si le fer est usé, il y aura lieu de remplacer les trois fers du tambour afin d'empêcher un fonctionnement déséquilibré, susceptible d'entraîner une formation dangereuse de vibrations et un endommagement de l'appareil.

- Lors du remplacement des fers, utilisez des fers de dimensions et de poids identiques au risque de créer une oscillation et des vibrations qui entraîneraient un rabotage de mauvaise qualité, voire une défaillance de l'appareil.
- La qualité de la finition repose sur une bonne installation des fers. Enlevez toute accumulation de copeaux et autres corps étrangers du tambour de rabotage ou dispositif de serrage.

1. Faites tourner le tambour de rabotage (11) de manière à ce qu'un fer (12) dépasse et soit accessible.
2. À l'aide de la clé (8) (Fig. I) desserrez les trois boulons du point de serrage du fer (14) (Fig. II) juste assez pour permettre le retrait du fer.
3. Retirez le fer prudemment hors de sa rainure de maintien en vous aidant d'un petit morceau de bois (Fig. III).
4. Faites coulisser le fer (12) dans la rainure du point de serrage du fer (Fig. IV) de manière à ce que la pointe de l'extrémité du fer soit plus proche des rainures (15) et finisse par s'abaisser vers la semelle (16) pour correspondre avec le bord du point de serrage du fer.
5. Assurez-vous que les deux extrémités du fer dépassent de manière égale (Fig. V).
6. Resserrez les trois boulons du point de serrage du fer (Fig. VI).

**Remarque :** N'essayez pas de procéder au réglage du fer à l'aide des vis présentes sur le point de serrage du fer (13) dont l'emplacement a été spécifiquement déterminé au moment de la fabrication de l'appareil.

## Bonne disposition des fers

- Il est essentiel que les fers soient disposés de manière appropriée, faute de quoi l'ouvrage pourrait présenter une finition irrégulière. Pour un rabotage net et régulier, les fers doivent être montés de manière à ce que le tranchant soit absolument parallèle à la surface située à l'arrière de la semelle (16) (Fig. VII).

## Entailles dans la surface

- Le tranchant d'un ou de tous les fers n'est pas parallèle à la surface située à l'arrière de la semelle (Fig. VIII).

## Morsure au démarrage

- Un ou plusieurs fers ne ressortent pas assez par rapport à la surface située à l'arrière de la semelle (Fig. IX).

## Réglage de la profondeur de rabotage

1. Faites tourner le bouton de réglage de la profondeur (1) dans le sens des aiguilles d'une montre pour un rabotage plus profond et dans le sens contraire des aiguilles d'une montre pour un rabotage moins profond.
2. Les indications chiffrées situées sur la bague sur l'embase du bouton de réglage de la profondeur renvoient à la profondeur du rabotage. Par exemple, si l'indicateur situé sur le nez du robot indique le chiffre « 1 » de la bague, la profondeur de rabotage sera d'environ 1 mm.
3. Si un réglage précis de la profondeur de rabotage est crucial, effectuez un rabotage préalable sur une pièce de chute, mesurez la profondeur obtenue et ajustez le réglage de la machine suivant le besoin.

## Utilisation de la surface arrière de position de repos

- La surface arrière de position de repos (7) sert à prévenir tout risque de dommage lorsque vous souhaitez mettre votre appareil de côté pour un moment.
- La surface arrière de position de repos se rétracte automatiquement lorsque l'opération de rabotage est en cours (Fig. X).

## Extraction des copeaux /poussières

**⚠ AVERTISSEMENT :** À chaque utilisation, vous devez impérativement utiliser un aspirateur d'atelier, un système d'extraction des poussières/copeaux ou un sac à poussières/copeaux (17).

- Un aspirateur d'atelier ou un système d'extraction des poussières/copeaux peut être raccordé à la tubulure d'extraction des copeaux/poussières (2) (Fig. XI).
- Autrement, un sac à poussières/copeaux (17) peut également être raccordé à la même tubulure.

**⚠ AVERTISSEMENT :** Vous NE devez EN AUCUN CAS essayer d'éliminer une obstruction au niveau de la tubulure d'extraction des poussières/copeaux alors que les fers et le tambour des fers sont encore en mouvement. Vous devez toujours au préalable prendre soin d'éteindre et de débrancher votre appareil avant de procéder à toute tentative de déblocage.

## Instructions d'utilisation

### Mise en marche et arrêt

**⚠ ATTENTION :** Avant de brancher l'appareil, vérifiez toujours que la gâchette marche-arrêt (3) et que le bouton de verrouillage (4) fonctionnent parfaitement.

1. Branchez l'appareil en insérant le cordon électrique (6) dans une prise secteur.
2. Pour allumer l'appareil, vous devez appuyer sur le bouton de verrouillage (4) tout en appuyant simultanément sur la gâchette marche/arrêt (3).

Remarque : Relâchez le bouton de verrouillage une fois que le robot aura démarré.

3. Pour arrêter l'appareil, relâchez la pression exercée sur la gâchette.

**⚠ ATTENTION :** Gardez à l'esprit que les fers du robot continueront à tourner un bref instant après avoir éteint le robot. Attendez que le moteur soit parvenu à arrêt complet avant de poser l'appareil afin d'éviter tout endommagement des fers du robot ou de la surface.

Si vous souhaitez faire reposer le robot sur le côté, ne le faites pas sur le côté présentant les trous d'aération car ceci favoriserait la pénétration de poussière ou de copeaux dans le moteur.

4. Lorsque le robot doit rester inutilisé pendant une brève période de temps, faites passer le bouton de réglage de la profondeur (1) sur la position « 0 » et faites reposer le nez du robot sur une cale de bois afin de maintenir la base surélevée par rapport à la surface sur laquelle il est posé. Assurez-vous que le pied arrière de position de repos (7) soit sorti pour ainsi protéger les fers.

### Rabotage

**⚠ ATTENTION :** Une vitesse d'avancée trop importante peut entraîner un rabotage de mauvaise qualité et endommager les fers ou le moteur. Une vitesse d'avancée trop lente peut provoquer l'apparition de brûlures ou produire une mauvaise finition. La vitesse d'avancée adéquate dépendra du type de matière à raboter et de la profondeur de rabotage. Entraînez-vous tout d'abord sur un morceau de chute pour établir la vitesse la plus appropriée.

**⚠ ATTENTION :** Tenez toujours le robot à deux mains.

**⚠ ATTENTION :** Dans la mesure du possible, immobilisez toujours la pièce d'ouvrage sur l'établi.

1. Placez la rallonge de la semelle avant à plat sur la pièce d'ouvrage sans que les fers (12) ne soient en contact avec celle-ci.
2. Allumez l'appareil et attendez que les fers aient atteint leur plein régime.
3. Faites doucement avancer le robot, en appliquant une pression sur l'avant de l'appareil au commencement de l'opération, et sur l'arrière de l'appareil vers la fin de la passe.
4. Continuez à faire progresser le robot au-delà du chant de la pièce à raboter sans incliner l'appareil vers le bas.

**Remarque :** Le rabotage s'effectue plus facilement si vous placez la pièce à raboter de manière à ce qu'elle penche vers le bas.

5. La vitesse d'avancée du robot et la profondeur de rabotage sont déterminantes pour la qualité de la finition. Pour un fini grossier, vous pouvez mettre en œuvre un rabotage de grande profondeur, mais pour obtenir une finition nette, il sera nécessaire de réduire la profondeur de rabotage et de faire avancer l'appareil plus lentement.

- Détachez le rabot de la pièce d'ouvrage avant de relâcher la gâchette pour éteindre l'appareil.
- Entre deux passes, vous pourrez faire reposer le rabot sur une surface plane en utilisant la surface arrière de position de repos (7) pour supporter le rabot de manière à ce que les fers soient tenus à l'écart de la surface de la pièce d'ouvrage.

## Chanfreinage

- Pour réaliser un chanfrein, (Fig. XII), placez tout d'abord la rainure en V (15) de la taille qui convient en correspondance avec l'avant de la semelle du rabot sur l'arête de la pièce à chanfreiner.

**Remarque :** Utilisez la rainure en V de plus petite taille pour réaliser un chanfrein peu profond et celle de plus grande taille pour un chanfrein plus profond.

- Allumez le rabot et passez-le le long du bord du coin.

**IMPORTANT :** Commencez toujours par effectuer un test sur une chute de matériau.

- Détachez le rabot de la pièce d'ouvrage avant de relâcher la gâchette pour éteindre l'appareil.

## Accessoires

- Une gamme élargie d'accessoires est disponible auprès de votre revendeur Triton, comprenant par exemple de nombreux types de lames, dispositifs de serrage et équipements de protection individuelle.
- Des pièces de rechange peuvent être commandées sur [toolsparsonline.com](http://toolsparsonline.com)

## Entretien

**ATTENTION :** Assurez-vous toujours que l'appareil soit éteint et débranché avant de procéder à tout réglage ou toute opération d'entretien.

### Inspection générale

- Vérifiez régulièrement que toutes les vis de fixations soient toujours bien serrées. Elles peuvent devenir lâches au cours du temps à cause des vibrations.
- Vérifiez le câble d'alimentation de l'appareil avant chaque utilisation, à la recherche de tout signe de dommage ou d'usure. Ceci s'applique également pour les rallonges utilisées avec cet appareil.
- Pour éviter tout risque d'accident, toute réparation nécessaire doit être réalisée uniquement par le fabricant ou auprès d'un centre agréé.

### Remplacement de la courroie d'entraînement

- Il est recommandé de porter des gants de cuir lors du changement de la courroie pour vous prémunir de tout contact avec les fers.
- Pour remplacer la courroie d'entraînement (18), retirez tout d'abord les trois vis cruciformes maintenant le capot protégeant la courroie d'entraînement (9).
  - Retirez la courroie usée/endommagée puis nettoyez les roues et l'intérieur au moyen d'une brosse souple.

**Remarque :** Portez des lunettes de protection lors de cette opération de nettoyage.

- Placez la courroie neuve sur la roue inférieure. Montez partiellement l'autre extrémité de la courroie sur la roue supérieure puis amenez la courroie à prendre sa place définitive en faisant tourner la roue.
- Vérifiez que la courroie tourne de façon régulière en l'actionnant à la main.
- Reinstallez le capot et les vis de fixation.
- Branchez l'appareil puis mettez le rabot en marche une minute ou deux pour vous assurer que le moteur et la courroie fonctionnent correctement.

## Remplacement des balais de charbon

- Il est recommandé de porter des gants de cuir lors du remplacement des balais de charbon pour vous prémunir de tout contact avec les fers.
- Pour remplacer les balais de charbon, retirez tout d'abord les trois vis cruciformes maintenant le cache d'accès spécialement prévu (10) pour accéder aux balais.
  - Débranchez les fils retenant les balais (Image A).
  - À l'aide d'un tournevis, poussez sur le logement des balais pour le faire sortir de son positionnement (Image B).
  - Servez-vous d'un tournevis à pointe plate pour ouvrir le petit volet rabattable présent sur le logement des balais de charbon (Image C) puis, retirez le balai de charbon.
  - Insérez le balai de charbon neuf dans le logement. Assurez-vous qu'il soit bien installé en veillant à ce que la rainure présente sur le balai soit bien du même côté que l'indentation d'alignement (Image E).
  - Poussez le ressort du balai à l'intérieur du logement et refermez le volet rabattable (Image F).
  - Remettez le logement pourvu du nouveau balai dans son positionnement initial et rebranchez les fils.
  - Remettez le cache et les vis pour le maintenir en place.

## Nettoyage

**AVERTISSEMENT :** Portez TOUJOURS un équipement de protection avec des lunettes de protection ainsi que des gants adaptés lorsque vous nettoyez cet outil.

- Gardez l'appareil propre en permanence. La poussière et la saleté peuvent provoquer l'usure prématurée des éléments internes et réduisent la durée de vie de l'appareil.
  - Nettoyez le boîtier de la machine à l'aide d'une brosse souple ou d'un chiffon sec.
- N'utilisez jamais d'agents caustiques sur les parties plastiques. Si un nettoyage sec ne suffit pas, il est recommandé d'utiliser un détergent doux sur un chiffon humide.
- L'appareil ne doit jamais être mis en contact avec de l'eau.
  - Assurez-vous que l'appareil soit complètement sec avant de l'utiliser.
  - Si vous en avez la possibilité, nettoyez les orifices de ventilation à l'air comprimé propre et sec (le cas échéant).

## Lubrification

- Lubrifiez régulièrement les parties mobiles avec un vaporisateur de lubrifiant approprié.

## Entreposage

- Ranger cet outil dans un endroit sûr, sec et hors de portée des enfants.
- À ranger à l'abri de la lumière directe du soleil.

## Traitement des déchets

Lorsque l'appareil n'est plus en état de fonctionner et qu'il n'est pas réparable, recyclez l'appareil conformément aux réglementations nationales.

- Ne jetez pas les outils électriques, batteries et autres équipements électriques ou électroniques (DEEE) avec les ordures ménagères.
- Contactez les autorités locales compétentes en matière de gestion des déchets pour vous informer de la procédure à suivre pour recycler les outils électriques.

## Garantie

Pour valider votre garantie, rendez-vous sur notre site internet [tritontools.com](http://tritontools.com)\* et saisissez vos coordonnées.

Vos coordonnées seront introduites dans notre liste de diffusion (sauf indication contraire) afin de vous informer de nos prochaines nouveautés. Les informations que vous nous fournirez ne seront pas communiquées à des tiers.

## Pense-bête

Date d'achat : \_\_\_/\_\_\_/\_\_\_

Modèle: TMNPL

Veillez conserver votre ticket de caisse comme preuve d'achat.

## Déclaration de conformité CE

Le soussigné : M. Darrell Morris

Autorisé par : Triton

Déclare que :

La présente déclaration est établie sous la responsabilité exclusive du fabricant.

La présente déclaration de conformité est rédigée conformément à la législation d'harmonisation de l'Union Européenne pertinente

Déclare que le produit :

Code d'identification : TMNPL

Description : Rabot électrique compact 450 W

Est conforme aux directives suivantes :

- Directive sur les machines 2006/42/CE
- Directive sur la compatibilité électromagnétique 2014/30/UE
- Directive RoHS 2011/65/UE
- EN 60745-1:2009+A11:2010
- EN 60745-2-14:2009+A2:2010
- EN 55014-1:2006+A2:2011
- EN 55014-2:1997+A2:2008
- EN 61000-3-2:2014
- EN 61000-3-3:2013

Si toute pièce de ce produit s'avérait défectueuse du fait d'un vice de fabrication ou de matériau dans les 12 MOIS suivant la date d'achat, Triton Precision Power Tools s'engage auprès de l'acheteur de ce produit à réparer ou, à sa discrétion, à remplacer gratuitement la pièce défectueuse.

Cette garantie ne s'applique pas à l'utilisation commerciale et ne s'étend pas non plus à l'usure normale ou aux dommages causés par des accidents, des mauvais traitements ou une utilisation non conforme de votre appareil.

\* Enregistrez votre produit en ligne dans les 30 jours suivant la date d'achat.

Offre soumise à conditions.

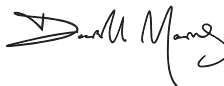
Ceci n'affecte pas vos droits statutaires.

Organisme notifié : TÜV SÜD

La documentation technique est conservée par : Triton

Date : 06/07/2017

Signature :



M. Darrell Morris

Directeur général

Nom et adresse du fabricant ou de son représentant agréé :

Powerbox International Limited, entreprise enregistrée sous le numéro 06897059.

Powerbox, Boundary Way, Lufton Trading Estate, Yeovil, Somerset, BA22 8HZ, Royaume Uni.

# Übersetzung der Originalbetriebsanleitung

## Einführung

Vielen Dank, dass Sie sich für dieses Triton-Werkzeug entschieden haben. Diese Anleitung enthält wichtige Informationen für das sichere und effektive Arbeiten mit diesem Produkt. Bitte lesen Sie diese Anleitung sorgfältig durch, um den größtmöglichen Nutzen aus dem einzigartigen Design dieses Produkts ziehen zu können. Bewahren Sie diese Anleitung griffbereit auf und sorgen Sie dafür, dass alle Benutzer dieses Geräts sie gelesen und verstanden haben.

## Symbolerklärung

Auf dem Typenschild des Werkzeugs sind möglicherweise Symbole abgebildet. Sie vermitteln wichtige Informationen über das Produkt oder dienen als Gebrauchsanweisung.



Gehörschutz tragen  
Augenschutz tragen  
Atemschutz tragen  
Kopfschutz tragen



Schutzhandschuhe tragen



Bedienungsanleitung sorgfältig lesen



Achtung, Gefahr!



**WARNING!** Risiko von Quetsch- und Schnittverletzungen durch bewegliche Teile!



**WARNING!** Scharfe Sägeblätter/-zähne!



Messer erst berühren, wenn das Gerät vom Stromnetz getrennt ist und die Messer zum völligen Stillstand gekommen sind.



Giftige Dämpfe oder Gase!



Vor Einstellungsänderungen, Zubehörwechseln, Reinigungs- und Instandhaltungsarbeiten sowie bei Nichtgebrauch stets von der Spannungsversorgung trennen!



Nur für den Innengebrauch!



Schutzklasse II (doppelt isoliert)



Interne träge Sicherung mit 3,15 A Nennstrom



Erfüllt die einschlägigen Rechtsvorschriften und Sicherheitsnormen



**Umweltschutz**  
Elektroaltgeräte dürfen nicht über den Haushaltsmüll entsorgt werden. Nach Möglichkeit bitte über entsprechende Einrichtungen entsorgen. Lassen Sie sich bezüglich der sachgemäßen Entsorgung von Elektrowerkzeugen von der zuständigen

## Verzeichnis der technischen Symbole und Abkürzungen

V	Volt
~, AC	Wechselstrom
A, mA	Ampere, Milliampere
n <sub>0</sub>	Leerlaufdrehzahl
n	Nenn Drehzahl
Oszt./Min.	Oszillationen pro Minute
°	Grad
Hz	Hertz
==, DC	Gleichstrom
W, kW	Watt, Kilowatt
/min oder min <sup>-1</sup>	Umdrehungen pro Minute
dB(A)	Schallpegel in Dezibel (A-bewertet)
m/s <sup>2</sup>	Quadratmeter pro Sekunde (Schwingungsstärke)
Ø	Durchmesser

## Technische Daten

Modellbezeichnung	TMNPL
Eingangsspannung	230–240 V~, 50/60 Hz
Leistung	450 W
Schutzart	IP 20
Leerlaufdrehzahl	16.000 min <sup>-1</sup>
Hobelmesser	2 Standard-Wendmesser, 60 mm breit
Hobelbreite	60 mm
Spantiefe	0–1,5 mm
Falztiefe	8 mm
Spanauswurf	rechts
Anzahl V-Nuten	2
Parkschuh	Automatisch
Netzkabellänge	3 m
Abmessungen (L x H x B)	290 x 150 x 130 mm
Gewicht	2,3 kg



## Geräusch- und Vibrationsinformationen

Schalldruckpegel $L_{pA}$	84,7 dB(A)
Schalleistungspegel $L_{WA}$	95,7 dB(A)
Unsicherheit K	3 dB(A)
Hand-Arm-Vibration $a_h$ (Hauptgriff)	2,256 m/s <sup>2</sup>
Hand-Arm-Vibration $a_h$ (Zusatzgriff)	3,375 m/s <sup>2</sup>
Unsicherheit K	1,5 m/s <sup>2</sup>

Aufgrund der fortlaufenden Weiterentwicklung unserer Produkte können sich die technischen Daten von Triton-Produkten ohne vorherige Ankündigung ändern.

Der Schallintensitätspegel kann für den Bediener 85 dB(A) übersteigen und Lärmschutzmaßnahmen sind notwendig.

**WARNUNG!** Tragen Sie in Bereichen, in denen der Lärmpegel 85 dB(A) überschreitet, unbedingt angemessenen Gehörschutz und begrenzen Sie nach Möglichkeit die Belastungsdauer. Sollte trotz Gehörschutz Unbehagen irgendeiner Art auftreten, beenden Sie die Arbeit unverzüglich und überprüfen Sie den Gehörschutz auf korrekten Sitz und Funktion und stellen Sie sicher, dass dieser einen angemessenen Schutz für den Lärmpegel bietet, der von den verwendeten Werkzeugen ausgeht.

**WARNUNG!** Bei der Benutzung mancher Werkzeuge wird der Benutzer Vibrationen ausgesetzt, welche zum Verlust des Tastsinns, zu Taubheitsgefühl, Kribbeln und zu einer Verminderung der Handgrieffkraft führen können. Langfristige Belastung kann zu chronischen Beschwerden führen. Begrenzen Sie, falls nötig, die Exposition zu Vibrationen und tragen Sie vibrationsmindernde Handschuhe. Verwenden Sie dieses Werkzeug nicht mit kalten Händen, da Vibrationen bei Temperaturen unter dem individuellen Komfortbereich eine stärkere Wirkung zeigen. Beurteilen Sie die Vibrationsbelastung unter Zuhilfenahme der Technischen Daten des jeweiligen Werkzeuges und bestimmen Sie die zulässige Belastungsdauer und -häufigkeit.

Die in den Technischen Daten angegebenen Geräusch- und Vibrationsinformationen werden nach internationalen Standards bestimmt. Die angegebenen Werte beziehen sich auf eine normale Benutzung des Werkzeuges unter normalen Arbeitsbedingungen. Schlecht gewartete, inkorrekt montierte und unsachgemäß verwendete Werkzeuge können erhöhte Schallpegel und Vibrationswerte aufweisen. Weitere Informationen zur EU-Vibrationsrichtlinie und zu Schall- sowie Vibrationsbelastungen, die auch für Heimverwender relevant sein können, finden Sie auf den Seiten der Europäischen Agentur für Sicherheit und Gesundheitsschutz am Arbeitsplatz: [www.osha.europa.eu](http://www.osha.europa.eu).

## Allgemeine Sicherheitshinweise für Elektrowerkzeuge

**⚠️ WARNUNG!** Lesen Sie alle Sicherheitshinweise und Anweisungen. Versäumnisse bei der Einhaltung der Sicherheitshinweise und Anweisungen können elektrischen Schlag, Brand und/oder schwere Verletzungen verursachen.

Bewahren Sie alle Sicherheitshinweise und Anweisungen für die Zukunft auf.

Der in den Sicherheitshinweisen verwendete Begriff „Elektrowerkzeug“ bezieht sich auf netzbetriebene Elektrowerkzeuge (mit Netzkabel) und auf akkubetriebene Elektrowerkzeuge (ohne Netzkabel).

### 1) Arbeitsplatzsicherheit

- Halten Sie Ihren Arbeitsbereich sauber und gut beleuchtet. Unordnung oder unbeluchtete Arbeitsbereiche können zu Unfällen führen.
- Arbeiten Sie mit dem Elektrowerkzeug nicht in explosionsgefährdeter Umgebung, in der sich brennbare Flüssigkeiten, Gas oder Stäube befinden. Elektrowerkzeuge erzeugen Funken, die den Staub oder die Dämpfe entzünden können.
- Halten Sie Kinder und andere Personen während der Benutzung des Elektrowerkzeugs fern. Bei Ablenkung können Sie die Kontrolle über das Gerät verlieren.

### 2) Elektrische Sicherheit

- Der Anschlussstecker des Elektrowerkzeuges muss in die Steckdose passen. Der Stecker darf in keiner Weise verändert werden. Verwenden Sie keine Adapterstecker gemeinsam mit geschützten Elektrowerkzeugen. Unveränderte Stecker und passende Steckdosen verringern das Risiko eines elektrischen Schlages.
- Vermeiden Sie Körperkontakt mit geerdeten Oberflächen wie von Rohren, Heizungen, Herden und Kühlschränken. Es besteht ein erhöhtes Risiko durch elektrischen Schlag, wenn Ihr Körper geerdet ist.
- Halten Sie Elektrowerkzeuge von Regen oder Nässe fern. Das Eindringen von Wasser in ein Elektrowerkzeug erhöht das Risiko eines elektrischen Schlages.
- Zweckentfremden Sie das Kabel nicht, um das Elektrowerkzeug zu tragen, aufzuhängen oder um den Stecker aus der Steckdose zu ziehen. Halten Sie das Kabel fern von Hitze, Öl, scharfen Kanten oder sich bewegenden Geräteteilen. Beschädigte oder verwickelte Kabel erhöhen das Risiko eines elektrischen Schlages.
- Wenn Sie mit einem Elektrowerkzeug im Freien arbeiten, verwenden Sie nur Verlängerungskabel, die auch für den Außenbereich geeignet sind. Die Anwendung eines für den Außenbereich geeigneten Verlängerungskabels verringert das Risiko eines elektrischen Schlages.
- Wenn der Betrieb des Elektrowerkzeuges in feuchter Umgebung nicht vermeidbar ist, verwenden Sie einen Fehlerstromschutzschalter. Der Einsatz eines

Fehlerstromschutzschalters vermindert das Risiko eines elektrischen Schlages.

### 3) Sicherheit von Personen

- Seien Sie aufmerksam, achten Sie darauf, was Sie tun, und gehen Sie mit Vernunft an die Arbeit mit einem Elektrowerkzeug. Benutzen Sie kein Elektrowerkzeug, wenn Sie müde sind oder unter dem Einfluss von Drogen, Alkohol oder Medikamenten stehen. Ein Moment der Unachtsamkeit beim Gebrauch des Elektrowerkzeuges kann zu ernsthaften Verletzungen führen.
- Tragen Sie persönliche Schutzausrüstung und immer eine Schutzbrille. Das Tragen persönlicher Schutzausrüstung, wie Staubmaske, rutschfeste Sicherheitsschuhe, Schutzhelm oder Gehörschutz, je nach Art und Einsatz des Elektrowerkzeuges, verringert das Risiko von Verletzungen.
- Vermeiden Sie eine unbeabsichtigte Inbetriebnahme. Vergewissern Sie sich, dass das Elektrowerkzeug ausgeschaltet ist, bevor Sie es an die Stromversorgung und/oder den Akku anschließen, es aufnehmen oder tragen. Wenn Sie beim Tragen des Elektrowerkzeuges den Finger am Schalter haben oder das Gerät eingeschaltet an die Stromversorgung anschließen, kann dies zu Unfällen führen.
- Entfernen Sie Einstellwerkzeuge oder Schraubenschlüssel, bevor Sie das Elektrowerkzeug einschalten. Ein Werkzeug oder Schlüssel, der sich in einem drehenden Geräteteil befindet, kann zu Verletzungen führen.
- Vermeiden Sie eine unnatürliche Körperhaltung. Sorgen Sie für einen sicheren Stand und halten Sie jederzeit das Gleichgewicht. Auf diese Weise lässt sich das Elektrowerkzeug in unerwarteten Situationen besser kontrollieren.
- Tragen Sie geeignete Kleidung. Tragen Sie keine weite Kleidung oder Schmuck. Halten Sie Haare, Kleidung und Handschuhe fern von sich bewegenden Teilen. Lockere Kleidung, Schmuck oder lange Haare können von sich bewegenden Teilen erfasst werden.
- Wenn Staubabsaug- und -auffangeinrichtungen montiert werden können, vergewissern Sie sich, dass diese angeschlossen sind und richtig verwendet werden. Verwendung einer Staubabsaugung kann Gefährdungen durch Staub verringern.
- Vernachlässigen Sie bei häufiger Arbeit mit Elektrowerkzeugen trotz der Vertrautheit mit den Geräten nicht die Sicherheitsprinzipien. Fahrlässiges Handeln kann in Sekundenbruchteilen zu schwersten Verletzungen führen.
- Verwendung und Behandlung des Elektrowerkzeuges
  - Überlasten Sie das Gerät nicht. Verwenden Sie für Ihre Arbeit das dafür bestimmte Elektrowerkzeug. Mit dem passenden Elektrowerkzeug arbeiten Sie besser und sicherer im angegebenen Leistungsbereich.
  - Benutzen Sie kein Elektrowerkzeug, dessen Schalter defekt ist. Ein Elektrowerkzeug, das sich nicht mehr ein- oder ausschalten lässt, ist gefährlich und muss repariert werden.
  - Ziehen Sie den Stecker aus der Steckdose und/oder entfernen Sie den Akku, bevor Sie Geräteeinstellungen vornehmen, Zubehörteile wechseln oder das Gerät weglegen. Diese Vorsichtsmaßnahme verhindert den unbeabsichtigten Start des Elektrowerkzeuges.
  - Bewahren Sie unbenutzte Elektrowerkzeuge außerhalb der Reichweite von Kindern auf. Lassen Sie Personen das Gerät nicht benutzen, die mit diesem nicht vertraut sind oder diese Anweisungen nicht gelesen haben. Elektrowerkzeuge sind gefährlich, wenn sie von unerfahrenen Personen benutzt werden.
  - Pflegen Sie Elektrowerkzeuge mit Sorgfalt. Kontrollieren Sie, ob bewegliche Teile einwandfrei funktionieren und nicht klemmen, ob Teile gebrochen oder so beschädigt sind, dass die Funktion des Elektrowerkzeuges beeinträchtigt ist. Lassen Sie beschädigte Teile vor dem Einsatz des Gerätes reparieren. Viele Unfälle haben ihre Ursache in schlecht gewarteten Elektrowerkzeugen.
  - Halten Sie Schneidwerkzeuge scharf und sauber. Sorgfältig gepflegte Schneidwerkzeuge mit scharfen Schneidkanten verklemmen sich weniger und sind leichter zu führen.
  - Verwenden Sie Elektrowerkzeug, Zubehör, Einsatzwerkzeuge usw. entsprechend diesen Anweisungen. Berücksichtigen Sie dabei die Arbeitsbedingungen und die auszuführende Tätigkeit. Der Gebrauch von Elektrowerkzeugen für andere als die vorgesehenen Anwendungen kann zu gefährlichen Situationen führen.
  - Halten Sie Griffe und Griffflächen trocken, sauber und frei von Fett und Öl. Rutschige Hände und Griffflächen machen die sichere Handhabung des Werkzeugs in unvorhergesehenen Situationen unmöglich.
- Service
  - Lassen Sie Ihr Elektrowerkzeug nur von qualifiziertem Fachpersonal und nur mit Original-Ersatzteilen reparieren. Damit wird sichergestellt, dass die Sicherheit des Elektrowerkzeuges erhalten bleibt.

## Zusätzliche Sicherheitshinweise für Elektrohubel

**⚠️ WARNUNG!**

- Warten Sie den Stillstand der Messerwelle ab, bevor Sie das Elektrowerkzeug ablegen. Eine freilegende rotierende Messerwelle kann sich mit der Oberfläche verhaken und zum Verlust der Kontrolle sowie schweren Verletzungen führen.
- Halten Sie das Elektrowerkzeug nur an den isolierten Griffflächen, da die Messerwelle das eigene Netzkabel treffen kann. Der Kontakt mit einer spannungsführenden Leitung kann auch metallene Geräteteile unter Spannung setzen und zu einem elektrischen Schlag führen.
- Befestigen und sichern Sie das Werkstück mittels Zwingen oder auf andere Art und Weise an einer stabilen Unterlage. Wenn Sie das Werkstück nur mit der Hand oder gegen Ihren Körper halten, bleibt es instabil, was zum Verlust der Kontrolle führen kann.

DE

- Falls das Netzkabel ersetzt werden muss, darf dies nur durch den Hersteller oder seinen Vertreter erfolgen, um Sicherheitsrisiken zu vermeiden.
- Es wird dringend empfohlen, dieses Gerät nur unter Verwendung einer Fehlerstromschutzvorrichtung (FI-Schalter) mit einem Bemessungsfehlerstrom von höchstens 30 mA an die Spannungsversorgung anzuschließen.



#### VORSICHT!

- **Angemessenen Atemschutz verwenden:** Bei der Arbeit mit diesem Gerät kann Staub entstehen, der als krebserregend und geburts- bzw. fortpflanzungsschädigend eingestuft Chemikalien enthält. Das zu bearbeitende Holz kann mit dem Giftstoff Kupfer-Chrom-Arsen (CCA) behandelt worden sein. Beim Abschleifen, Bohren und Schneiden derartiger Materialien das Einatmen von Staub sowie Hautkontakt unbedingt vermeiden.
- **Verwenden Sie geeignete Suchgeräte, um verborgene Versorgungsleitungen aufzuspüren, oder ziehen Sie die örtliche Versorgungsgesellschaft hinzu.** Kontakt mit Elektroleitungen kann zu Feuer und elektrischem Schlag führen. Beschädigung einer Gasleitung kann zur Explosion führen. Eindringen in eine Wasserleitung verursacht Sachbeschädigung oder kann einen elektrischen Schlag verursachen.
- **Greifen Sie nicht mit den Händen in den Spanauswurf.** Sie können sich an rotierenden Teilen verletzen.
- **Zum Schutz des Bedieners vor Staub werden die Verwendung einer Staubschutzmaske und einer Absauganlage während der Arbeit dringend empfohlen.** Elektrohobel erzeugen große Staubmengen und bei der Bearbeitung bestimmter Werkstoffe entsteht giftiger Staub.
- **Nur scharfe Hobelmesser verwenden.** Bei der Handhabung der Messer große Vorsicht walten lassen.
- a) **Überprüfen Sie, dass die auf dem Typenschild angegebene Spannung der Netzspannung entspricht.**
- b) **Vergewissern Sie sich, dass sämtliche Nägel, Schrauben usw. aus dem Werkstück entfernt worden sind, bevor Sie mit der Hobelanwendung beginnen.** Andernfalls können der Hobel oder das Hobelmesser beschädigt werden und dadurch ein Sicherheitsrisiko entstehen.
- c) **Stellen Sie sicher, dass sämtliche Lappen, Tücher, Schnüre usw. aus dem Arbeitsbereich entfernt worden sind, um zu verhindern, dass sich diese im Hobel verfangen.**
- d) **Stellen Sie vor Gebrauch sicher, dass die Messerschrauben fest angezogen sind.**
- e) **Schalten Sie den Hobel ein und lassen Sie ihn eine Zeitlang laufen, bevor Sie mit der Bearbeitung des Werkstückes beginnen.** Achten Sie dabei auf übermäßige Vibrationen und unruhiges Laufen, da dies auf inkorrekte Montage bzw. ein unausgewichtetes Messer hinweisen kann.
- f) **Warten Sie, bis der Hobel seine volle Drehzahl erreicht hat, bevor Sie ihn auf das Werkstück setzen und die Hobelanwendung beginnen.**
- g) **Führen Sie den Hobel bei der Arbeit stets mit beiden Händen.**
- h) **Stellen Sie sicher, dass sich der Hobel während der gesamten Anwendung mindestens 20 cm von Ihrem Gesicht und Körper entfernt befindet.**
- i) **Warten Sie, bis das Messer seine volle Geschwindigkeit erreicht hat, bevor Sie die Hobelanwendung beginnen.**
- j) **Beim Hobeln von feuchtem Holz kann die Spanauswurföffnung verstopfen.** Schalten Sie das Gerät in diesem Fall aus, ziehen Sie den Netzstecker und entfernen Sie die Späne mit einem Holzstab. Berühren Sie die Spanauswurföffnung niemals mit den Fingern!
- k) **Schalten Sie das Gerät stets aus und lassen Sie es zum vollständigen Stillstand kommen, bevor Sie Einstellungsänderungen oder Wartungs- und Reinigungsarbeiten vornehmen.**
- l) **Ziehen Sie stets den Netzstecker, wenn Sie den Hobel unbeaufsichtigt lassen.**
- m) **Wenn der Hobel nicht verwendet wird, ziehen Sie den Netzstecker und setzen Sie den Hobel mit dem vorderen Bereich der Hobelsohle auf ein Stück Holz, damit das Messer keine empfindlichen Flächen berührt.**
- n) **Wechseln Sie alle Messer gleichzeitig aus, da das Austauschen einzelner Messer zu Unwucht und ungleichmäßigem Lauf führt, was die Standzeit von Messern und Hobel verkürzt.**

## Zusätzliche Sicherheitshinweise für Schneidwerkzeuge

**WARNUNG!** Stellen Sie vor Anschluss eines Werkzeugs an eine Stromquelle (Steckdose, Stromanschluss usw.) sicher, dass die Netzspannung der auf dem Typenschild des Werkzeugs angegebenen Spannung entspricht. Eine Stromquelle mit einer höheren Spannung als der für das Werkzeug spezifizierten Spannung kann zu schweren Verletzungen des Bedieners sowie Beschädigung des Werkzeugs führen. Schließen Sie das Werkzeug im Zweifelsfall nicht an. Eine niedrigere Spannung als auf dem Leistungsschild angegeben schadet dem Motor.

### Korrektes Schneidwerkzeug verwenden

- Vergewissern Sie sich, dass sich das Schneidwerkzeug für die auszuführende Aufgabe

eignet. Ziehen Sie vor Gebrauch immer die Produktliteratur heran und gehen Sie nicht ohne Überprüfung davon aus, dass das Werkzeug für die Anwendung geeignet ist.

### Augen schützen

- Tragen Sie bei Verwendung von Schneidwerkzeugen immer angemessenen Augenschutz.
- Gewöhnliche Brillen sind als Augenschutz bei Verwendung dieses Werkzeugs nicht ausreichend. Normale Brillengläser sind nicht schlagfest und könnten zersplittern.

### Gehör schützen

- Bei Werkzeugschallpegeln über 85 dB immer geeigneten Gehörschutz tragen.

### Atemwege schützen

- Sorgen Sie dafür, dass Sie selbst und Umstehende geeignete Staubschutzmasken tragen.

### Hände schützen

- Halten Sie die Hände von Schneidwerkzeugen fern. Verwenden Sie für kürzere Werkstücke einen entsprechend geeigneten Schiebepack, wenn dies der Art des Elektrowerkzeugs vereinbar ist.

### Auf Umstehende achten

- Es liegt in der Verantwortung des Bedieners, dass andere Personen im Arbeitsbereich keinen gefährlichen Schallpegeln oder Staub ausgesetzt werden. Sorgen Sie dafür, dass diesen Personen geeignete Schutzaurüstung zur Verfügung steht.

### Nicht sichtbare Gegenstände

- Untersuchen Sie das Werkstück vor Arbeitsbeginn gründlich auf Nägel und andere Fremdkörper und entfernen Sie diese.
- Bearbeiten Sie keine Werkstücke, die Fremdkörper enthalten, es sei denn, Sie sind sicher, dass sich der Schneideinsatz am Gerät für die Aufgabe eignet.
- In Wänden können sich verdeckte Drähte und Leitungen befinden, in Karosserieteilen können versteckte Kraftstoffleitungen verlaufen und in hohem Gras können Steine oder Glas vorhanden sein. Überprüfen Sie vor Arbeitsbeginn immer zunächst gründlich den Arbeitsbereich.

### Auf geschleuderten Verschnitt achten

- In einigen Situationen können Verschnittstücke mit hoher Geschwindigkeit vom Schneidwerkzeug weggeschleudert werden. Es liegt in der Verantwortung des Bedieners, für den Schutz anderer, im Arbeitsbereich befindlicher Personen vor katastrophalem Ausschussmaterial zu sorgen.

### Einsetzen von Zubehör

- Vergewissern Sie sich vor Gebrauch, dass das Schneidzubehör ordnungsgemäß und fest eingesetzt wurde. Prüfen Sie vor Gebrauch, dass Schraubschlüssel und Einstellwerkzeuge entfernt wurden.
- Verwenden Sie nur für das Gerät empfohlenes Zubehör.
- Versuchen Sie nicht, das Gerät oder sein Zubehör zu modifizieren.
- Vergewissern Sie sich das Schneiden scharf, in einem guten Zustand und richtig installiert sind.
- Schärfen Sie keine Schneiden die sich nicht zum Schärfen eignen. Dies können Schneiden aus gehärtetem Stahl oder aus gehärteten Legierungen die Wolframkarbid beinhalten sein.
- Schneide die geschärft werden können, müssen gemäß der Anleitung des Herstellers geschärft werden. Hier kann die Häufigkeit des Schärfens eingeschränkt sein.
- Geschärfte Schneiden müssen sorgfältig überprüft werden, bevor diese eingesetzt werden können und müssen sofort ausgewechselt werden, sollte es Zweifel über deren Zustand oder Eignung geben.
- Im Fall das Schneiden auf eingebettete Gegenstände treffen für die sie nicht geeignet sind, müssen diese sofort ausgewechselt werden.

### Vorsichtsrichtung

- Führen Sie das Werkstück dem Sägeblatt oder Schneideinsatz nur gegen die Bewegungsrichtung von Sägeblatt oder Schneideinsatz zu.

### Vorsicht vor Hitzebildung

- Beachten Sie, dass Schneidwerkzeuge und Werkstücke während des Gebrauchs heiß werden können. Versuchen Sie nicht, Werkzeuge auszutauschen, bevor sie völlig abgekühlt sind.

### Abfallstoffe kontrollieren

- Achten Sie darauf, dass sich keine Späne oder Staub ansammeln. Sägemehl stellt eine Brandgefahr dar und einige Metallspäne sind explosionsgefährlich.

- Lassen Sie bei Geräten zum Sägen von Holz und Metall besondere Vorsicht walten. Funken infolge von Metallschlägen sind eine häufige Ursache für Holzstaubfeuer.
- Verwenden Sie nach Möglichkeit ein Staubabsaugsystem, um eine sicherere Arbeitsumgebung zu gewährleisten.

## Geräteübersicht

1. Drehknopf zur Spantiefeneinstellung
2. Staub-/Spanabsauganschluss
3. Ein-/Ausschalter
4. Einschaltsperr
5. Handgriff
6. Netzkabel
7. Hinterer Parkschuh
8. Schraubenschlüssel
9. Antriebsriemenabdeckung
10. Kohlebürstenskappen
11. Hobelkopf
12. Hobelmesser
13. Messerhalterung
14. Messerhalterungsschrauben
15. V-Nuten
16. Hobelsohle
17. Staub-/Spänefangsack
18. Antriebsriemen

## Bestimmungsgemäße Verwendung

Kompakter Elektro-Handhobel für leichte bis mittlere Holzanwendungen mit einstellbarer Spantiefe und unbegrenzter Falztiefe. Zur Bearbeitung von Hart- und Weichholz geeignet.

## Auspacken des Gerätes

- Packen Sie Ihr Gerät vorsichtig aus und überprüfen Sie es. Machen Sie sich vollständig mit allen seinen Eigenschaften und Funktionen vertraut.
- Vergewissern Sie sich, dass sämtliche Teile des Gerätes vorhanden und in einwandfreiem Zustand sind. Sollten Teile fehlen oder beschädigt sein, lassen Sie diese ersetzen, bevor Sie das Gerät verwenden.

## Vor Inbetriebnahme

**⚠️ WARNUNG!** Stellen Sie stets sicher, dass das Gerät ausgeschaltet und vom Stromnetz getrennt ist, bevor Sie Einstellungsänderungen oder Messerwechsel vornehmen.

### Hobelmesser ersetzen

- Dieser Elektrohobel ist mit Wendemessern ausgestattet. Wenn sie stumpf sind, können die Messer umgedreht werden. Entsorgen Sie die Messer, wenn beide Schneidkanten abgenutzt sind.
- Ersatzhobelmesser können über Ihren Triton-Fachhändler bezogen werden.

### Hobelmesser wechseln

**⚠️ WARNUNG!** Hobelmesser sind sehr scharf. Tragen Sie daher bei der Handhabung der Messer stets Schutzhandschuhe!

- Bei den Messern handelt es sich um Wendemesser, d.h. sie verfügen auf beiden Seiten über eine Schneidkante. Wenn ein Messer auf einer Seite abgenutzt oder beschädigt ist, kann es umgekehrt eingesetzt werden, um die neuwertige Schneidkante zu verwenden.

**ACHTUNG!** Nur schadhafte Messer dürfen einzeln ausgetauscht werden. Wenn ein Messer abgenutzt ist, müssen stets alle drei Messer in der Walze ersetzt werden, um eine Unwucht zu verhindern, die zu gefährlichen Schwingungen und einer Beschädigung des Gerätes führen kann.

- Verwenden Sie beim Messerwechsel ausschließlich Messer, die in Abmessungen und Gewicht übereinstimmen, da sonst der Hobelkopf schwingt und vibriert und so minderwertige Hobelergebnisse sowie möglicherweise Betriebsstörungen verursacht.

- Gute Hobelergebnisse lassen sich nur mit ordnungsgemäß montierten Messern erzielen. Entfernen Sie alle Späne und anderen am Hobelkopf oder den Messerhalterungen haftenden Ablagerungen.

1. Drehen Sie den Hobelkopf (11) so, dass eines der Hobelmesser (12) nach oben weist und somit zugänglich ist.
2. Lösen Sie die drei Messerhalterungsschrauben (14) (siehe Abb. II) mit dem Schraubenschlüssel (8) (siehe Abb. I) nur so weit, dass sich das Messer vom Hobelkopf abnehmen lässt.
3. Schieben Sie das Messer mithilfe eines kleinen Holzstückchens vorsichtig aus dem Schlitz der Messerhalterung heraus (siehe Abb. III).

4. Setzen Sie das Hobelmesser (12) so in den Schlitz der Messerhalterung (siehe Abb. IV) ein, dass die Spitze der Messerkante näher an den V-Nuten (15) verläuft und sich dann wie die Messerhalterung zur Hobelsohle (16) hin verjüngt.
5. Vergewissern Sie sich, dass beide Messerkanten in gleichem Abstand herausstehen (siehe Abb. V).
6. Ziehen Sie die Messerhalterungsschrauben an (siehe Abb. VI).

**Hinweis:** Verstellen Sie die Hobelmesser niemals mithilfe der Messerhalterungsschrauben (13), da diese ab Werk voreingestellt sind.

## Korrekte Messereinstellung

- Die Hobelmesser müssen unbedingt ordnungsgemäß montiert werden, da die Oberflächenbeschaffenheit des Werkstücks sonst rau und uneben ausfällt. Für ein sauberes, gleichmäßiges Hobelergebnis müssen die Messer so eingesetzt sein, dass die Schneidkanten absolut eben sind, d.h. parallel zur Oberfläche der hinteren Hobelsohle (16) (siehe Abb. VII).

### Kerben in der Oberfläche

- Die Schneidkante eines oder aller Messer verläuft nicht parallel zur hinteren Hobelsohle (siehe Abb. VIII).

### Furchenbildung am Anfang

- Eines oder alle Messer stehen nicht ausreichend über die hintere Hobelsohle hinaus (siehe Abb. IX).

## Spanabnahme einstellen

1. Drehen Sie den Drehknopf zur Spantiefeneinstellung (1) im Uhrzeigersinn, um die Spanabnahme zu erhöhen und gegen den Uhrzeigersinn, um die Spanabnahme zu verringern.
2. Die Ziffern auf dem Ring unter dem Drehknopf zur Spantiefeneinstellung geben die Spanabnahme an. Beispiel: Wenn der Zeiger vorne am Hobel auf „1,0“ steht, beträgt die Hobeltiefe ca. 1,0 mm.
3. Wenn Sie eine exakte Einstellung der Hobeltiefe wünschen, hobeln Sie ein Stück Ausschussmaterial und messen Sie die Abtragsstärke. Nun kann eine genaue Einstellung vorgenommen werden.

## Hinteren Parkschuh verwenden

- Der hintere Parkschuh (7) schützt das Werkstück vor Schäden durch die Hobelmesser, wenn das Gerät abgelegt wird.
- Der Parkschuh wird beim Hobeln automatisch nach hinten hochgeklappt (siehe Abb. X).

## Staub-/Spanabsaugung

**⚠️ WARNUNG!** Verwenden Sie bei der Arbeit mit diesem Gerät stets einen Werkstattsauger, eine Entstaubungsanlage oder den Staub-/Spänefangsack (17).

- Ein Werkstattsauger oder eine Entstaubungsanlage können an den seitlichen Staub-/Spanabsauganschluss (2) angeschlossen werden (siehe Abb. XI).
- Der Staub-/Spänefangsack (17) lässt sich an den seitlichen Staub-/Spanabsauganschluss anschließen.

**⚠️ WARNUNG!** Entfernen Sie Blockierungen im Staub-/Spanabsauganschluss niemals bei sich drehenden Hobelmessern und Hobelkopf. Trennen Sie das Gerät stets vom Stromnetz, bevor Sie Blockierungen entfernen.

## Bedienung

### Ein- und Ausschalten

**⚠️ WARNUNG!** Überprüfen Sie vor dem Anschluss des Gerätes ans Stromnetz stets, dass der Ein-/Ausschalter (3) und die Einschaltsperr (4) einwandfrei funktionieren.

1. Schließen Sie das Gerät über das Netzkabel (6) ans Stromnetz an.
2. Betätigen Sie zum Einschalten die Einschaltsperr (4) und drücken Sie gleichzeitig den Ein-/Ausschalter (3).

**Hinweis:** Nach dem Anlaufen des Hobels kann die Einschaltsperr wieder freigegeben werden.

3. Geben Sie zum Anhalten des Gerätes den Ein-/Ausschalter wieder frei.

**⚠️ WARNUNG!** Bitte beachten Sie, dass die Hobelmesser auch nach dem Ausschalten des Hobels noch eine Zeitlang weiterlaufen. Warten Sie, bis der Motor zum völligen Stillstand gekommen ist, bevor Sie das Gerät ablegen, um Schäden an den Hobelmessern oder der Werkstückoberfläche zu verhindern. Falls Sie den Hobel auf die Seite legen möchten, legen Sie ihn nicht auf die Seite, auf der sich die Lüftungsschlitze befinden. Es könnten sonst Staub oder Späne in den Motor gelangen.

4. Wenn der Hobel kurze Zeit nicht benutzt wird, stellen Sie den Drehknopf zur Spantiefeneinstellung (1) auf 0 und setzen Sie die vordere Hobelsohle auf einen Holzlotz, um die Hobelsohle von der Oberfläche fernzuhalten. Sorgen Sie dafür, dass der hintere Parkschuh (7) zum Schutz der Messer heruntergeklappt ist.

### Hobeln

**⚠️ WARNUNG!** Wird das Gerät zu schnell vorgeschoben, kann dies zu unbefriedigenden Hobelergebnissen und Schäden an den Messern oder dem Motor führen. Wird der Falzhobel zu langsam voran bewegt, kann dies zu Brandspuren oder anderen Mängeln auf der Oberfläche führen. Die richtige Vorschubgeschwindigkeit hängt vom zu hobelnden Material und der

Hobeltiefe ab. Es empfiehlt sich, zuerst an einem Stück Ausschussmaterial zu üben, um die richtige Vorschubgeschwindigkeit und Spanabnahme zu bestimmen.

**WARNUNG!** Halten Sie den Hobel stets mit beiden Händen.

**WARNUNG!** Spannen Sie das Werkstück möglichst immer an der Werkbank ein.

1. Setzen Sie die Vorderkante des Hobels auf das Werkstück und achten Sie dabei darauf, dass die Hobelmesser (12) das Werkstück nicht berühren.
2. Schalten Sie das Gerät ein und warten Sie, bis die Messer ihre volle Drehzahl erreicht haben.
3. Schieben Sie den Hobel gleichmäßig vorwärts und achten Sie darauf, beim Anhobeln die vordere und beim Aushobeln die hintere Hobelsohle zu belasten.
4. Schieben Sie den Hobel über die Werkstückkante hinaus, ohne das Gerät dabei nach unten zu neigen.

**Hinweis:** Das Hobeln wird erleichtert, wenn Sie das Werkstück etwas von sich wegneigen und somit abwärts hobeln.

5. Die Qualität des Hobelergebnisses wird durch die Hobelgeschwindigkeit und -tiefe bestimmt. Für grobes Hobeln kann die Spanabnahme erhöht werden; um eine makellose Oberfläche zu erhalten, muss die Hobeltiefe jedoch verringert und das Gerät langsamer geführt werden.
6. Nehmen Sie den Hobel vom Werkstück, bevor Sie zum Abschalten den Ein-/Aussschalter freigeben.
7. Zwischen einzelnen Arbeitsgängen können Sie den Hobel auf einer ebenen Fläche ablegen, wobei der hintere Parkschuh (7) zum Abstützen des Werkzeugs heruntergeklappt sein sollte, damit die Messer die Werkstückoberfläche nicht berühren.

## An- und Abfasen

1. Um einen Fasenschnitt (siehe Abb. XII) auszuführen, richten Sie zuerst die V-Nut (15) in der vorderen Hobelsohle bündig mit der Eckkante des Werkstücks aus.

**Hinweis:** Die kleine V-Nut dient zum Anfertigen flacher Fasenschnitte, während sich mit der größeren V-Nut tiefere Fasenschnitte vornehmen lassen.

2. Schalten Sie den Hobel ein und hobeln Sie nun an der Eckkante entlang.

**ACHTUNG!** Nehmen Sie immer zuerst einen Probedurchgang an einem Stück Ausschussmaterial vor.

3. Nehmen Sie den Hobel vom Werkstück, bevor Sie zum Abschalten den Ein-/Aussschalter freigeben.

## Zubehör

- Eine umfassende Auswahl an Zubehör und Verschleißteilen, darunter auch Ersatz-Hobelmesser, zusätzliches Spanwerkzeug und Schutzbekleidung sind über Ihren Triton-Fachhändler erhältlich.
- Ersatzteile können unter [toolsparsonline.com](http://toolsparsonline.com) bezogen werden.

## Wartung und Pflege

**⚠️ WARNUNG!** Sorgen Sie stets dafür, dass das Gerät ausgeschaltet und von der Stromversorgung getrennt ist, bevor Sie Einstellungen vornehmen oder Wartungsarbeiten durchführen.

### Allgemeine Überprüfung

- Überprüfen Sie alle Befestigungsschrauben in regelmäßigen Abständen auf festen Sitz, da sie sich mit der Zeit durch Vibration lockern können.
- Kontrollieren Sie das Netzkabel des Gerätes vor jedem Gebrauch auf Schäden und Verschleiß. Dies gilt auch für mit dem Gerät verwendete Verlängerungskabel.
- Netzkabel dürfen nur durch den Hersteller oder seinen Vertreter erfolgen, um Sicherheitsrisiken zu vermeiden.

### Antriebsriemen wechseln

- Es wird empfohlen, während des Riemenwechsels Lederhandschuhe zu tragen – für den Fall, dass es zu einer Berührung der Messer kommen sollte.
- 1. Drehen Sie zum Wechseln des Antriebsriemens (18) zuerst die drei Kreuzschlitzschrauben heraus, mit denen die Antriebsriemenabdeckung (9) befestigt ist.
- 2. Nehmen Sie den beschädigten bzw. abgenutzten Riemen heraus und reinigen Sie die

Riemenscheiben und deren Umgebung mit einer weichen Bürste.

**Hinweis:** Tragen Sie beim Reinigen des Riemenscheibenbereichs einen Augenschutz.

3. Legen Sie den neuen Riemen über die untere Riemenscheibe. Legen Sie das andere Ende des Riemens halb über die obere Riemenscheibe und drehen Sie dann die Riemenscheibe, während Sie gleichzeitig den Riemen aufziehen.
4. Drehen Sie den Riemen von Hand und prüfen Sie, ob er gleichmäßig läuft.
5. Bringen Sie die Abdeckung und die Befestigungsschrauben wieder an.
6. Stecken Sie den Netzstecker wieder ein und lassen Sie den Hobel ein bis zwei Minuten laufen, um sicherzustellen, dass Motor und Riemen richtig laufen.

## Kohlebürsten wechseln

1. Es wird empfohlen, beim Wechseln der Kohlebürsten Lederhandschuhe zu tragen – für den Fall, dass es zu einer Berührung der Messer kommen sollte.
2. Entfernen Sie zum Wechseln der Kohlebürsten die drei Kreuzschlitzschrauben an der Kohlebürstenabdeckung (10).
3. Nehmen Sie die Kabel von den Kohlebürsten (siehe Abb. A).
4. Heben Sie die Kohlebürsten mit einem Schraubendreher aus ihren Halterungen (siehe Abb. B).
5. Öffnen Sie die Halteklappe am Kohlebürstengehäuse mit einem Schlitzschraubendreher (siehe Abb. C) und nehmen Sie die Kohlebürste dann heraus (siehe Abb. D).
6. Setzen Sie die neue Kohlebürste richtig ins Gehäuse ein und achten Sie dabei darauf, dass die Haltenase am Gehäuse in der Nut der Kohle liegt (siehe Abb. E).
7. Drücken Sie die Bürstenfeder ein und schließen Sie die Halteklappe des Gehäuses wieder (siehe Abb. F).
8. Setzen Sie die neue Kohlebürste mit dem Gehäuse in die Kohlebürstenhalterung und schließen Sie die Kabel wieder an.
9. Bringen Sie die Kohlebürstenabdeckung wieder an und fixieren Sie sie mit den Kreuzschlitzschrauben.

## Reinigung

**⚠️ WARNUNG!** Tragen Sie während der Reinigung dieses Gerätes stets persönliche Schutzausrüstung einschließlich Schutzbrille und Schutzhandschuhen.

- Halten Sie Ihr Gerät stets sauber. Durch Staub und Schmutz verschleiben die inneren Teile schnell und die Lebensdauer des Gerätes wird verkürzt.
- Säubern Sie das Gerätegehäuse mit einer weichen Bürste oder einem trockenen Tuch.
- Reinigen Sie Kunststoffteile niemals mit Ätzmitteln. Falls eine Trockenreinigung nicht ausreichend ist, sollte ein mildes Reinigungsmittel auf einem feuchten Lappen verwendet werden.
- Das Gerät darf niemals mit Wasser in Berührung kommen.
- Vergewissern Sie sich vor dem erneuten Gebrauch, dass das Gerät wieder vollkommen trocken ist.
- Die Entlüftungöffnungen gegebenenfalls mit sauberer, trockener Druckluft reinigen, sofern verfügbar.

## Schmierung

- Schmieren Sie alle beweglichen Teile in regelmäßigen Abständen mit einem geeigneten Sprühschmiermittel.

## Lagerung

- Gerät an einem sicheren, trockenen Ort außerhalb der Reichweite von Kindern lagern.
- Vor direkter Sonneneinstrahlung geschützt lagern.

## Entsorgung

Beachten Sie bei der Entsorgung von defekten und nicht mehr reparablen Elektrowerkzeugen die geltenden Vorschriften und Gesetze.

- Elektrowerkzeuge und andere elektrische und elektronische Altgeräte nicht über den Hausmüll entsorgen.
- Lassen Sie sich von der zuständigen Behörde bezüglich der ordnungsgemäßen Entsorgung von Elektrowerkzeugen beraten.

## Garantie

Zur Anmeldung Ihrer Garantie besuchen Sie bitte unsere Website [tritontools.com](http://tritontools.com)\* und tragen dort Ihre persönlichen Daten ein.

Ihre Angaben werden (wenn nicht anders angewiesen) in unseren elektronischen Verteiler aufgenommen, damit Sie Information über zukünftige Produkteinführungen erhalten. Die von Ihnen bereitgestellten Angaben werden nicht an Dritte weitergegeben.

## Kaufinformation

Kaufdatum: \_\_\_/\_\_\_/\_\_\_

Modell: TMNPL Bewahren Sie bitte Ihren Beleg als Kaufnachweis auf.

## EG-Konformitätserklärung

**Name des Unterzeichners:** Mr. Darrell Morris

**Bevollmächtigt durch:** Triton

Erklärt hiermit Folgendes:

Die alleinige Verantwortung für die Ausstellung dieser Erklärung trägt der Hersteller. Der Gegenstand der Erklärung erfüllt die einschlägigen Harmonisierungsrechtsvorschriften der Gemeinschaft.

**Produktkennung:** TMNPL

**Produktbezeichnung:** Mini-Elektrohobel, 60 mm

**Entspricht den folgenden Richtlinien und Normen:**

- Maschinenrichtlinie 2006/42/EG
- EMV-Richtlinie 2014/30/EU
- RoHS-Richtlinie 2011/65/EU
- EN 60745-1:2009+A11:2010
- EN 60745-2-14:2009+A2:2010
- EN 55014-1:2006+A2:2011
- EN 55014-2:1997+A2:2008
- EN 61000-3-2:2014
- EN 61000-3-3:2013

Triton garantiert dem Käufer dieses Produkts, dass Triton, wenn sich Teile dieses Produkts innerhalb von 3 Jahren ab Originalkaufdatum infolge fehlerhafter Materialien oder Arbeitsausführung als defekt erweisen, das mangelhafte Teil nach eigenem Ermessen entweder kostenlos reparieren oder ersetzen wird.

Diese Garantie gilt nicht für kommerzielle Verwendung und erstreckt sich nicht auf normalen Verschleiß oder Schäden infolge von Unfall, Missbrauch oder unsachgemäßer Verwendung.

\*Bitte registrieren Sie Ihren Artikel innerhalb von 30 Tagen nach dem Kauf online.

Es gelten die allgemeinen Geschäftsbedingungen.

Ihre gesetzlich festgelegten Rechte werden dadurch nicht eingeschränkt.

**Benannte Stelle:** TÜV SÜD

**Techn. Unterlagen bei:** Triton

**Datum:** 06/07/2017

**Unterzeichnet von:**



Mr. Darrell Morris,

Geschäftsführender Direktor

**Name und Anschrift des Herstellers:**

Powerbox International Limited, Handelsregisternummer 06897059. Eingetragene Anschrift:

Powerbox, Boundary Way, Lufton Trading Estate, Yeovil, Somerset BA22 8HZ, Großbritannien

# Traduzione delle istruzioni originali


## Introduzione

Grazie per aver acquistato questo utensile Triton. Queste istruzioni contengono informazioni utili per il funzionamento sicuro ed affidabile del prodotto. Per essere sicuri di utilizzare al meglio il potenziale dell'utensile si raccomanda pertanto di leggere a fondo questo manuale. Conservare il manuale in modo che sia sempre a portata di mano e accertarsi che l'operatore dell'elettro utensile lo abbia letto e capito a pieno.

## Descrizione dei simboli

La targhetta sul vostro utensile può mostrare simboli. Questi rappresentano informazioni importanti riguardanti il prodotto o istruzioni sul suo utilizzo.

-  Indossare la protezione acustica  
Indossare occhiali protettivi  
Indossare protezione respiratoria  
Indossare il casco
-  Indossare la protezione delle mani
-  Leggere il manuale di istruzioni
-  **Attenzione!**
-  **ATTENZIONE:** le parti in movimento possono causare danni e/o lesioni da taglio
-  **ATTENZIONE:** lame o denti affilati!
-  Non toccare le lame prima che la macchina sia stata scollegata dalla rete di alimentazione e che le lame si siano completamente arrestate.
-  Fumi o gas tossici!
-  Scollegare sempre dalla rete elettrica durante la regolazione, la sostituzione degli accessori, la pulizia, la manutenzione e quando non in uso!
-  Esclusivamente per utilizzo interno!
-  Costruzione di classe II (doppio isolamento per una protezione supplementare)
-  Fusibile interno ad azione differita con una corrente massima di 3,15 A
-  Conforme agli standard legislativi e di sicurezza.

 **Protezione ambientale**  
I rifiuti elettrici non devono essere smaltiti con i rifiuti domestici. Riciclare dove esistono strutture idonee. Verificare con le autorità locali o con il vostro rivenditore per consigli sul riciclaggio.

## Abbreviazioni tecniche

V	Volt
~, AC	Corrente alternata
A, mA	Ampere
$n_0$	Velocità a vuoto
n	Velocità nominale
opm	Orbite o oscillazioni al minuto
°	Gradi
Hz	Hertz
—, DC	Corrente continua
W, kW	Watt, kilowatt
/min or min <sup>-1</sup>	Operazioni al minuto
rpm	Rivoluzioni al minuto / giri al minuto
dB(A)	Livello del suono in decibel (A ponderata)
m/s <sup>2</sup>	Metri per secondo quadrato (grandezza della vibrazione)
Ø	Diametro

## Specifiche

Numero modello	TMNPL
Tensione di ingresso	230-240 V~ 50/60 Hz
Potenza	450 W
Protezione di ingresso	IP20
Velocità a vuoto	26.000 giri/min.
Tagli al minuto	32.000 tpm
Lame	2 lame reversibili standard da 60 mm
Larghezza di piallatura	60 mm
Profondità di campo taglio	0-1,5 mm
Uscita frammenta a sinistra o destra	Destra
Smussatura scanalature a V	2
Staffa di supporto	automatica
Lunghezza cavo di alimentazione	3 m
Dimensioni (L x l x H)	290 x 130 x 150 mm
Peso	2,3 kg

## Informazioni su suoni e vibrazioni

Pressione sonora $L_{pA}$	84,7 dB(A)
Potenza sonora $L_{WA}$	95,7 dB(A)
Incertezza K	3 dB(A)
Vibrazione ponderata ah (impugnatura principale)	2,256 m/s <sup>2</sup>
Vibrazione ponderata ah (impugnatura ausiliaria)	3,375 m/s <sup>2</sup>
Incertezza K	1,5 m/s <sup>2</sup>

Il livello di intensità del suono per l'operatore può superare i 85 dB (A), sono quindi necessarie delle misure di protezione dal suono

Come parte del nostro continuo sviluppo del prodotto, le specifiche dei prodotti Triton possono variare senza preavviso.

**ATTENZIONE:** Indossare sempre protezioni per le orecchie, quando il livello sonoro supera i 85 dB (A) e limitare il tempo di esposizione, se necessario. Se i livelli sonori diventano sgradevoli, anche con la protezione per le orecchie, smettere di usare l'utensile immediatamente e controllare che la protezione acustica sia montata correttamente e che fornisca il corretto livello di isolamento acustico per il livello del suono prodotto dal vostro utensile.

**ATTENZIONE:** L'esposizione dell'utente alle vibrazioni dell'utensile può causare la perdita del senso del tatto, intorpidimento, formicolio e riduzione della capacità di presa. Una lunga esposizione può portare ad una condizione cronica. Se necessario, limitare la durata di esposizione alle vibrazioni e utilizzare guanti anti-vibrazione. Non utilizzare l'utensile se la temperatura delle mani è al di sotto del normale, in quanto ciò farà sì che l'effetto delle vibrazioni sia maggiore. Utilizzare i dati forniti nella specifica relativa alle vibrazioni per calcolare la durata e la frequenza di funzionamento dell'utensile.

I livelli sonori e le vibrazioni nella specifica sono determinati seguendo gli standard internazionali. Le figure rappresentano un normale utilizzo per l'utensile in normali condizioni di lavoro. Un utensile tenuto in cattive condizioni, montato in modo errato o utilizzato in maniera impropria può essere causa di un aumento dei livelli sonori e delle vibrazioni. [www.osha.europa.eu](http://www.osha.europa.eu) fornisce informazioni sui livelli sonori e delle vibrazioni nei luoghi di lavoro utili agli utenti domestici che utilizzano utensili per lunghi periodi di tempo.

## Norme generali di sicurezza per elettrotensili

**AVVERTENZA:** Leggere ed assimilare tutte le istruzioni. La non osservanza delle seguenti istruzioni può causare scosse elettriche, incendi e/o lesioni gravi.

Conservare tutte le avvertenze di pericolo e le istruzioni operative per ogni esigenza futura.

Il termine "elettrotensili" si riferisce all'utensile a rete fissa (con filo) o un utensile a batteria (senza filo).

### 1) Area di lavoro

- Mantenere l'area di lavoro pulita e adeguatamente illuminata. Il disordine e le zone di lavoro non illuminate possono essere fonte di incidenti.
- Non usare gli elettrotensili in presenza di atmosfere esplosive, come liquidi, gas e polveri infiammabili. Gli elettrotensili producono scintille che potrebbero accendere le polveri o i fumi.
- Tenere altre persone e i bambini a distanza di sicurezza durante l'impiego dell'utensile elettrico. Eventuali distrazioni potrebbero far perdere il controllo dell'utensile all'operatore.

### 2) Sicurezza elettrica

- Le spine degli elettrotensili devono essere compatibili con le prese di corrente. Non modificare in alcun modo la spina dell'elettrotensile. Non usare adattatori con gli elettrotensili dotati di collegamento di messa a terra. L'uso delle spine originali non modificate e delle prese corrispondenti ridurrà il rischio di scosse elettriche.
- Evitare il contatto del corpo con le superfici collegate a massa come i tubi, i radiatori, le cucine e i frigoriferi. Se il corpo dell'operatore è collegato alla terra o alla massa il rischio di scosse elettriche è maggiore.
- Non esporre gli elettrotensili alla pioggia e non lasciarli in ambienti umidi o bagnati. L'ingresso dell'acqua in un utensile aumenta il rischio di scosse elettriche.
- Non usare il cavo in modo improprio. Non affermare mai il cavo per trasportare, tirare o staccare l'elettrotensile dalla presa di corrente. Tenere il cavo lontano da fonti di calore, olio e sostanze affini, bordi appuntiti o parti in movimento. I cavi danneggiati o attorcigliati aumentano il rischio di scosse elettriche.
- Qualora si voglia usare l'utensile all'aperto, usare cavi di prolunga compatibili con l'uso in ambienti esterni. Un cavo idoneo all'uso in ambienti esterni riduce il rischio di scosse elettriche.
- Se l'utilizzo di un elettrotensile in ambiente umido è inevitabile, utilizzare una fonte di alimentazione protetta da un dispositivo differenziale. L'uso di un dispositivo differenziale riduce notevolmente il rischio di scosse elettriche.

### 3) Sicurezza personale

- Quando si usa un elettrotensile lavorare sempre con la massima attenzione e concentrazione, lasciandosi guidare dal buon senso. Non usare mai un elettrotensile quando si è stanchi o sotto l'effetto di medicinali e/o sostanze alcoliche o stupefacenti. Quando si usa un elettrotensile un attimo di distrazione è sufficiente a causare gravi lesioni alle persone.
- Usare dispositivi per la protezione personale. Indossare sempre protezioni per gli occhi. I dispositivi per la sicurezza personale, come le mascherine antipolvere, le calzature di sicurezza antiscivolo, il casco e la cuffia, se usati in maniera appropriata, riducono i rischi di lesioni alle persone.
- Evitare l'avviamento accidentale. Assicurarsi del fatto che l'interruttore si trovi in posizione arresto (OFF) prima di collegare la spina e/o batteria, prendere in mano o trasportare l'utensile. Trasportare gli elettrotensili con il dito al di sopra dell'interruttore o collegando l'elettrotensile con l'interruttore acceso, aumenta il rischio di incidenti.
- Rimuovere tutte le chiavi di regolazione e le chiavi inglesi prima di accendere l'elettrotensile. Una chiave inglese o una chiave di regolazione collegata a una parte in movimento dell'elettrotensile potrebbe causare lesioni alle persone.
- Non andare oltre l'altezza consentita. In qualsiasi momento mantenere i piedi poggiati su superfici solide e un punto di appoggio sicuro. Un buon equilibrio consente di avere il massimo controllo sull'elettrotensile nelle situazioni inaspettate.

- Indossare sempre protezioni per le orecchie, quando il livello sonoro supera i 85 dB (A) e limitare il tempo di esposizione, se necessario. Se i livelli sonori diventano sgradevoli, anche con la protezione per le orecchie, smettere di usare l'utensile immediatamente e controllare che la protezione acustica sia montata correttamente e che fornisca il corretto livello di isolamento acustico per il livello del suono prodotto dal vostro utensile.
- Se il dispositivo utilizzato è dotato di una bocchetta per l'aspirazione della polvere accertarsi che sia collegata e utilizzata correttamente. L'uso di tali dispositivi riduce i rischi correlati alle polveri.
- Non lasciare che la familiarità acquisita con l'utensile, grazie al suo utilizzo frequente, vi faccia sottovalutare gli eventuali rischi connessi all'uso e le istruzioni di sicurezza. La mancanza di attenzione può portare a gravi ferimenti, nel giro di pochi secondi.
- Utilizzo e cura di un elettrotensile
  - Non forzare l'elettrotensile. Usare sempre l'elettrotensile corretto per il lavoro da eseguire. L'elettrotensile corretto sarà in grado di svolgere il lavoro in modo più efficiente e sicuro nell'ambito della gamma di potenza indicata.
  - Non usare l'elettrotensile se l'interruttore di accensione non si accende e si spegne. Gli elettrotensili con un interruttore di accensione difettoso sono pericolosi e devono essere riparati immediatamente.
  - Staccare la spina dalla presa di corrente prima di effettuare qualsiasi regolazione, sostituire gli accessori o riporre gli attrezzi a motore. Queste misure di sicurezza preventive riducono il rischio di avvio involontario.
  - Conservare l'elettrotensile fuori dalla portata dei bambini e non lasciare che venga utilizzato da persone non adeguatamente addestrate e competenti nell'uso degli elettrotensili o che non abbiano letto questo manuale di istruzioni. Gli elettrotensili diventano estremamente pericolosi nelle mani di persone non addestrate.
  - Effettuare la manutenzione degli elettrotensili. Controllare che non ci sia un disallineamento o un blocco delle parti in movimento, la rottura di alcune componenti e altre condizioni che possono influire sul funzionamento dell'apparecchio. In caso di danneggiamento, fare riparare prima di riutilizzarlo. Molti incidenti sono causati da una scarsa manutenzione dell'utensile.
  - Mantenere le lame pulite e affilate. Gli utensili da taglio tenuti in buone condizioni operative e con i bordi taglianti affilati sono meno soggetti a bloccarsi e più facili da controllare.
  - Utilizzare l'elettrotensile e tutti i componenti e gli accessori in conformità con le istruzioni di questo manuale e nella maniera prevista per ciascun tipo di utensile, tenendo conto delle condizioni lavorative e del compito da eseguire. L'utilizzo degli elettrotensili per fini diversi da quelli previsti rappresenta un rischio per le persone.
  - Mantenere le impugnature asciutte, pulite e prive di oli e/o grassi. Delle impugnature scivolose compromettono l'utilizzo sicuro dell'utensile.
- Assistenza

Qualsiasi intervento sull'elettrotensile deve essere eseguito da personale qualificato utilizzando unicamente pezzi di ricambio compatibili e approvati. Ciò garantisce la sicurezza dell'elettrotensile.

## Sicurezza aggiuntiva per pialle elettriche

**AVVERTENZA!**

- Attendere che il cutter si fermi prima di riporre il dispositivo. Un cutter girevole in movimento può toccare la superficie, portando a una possibile perdita di controllo del dispositivo e gravi lesioni.
- Tenere il dispositivo unicamente per le superfici di impugnatura isolate, dato che il cutter potrebbe entrare in contatto col cavo di alimentazione. Tagliare un cavo "sotto tensione" può esporre le componenti metalliche del dispositivo "sotto tensione" e potrebbe dunque trasmettere una scossa elettrica all'operatore.
- Usare delle pinze o altri metodi pratici per rendere sicuro e supportare il pezzo da sottoporre a lavorazione su una superficie stabile. Tenendo il pezzo in mano o appoggiato contro il corpo lo si rende instabile e ciò potrebbe portare a una perdita di controllo del dispositivo stesso.
- Qualora sia necessario provvedere alla sostituzione del cavo di alimentazione, sarà opportuno rivolgersi al produttore o al suo agente al fine di evitare pericoli a livello di sicurezza.
- Consigliamo caldamente di alimentare sempre il dispositivo tramite un dispositivo di corrente residua con una corrente residua nominale pari o inferiore a 30 mA.



**Indossare una protezione respiratoria adeguata:** L'uso di questo utensile può generare sostanze chimiche che contengono polveri; è risaputo che queste ultime possono causare tumore, difetti alla nascita o altri disturbi sul piano riproduttivo. Alcuni tipi di legno contengono conservanti quali ad esempio arsenato di rame e cromo (CCA), che possono essere tossici. In fase di levigatura, trapanatura o taglio di questi materiali consigliamo sempre di prestare estrema attenzione per evitare l'inhalazione e limitare al massimo il contatto con la pelle.

**IMPORTANTE**

- Servirsi di rilevatori adeguati se le linee di alimentazione principale sono nascoste nell'area di lavoro o contattare l'azienda elettrica della zona per ricevere assistenza in merito. Il contatto con le linee di alimentazione può portare a incendi o scosse elettriche. Danneggiare una linea del gas può portare a un'esplosione. La penetrazione di una linea dell'acqua può causare danni a cose o scosse elettriche.
- Non toccare l'espulsore dei trucioli con le mani. Ci si potrebbe far male a causa delle



parti girevoli.

- **Consigliamo caldamente di usare una maschera per la polvere e un sistema di estrazione delle polveri per proteggere l'operatore dalla polvere stessa.** Le piastre elettriche generano un elevato quantitativo di polvere, e alcuni materiali producono polveri tossiche.
- **Usare unicamente lame affilate.** Trattare le lame con estrema cura.
- a) **Controllare che la tensione sull'etichetta del dispositivo corrisponda alla tensione sulla presa di alimentazione.**
- b) **Verificare che tutti i chiodi, le viti, ecc. siano rimossi dal pezzo da sottoporre a lavorazione prima di iniziare a lavorarlo.** In caso contrario si potrebbero verificare danni alla lama o alla piastra, il che a sua volta potrebbe comportare pericoli a livello di sicurezza.
- c) **Verificare che tutti i panni, cavi, stracci, cordicelle e articoli simili vengano rimossi dall'area di lavoro.** Per evitare l'impigliamento nel meccanismo della piastra
- d) **Verificare che i bulloni di installazione della lama siano saldamente fissati prima dell'uso**
- e) **Prima di usare la piastra su una superficie di lavoro, accenderla e lasciarla in funzione per alcuni minuti.** Verificare la presenza di vibrazioni od oscillazioni che potrebbero indicare la presenza di una lama non installata o equilibrata correttamente
- f) **Lasciare che il dispositivo raggiunga la velocità massima prima di entrare in contatto col pezzo da sottoporre a lavorazione e avviare l'operazione di taglio**
- g) **Azionare la piastra solo se controllata da entrambe le mani e se tenuta correttamente prima dell'accensione**
- h) **Verificare che la piastra si trovi ad almeno 200mm dal volto e dal corpo**
- i) **Prima di iniziare l'operazione di taglio, attendere che le lame raggiungano la velocità massima.**
- j) **I trucioli potrebbero ammassarsi nello scivolo quando si sta tagliando legno umido.** Spegnerne, scollegare dall'alimentazione e pulire i trucioli servendosi di un bastoncino. Non mettere mai le dita nello scivolo in cui finiscono i trucioli
- k) **Spegnerne SEMPRE e attendere che le lame siano completamente ferme prima di eseguire eventuali regolazioni, interventi di pulizia o di manutenzione**
- l) **Scollegare SEMPRE dalla corrente quando la macchina rimane senza sorveglianza**
- m) **Quando non è in uso, scollegare dalla sorgente di alimentazione e collocare la base anteriore su un blocco di legno di modo che le lame non entrino in contatto con nulla**
- n) **Sostituire tutte le lame nello stesso momento, altrimenti lo squilibrio derivante potrebbe causare vibrazioni e ridurre la durata di vita sia della piastra che delle lame**

## Sicurezza dell'utensile da taglio

**AVVERTENZA.** Prima di collegare un dispositivo a una sorgente di alimentazione (presa di corrente, presa, ecc.) verificare che la tensione corrisponda a quella indicata sulla targhetta del dispositivo. L'uso di una sorgente di alimentazione con tensione superiore a quella indicata per il dispositivo stesso può causare gravi lesioni all'utente oltre che danni al dispositivo stesso. In caso di dubbi, non collegare il dispositivo. L'uso di una sorgente di alimentazione con tensione inferiore a quella indicata sulla targhetta è dannoso per il motore.

### Uso dell'utensile di taglio corretto

- Verificare che l'utensile di taglio sia adatto per il lavoro da eseguire. Non ipotizzare l'idoneità dell'utensile da taglio senza aver prima verificato la documentazione accompagnatoria

### Protezione degli occhi

- Indossare sempre protezioni per gli occhi adeguate in fase di utilizzo degli utensili da taglio
- Gli occhiali non sono stati pensati per fornire protezione in fase di utilizzo del prodotto; le normali lenti da vista non resistono agli urti e si potrebbero frantumare

### Protezione dell'udito

- Indossare sempre protezioni per l'udito adeguate, qualora il livello di rumore dell'utensile superi gli 85 dB

### Protezione del sistema respiratorio

- Indossare sempre, e assicurarsi sempre che lo facciano tutti gli astanti, maschere protettive per il sistema respiratorio

### Proteggere le proprie mani

- Non avvicinare le mani alle lame. Utilizzare uno spingipezzo per i pezzi da lavoro di piccole dimensioni

### Prestate attenzione alle persone che vi circondano

- L'utente ha la responsabilità di verificare che le persone nelle immediate vicinanze

dell'area di lavoro non siano esposte a rumori o polveri pericolosi e che siano dotate della strumentazione di protezione adeguata

## Oggetti nascosti

- Ispezionare l'oggetto da sottoporre a lavorazione, togliere tutti i chiodi e gli altri oggetti eventualmente conficcati al suo interno prima di procedere con l'operazione di taglio
- Non cercare di tagliare materiali che contengono oggetti conficcati a meno che non si sappia con certezza che il dispositivo di taglio fornito col dispositivo sia idoneo alla tipologia di lavoro da eseguire
- Le pareti possono nascondere cablaggi, tubazioni, i pannelli delle porte dell'auto possono celare linee del carburante e l'erba lunga può nascondere sassi e vetri. Controllare sempre tutta l'area di lavoro prima di procedere

## Fare attenzione agli scarti che schizzano via

- In alcune situazioni, gli scarti possono essere fatti schizzare via ad alta velocità dall'utensile di taglio. L'utente ha la responsabilità di garantire che le altre persone nell'area di lavoro siano protette dalla possibilità di scarti che schizzano via ad alta velocità

## Inserimento degli utensili da taglio

- Verificare che gli utensili da taglio siano inseriti in modo corretto e sicuro; verificare che le pinze/gli utensili di regolazione vengano rimossi prima dell'uso
- Servirsi unicamente di dispositivi di taglio consigliati per la propria macchina
- Non cercare di modificare i dispositivi di taglio
- Verificare che le lame siano affilate, in buone condizioni e inserite in modo adeguato
- Non cercare di affilare nuovamente le lame non adatte a tal fine; nello specifico si può trattare di lame speciali indurite o lame realizzate da leghe indurite che di norma contengono tungsteno
- Le lame che possono essere nuovamente affilate possono essere affilate una seconda volta unicamente in linea con le istruzioni del produttore. Le istruzioni potrebbero anche prevedere un numero limitato di operazioni di affilatura per la lama.
- Le lame affilate vanno attentamente esaminate prima dell'uso e sostituite immediatamente qualora si nutrano dubbi relativamente alle loro condizioni e idoneità per l'utilizzo.
- Qualora le lame incontrino oggetti per cui non risultano idonee, sarà opportuno procedere immediatamente alla loro sostituzione.

## Direzione di inserimento

- Inserire il pezzo da sottoporre a lavorazione verso la lama o il cutter sempre in direzione contraria rispetto al movimento della lama o del cutter

## Attenzione al calore

- **Gli utensili da taglio e i pezzi di lavoro si possono surriscaldare in fase di utilizzo. Non cercare di sostituire gli accessori prima che gli stessi si siano completamente raffreddati**

## Controllo polvere/sfrido

- Non consentire la formazione di polvere o sfridi. La segatura presenta pericolo d'incendio e gli sfridi di metallo sono pericolosi.
- Prestare in particolar modo attenzione in fase di taglio di legno e metalli. Le scintille che derivano dal taglio dei metalli sono una causa comune di incendio in presenza di polveri di legno
- Ove possibile, servirsi di un sistema di estrazione delle polveri per garantire un ambiente di lavoro più sicuro

## Familiarizzazione con il prodotto

1. Manopola di regolazione profondità
2. Porta di estrazione della polvere
3. Interruttore a grilletto ON/OFF
4. Pulsante di esclusione
5. Impugnatura principale
6. Cavo d'alimentazione
7. Piedino posteriore
8. Chiave
9. Copertura cinghia di trasmissione
10. Copertura accesso spazzole
11. Tamburo lama
12. Lama
13. Morsa lama
14. Bulloni morsa lama
15. Scanalature
16. Base
17. Sacchetto della polvere



## Usò previsto

Mini pialla portatile alimentata a corrente per levigatura e piallatura di livello leggero/medio con profondità di taglio regolabile e profondità di battuta illimitata. Si può utilizzare su legno dolce o legno duro.

## Disimballaggio dell'utensile

- Disimballare e ispezionare l'utensile. Familiarizzare completamente con tutte le sue caratteristiche e funzioni
- Assicurarsi che tutte le parti dell'utensile siano presenti e in buone condizioni. In caso di parti mancanti o danneggiate, sostituire tali parti prima di utilizzare questo utensile

## Prima dell'uso

**AVVERTENZA:** Verificare che la pialla sia scollegata dalla presa di corrente prima di fissare o sostituire eventuali accessori o eseguire eventuali regolazioni.

### Sostituire le lame

- La pialla è dotata di lame reversibili. Le lame possono essere invertite quando consumate. Una volta che entrambi i lati della lama si siano consumati, le lame vanno smaltite.
- Le lame di ricambio pialla sono disponibili presso il vostro rivenditore Triton

### Rimuovere o inserire le lame

**ATTENZIONE:** le lame della pialla sono affilate! Indossare sempre dei guanti protettivi quando si maneggiano le lame della pialla.

- Le lame sono dotate di bordi taglienti su entrambi i lati, questa caratteristica la rende reversibile. Se un bordo dovesse consumarsi o danneggiarsi, si potrà invertire e utilizzare l'altro bordo.

**IMPORTANTE:** Si può effettuare la sostituzione di una singola lama solo se questa dovesse essere danneggiata. Se la lama è usurata, è necessario sostituire tutte le tre lame nel tamburo per impedire il funzionamento sbilanciato, che può causare vibrazioni pericolose e danneggiare l'utensile.

- In caso di sostituzione lame, utilizzare lame delle stesse dimensioni e peso, o il tamburo potrebbe oscillare e vibrare causando un'azione povera di piallatura e possibilmente guasti
- La qualità della finitura si basa sulla corretta installazione delle lame. Rimuovere i trucioli di legno o altri corpi estranei che aderiscono al tamburo lama o ai morsetti

- Ruotare il tamburo della lama (11) di modo che la lama (12) sia accessibile e rivolta verso l'alto
- Utilizzando la chiave (8) (Fig. I), allentare i tre bulloni della morsa della lama (14) (Fig. II) il minimo necessario per consentire la rimozione della lama dal tamburo
- Estrarre la lama dalla scanalatura, utilizzando un piccolo pezzo di legno per premere la lama fuori (Fig. III)
- Far scivolare la lama (12) nella scanalatura nella morsa della lama (Fig. IV) di modo che la punta del bordo lama si trovi più vicina alle scanalature (15) rastremandosi verso la base (16) armonizzandosi con il contorno della morsa lama
- Assicurarsi del fatto che entrambi i lati della lama sporgano in egual misura (Fig. V)
- Stringere i bulloni della morsa della lama (Fig. VI)

**NB:** non tentare di regolare la lama con le viti della morsa lama (13), che sono pre posizionate

### Impostare correttamente le lame

- È essenziale che le lame siano impostate correttamente o il pezzo finirà ruvido ed irregolare. Per un taglio liscio, le lame devono essere montate in modo che il bordo di taglio sia assolutamente livellato, cioè parallelo alla superficie della base posteriore (16) (Fig. VII)

#### Tacche sulla superficie

- Il bordo di taglio non si trova in posizione parallela rispetto alla linea della base posteriore (Fig. VIII)

### Smussatura accentuata all'inizio

Una o più lame non protrudono a sufficienza rispetto alla linea della base posteriore (Fig. IX)

### Regolare la profondità di taglio

- Ruotare la manopola di regolazione della profondità (1) in senso orario per un taglio più profondo e in senso antiorario per un taglio meno profondo
- I numeri sull'anello posto sotto la manopola di regolazione della profondità indicano la profondità di taglio. Per esempio, quando "1" si trova vicino alla tacca nella parte frontale della pialla, la profondità di taglio è di circa 1 mm
- Se fosse necessario determinare la profondità di taglio in modo preciso, piallare un pezzo di

legno di scarto, misurare la differenza di spessore e regolare il valore di conseguenza

### Utilizzare il piedino posteriore

- Il piedino posteriore (7) protegge il pezzo da danni quando l'utensile non viene utilizzato
- Il piedino si piega automaticamente all'indietro quando si pialla (Fig. X)

### Estrazione polvere/trucioli

**ATTENZIONE:** utilizzare sempre un aspirapolvere da officina o un sistema di estrazione o un sacchetto della polvere (17) quando si utilizza questo utensile

- Un aspirapolvere o un sistema di estrazione possono essere estrazioni alla porta di estrazione della polvere (2) (Fig. X)
- Il sacchetto per la polvere (17) può essere connesso alla porta di estrazione della polvere laterale

**ATTENZIONE:** non rimuovere MAI le ostruzioni dalla porta di estrazione quando le lame e il tamburo stanno ruotando. Disconnettere sempre prima l'utensile

## Funzionamento

### Accensione e spegnimento

**ATTENZIONE:** Prima di inserire la spina dell'utensile nella presa di corrente controllare sempre che il pulsante di accensione (On/Off) (3) e il pulsante di esclusione (4) funzionino correttamente.

- Inserire la spina dell'utensile nella presa di corrente
- Affermare l'utensile con il dito indice sul pulsante di accensione (On/Off) e il pollice sul pulsante di esclusione

**NB:** il pulsante di esclusione può essere rilasciato una volta che la pialla è in moto.

- Per fermare l'utensile, rilasciare l'interruttore On/Off (3)

**ATTENZIONE:** Le lame della pialla continuano a girare anche una volta spenta la stessa. Aspettare che il motore si sia arrestato completamente prima di riporre l'utensile per prevenire danni alle lame o alle superfici. Se si desidera lasciar riposare la pialla, non appoggiarla sul lato dove sono posizionate le ventole., in quanto ciò potrebbe causare l'ingresso di trucioli nel motore.

- Quando la pialla non viene utilizzata per un breve periodo, impostare il pomello di controllo profondità (1) nella posizione "0" e poggiare la parte frontale della pialla su un blocco di legno. Assicurarsi del fatto che il piede posteriore (7) sia abbassato per proteggere le lame

### Planing

**WARNING:** Moving the tool too fast may cause a poor quality of cut and can damage the blades or the motor. Moving the tool too slowly may burn or mar the cut. The proper feed rate will depend on the type of material being cut and the depth of the cut. Practice first on a scrap piece of material to gauge the correct motion.

**WARNING:** Always use two hands to hold the planer.

**WARNING:** Where possible, clamp the workpiece to a workbench.

- Rest the front of the planer on the workpiece, ensuring the blades are not in contact with the workpiece
- Switch ON the tool and wait for the blades to reach full speed
- Move the planer gently forward, applying pressure on the front of the tool at the start of planing, and pressure at the rear of the tool towards the end of the planing stroke
- Spingere la pialla oltre il bordo del pezzo senza inclinare verso il basso

**NB:** Piallare è più semplice se si inclina il pezzo leggermente lontano dall'utente.

- Il tasso di piallatura e la profondità di taglio determinano la qualità della finitura. Per il taglio ruvido è possibile aumentare la profondità di taglio, però, per ottenere una buona finitura è necessario per ridurre la profondità di taglio e far avanzare l'utensile più lentamente
- Solleverare l'utensile dal pezzo prima di rilasciare l'interruttore ON/OFF e spegnere
- Tra un'operazione e l'altra si può appoggiare la pialla su una superficie piana con il piedino posteriore (7) abbassato di modo che le lame non tocchino la superficie

### Smussare

- Per effettuare un taglio smussato (Fig. XII), allineare la scanalatura a V (15) nella parte frontale della base della pialla con il bordo angolare del pezzo

**NB:** utilizzare la scanalatura a V più piccola per una scanalatura meno profonda e quella più larga per quella più profonda

- Accendere e piallare lungo il bordo del pezzo

**IMPORTANTE:** testare sempre prima su un pezzo di prova

- Solleverare l'utensile dal pezzo prima di rilasciare l'interruttore ON/OFF e spegnere

## Accessori

- Una vasta gamma di accessori, incluse lame, morsetti e dispositivi di protezione personale, sono disponibili presso i nostri fornitori Triton.
- Parti di ricambio sono ordinabili su [toolsparesonline.com](https://toolsparesonline.com)

## Manutenzione

 **ATTENZIONE:** Assicurarsi sempre del fatto che l'utensile sia spento e che la spina non sia inserita nella presa prima di effettuare qualsiasi intervento di regolazione o manutenzione.

### Ispezione generale

- Controllare regolarmente che le viti di fissaggio siano ben strette. Con l'uso prolungato potrebbero vibrare o allentarsi
- Prima di ogni utilizzo, verificare che il filo di alimentazione in dotazione non sia danneggiato o consumato. Questo consiglio vale anche per le prolunghie utilizzate con questo elettroutensile
- Se fosse necessario sostituire il cavo di alimentazione, farla effettuare dal produttore o da un suo agente

### Sostituzione della cinghia di trasmissione

- Si consiglia di indossare guanti di pelle per cambiare la cintura nell'eventualità che le mani entrino in contatto con le mani

1. Per sostituire la cinghia di trasmissione (18), rimuovere prima le viti che fissano il coperchio cinghia di trasmissione (9) sul lato sinistro della piastra se si guarda dalla parte posteriore
2. Rimuovere la cinghia danneggiata e utilizzare una spazzola morbida per pulire le puleggie la zona circostante

**NB:** Indossare occhiali protettivi quando si pulisce la zona della puleggia

3. Posizionare la nuova cinghia sopra la puleggia inferiore. Inserire parzialmente l'altra estremità della cinghia sulla puleggia superiore, arrotolare quindi la cinghia girando la puleggia
4. Verificare che la cinghia scorra in maniera uniforme girando la cinghia manualmente
5. Riposizionare il coperchio e viti di fissaggio
6. Connettere l'utensile alla corrente elettrica e lasciare che l'utensile funzioni a vuoto per un minuto o due per assicurarsi che il motore e la cinghia funzionino correttamente

### Sostituire le spazzole

- Si raccomanda l'utilizzo di guanti in pelle per il cambio spazzole, nel caso in cui le mani entrino in contatto con le lame

1. Per sostituire le spazzole, rimuovere le tre viti che assicurano la copertura dell'accesso spazzole (10)
2. Disconnettere i cavi dalle spazzole (Immagine A)
3. Utilizzare un cacciavite, estrarre le spazzole (Immagine B)
4. Utilizzare un cacciavite a taglio per aprire l'aletta di blocco sull'alloggiamento della spazzola (Immagine C) per rimuovere la spazzola (Immagine D)

5. Inserire la nuova spazzola correttamente con l'alloggiamento, assicurarsi che la scanalatura sul carbone sia sullo stesso lato della forcella (Immagine E)
6. Premere la molla della spazzola all'interno e chiudere l'aletta di blocco dell'alloggiamento (F)
7. Rimettere la nuova spazzola con il suo alloggiamento in posizione e riconnettere o cavi
8. Riposizionare la copertura dell'accesso spazzole e avvitare bene le viti

### Pulizia

 **AVVERTENZA:** Indossare SEMPRE dispositivi di protezione, comprese protezioni per gli occhi e guanti in fase di pulizia del dispositivo.

- Mantenere pulito l'utensile in ogni momento. La sporcizia e la polvere causano una rapida usura delle componenti interne e riducono la durata di vita del dispositivo stesso.
- Pulire il corpo della macchina con una spazzola morbida o un panno asciutto.
- Non usare mai agenti caustici per pulire le componenti in plastica. Qualora la pulizia a secco non risulti sufficiente, consigliamo di usare un detergente delicato su un panno umido
- L'acqua non deve mai entrare in contatto col dispositivo
- Verificare che l'utensile sia completamente asciutto prima di utilizzarlo
- Ove disponibile, usare aria pulita, secca e compressa tramite i fori di ventilazione

### Lubrificazione

Lubrificare tutte le parti in movimento con un lubrificante spray adatto, a intervalli regolari

## Conservazione

- Dopo l'uso, riporre questo dispositivo e i suoi accessori con cura in un luogo sicuro e asciutto fuori dalla portata dei bambini
- Non esporre alla luce diretta del sole

## Smaltimento

Rispettare sempre le normative nazionali per lo smaltimento di elettroutensili che non sono più funzionali e non sono atti alla riparazione.

- Non gettare utensili elettrici o apparecchiature elettriche ed elettroniche (RAEE) con i rifiuti domestici
- Contattare l'autorità locale di smaltimento rifiuti per informazioni sul modo corretto di smaltire gli utensili elettrici

## Garanzia

Per la registrazione della garanzia visitare il sito web [tritontools.com](http://tritontools.com)\* e inserire i propri dettagli.

A meno che il proprietario non abbia specificato diversamente, i suoi dettagli saranno inclusi nella lista di distribuzione che sarà utilizzata per inviare regolarmente informazioni sulle novità Triton. I dati personali raccolti saranno trattati con la massima riservatezza e non saranno rilasciati a terze parti.

## Informazioni sull'acquisto

Data di acquisto: \_\_\_/\_\_\_/\_\_\_

Modello N.: TMNPL Conservare lo scontrino come prova dell'acquisto

## Dichiarazione di conformità CE

**Il sottoscritto:** Sig. Darrell Morris

**come autorizzato da:** Triton

Dichiara che il prodotto:

Questa dichiarazione è stata emessa unicamente sotto la responsabilità del produttore.

L'obiettivo della dichiarazione è in conformità con la pertinente Normativa di Armonizzazione dell'Unione.

**Codice di identificazione:** TMNPL

**Descrizione:** Mini pialla 60 mm - 450 W

**Si conforma alle seguenti direttive:**

- Direttiva macchine 2006/42/CE
- Direttiva compatibilità elettromagnetica 2014/30/UE
- Direttiva RoHS 2011/65/UE
- EN 60745-1:2009+A11:2010
- EN 60745-2-14:2009+A2:2010
- EN 55014-1:2006+A2:2011
- EN 55014-2:1997+A2:2008
- EN 61000-3-2:2014
- EN 61000-3-3:2013

Triton Precision Power Tools garantisce all'acquirente di questo prodotto che, se qualsiasi parte dovesse presentare difetti di materiale o di fabbricazione entro 3 ANNI dalla data di acquisto originale, Triton riparerà o sostituirà, a sua discrezione, la parte difettosa gratuitamente. Questa garanzia non si applica ad uso commerciale né si estende alla normale usura o a danni a seguito di incidenti, abuso o uso improprio dell'utensile.

Registra il tuo prodotto on-line entro 30 giorni dall'acquisto.

Vengono applicati i termini e le condizioni generali.

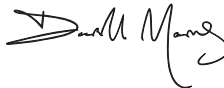
Ciò non pregiudica i tuoi diritti legali

**Organismo notificato:** TÜV SÜD

**La documentazione tecnica è conservata da:** Triton

**Data:** 06/07/2017

**Firma:**



Darrell Morris

Direttore generale

**Nome e indirizzo del fabbricante:**

Powerbox International Limited, N°. Società 06897059. Indirizzo registrato:.

Powerbox, Boundary Way, Lufton Trading Estate, Yeovil, Somerset BA22 8HZ, Regno Unito.

# Traducción del manual original

## Introducción

Gracias por haber elegido esta herramienta Triton. Estas instrucciones contienen la información necesaria para utilizar este producto de forma segura y eficaz. Lea atentamente este manual para obtener todas las ventajas y características únicas de su nueva herramienta. Conserve este manual a mano y asegúrese de que todas las personas que utilicen esta herramienta lo hayan leído y entendido correctamente.

## Descripción de los símbolos

Los siguientes símbolos pueden aparecer en la placa de características de su herramienta. Estos símbolos representan información importante sobre el producto o instrucciones relativas a su uso.



Lleve protección auditiva  
Lleve protección ocular  
Lleve protección respiratoria  
Lleve un casco de seguridad



Lleve guantes de seguridad



Lea el manual de instrucciones



¡Peligro!



**ADVERTENCIA:** Los mecanismos móviles de esta herramienta pueden causar cortes y lesiones personales



**ADVERTENCIA:** ¡Cuchillas/dientes muy afilados!



Nunca toque las cuchillas cuando la herramienta esté enchufada en la toma de corriente. Asegúrese de que las cuchillas se hayan detenido completamente.



¡Peligro! Gases o humo tóxico



Desconecte siempre la herramienta de la toma eléctrica antes de realizar cualquier tarea de mantenimiento, sustituir accesorios o cuando no la esté utilizando.



Para uso solo en interiores



Protección clase II (doble aislamiento para mayor protección)



Desfase y corriente máxima del fusible interno de 3,15 A



Conforme a las normas de seguridad y la legislación correspondiente.



**Protección medioambiental**  
Los productos eléctricos usados no se deben mezclar con la basura convencional. Están sujetos al principio de recogida selectiva. Solicite información a su ayuntamiento o distribuidor sobre las opciones de reciclaje.

## Abreviaturas de términos técnicos

V	Voltio/s
~, AC	Corriente alterna
A, mA	Amperio/s, miliamperio/s
$n_0$	Velocidad sin carga
n	Velocidad nominal
opm	Órbitas/oscilaciones por minuto
°	Grados
Hz	Hercio/s
—, DC	Corriente continua
W, kW	Vatio/s, kilovatio/s
/min o min <sup>-1</sup>	Revoluciones/oscilaciones) por minuto
rpm	(Revoluciones/oscilaciones) por minuto
dB(A)	Nivel de decibelios (Ponderada A)
m/s <sup>2</sup>	Metros cuadrados por segundo (vibración)
∅	Diámetro

## Características técnicas

Modelo	TMNPL
Tensión de entrada	220–240 V, 50/60 Hz
Potencia	450 W
Grado de protección	IP20
Velocidad sin carga	16.000 min <sup>-1</sup>
Cortes por minuto	32.000 min <sup>-1</sup>
Cuchillas	2 cuchillas reversibles 60 mm estándar
Ancho de corte	60 mm
Capacidad de corte	0 – 1,5 mm
Profundidad de rebaje	8 mm
Expulsión de virutas izquierda o derecha	Derecha
Ranuras de bisel en V	2
Soporte	Automático
Longitud del cable de alimentación	3 m
Dimensiones (L x An x A)	290 x 130 x 150 mm
Peso	2,3 kg
<b>Información sobre ruido y vibración:</b>	
Presión acústica $L_{pa}$ :	84,7 dB(A)
Potencia acústica $L_{wa}$ :	95,7 dB(A)

Incertidumbre K:	3 dB(A)
Vibración ponderada ah (empuñadura principal):	2,256 m/s <sup>2</sup>
Vibración ponderada ah (empuñadura auxiliar):	3,375 m/s <sup>2</sup>
Incertidumbre K:	1,5 m/s <sup>2</sup>
El nivel de intensidad sonora para el usuario puede exceder de 85 dB(A). Se recomiendan usar medidas de protección sonora.	
Como parte de nuestra política de desarrollo de productos, los datos técnicos de los productos Triton pueden cambiar sin previo aviso.	

**ADVERTENCIA:** Utilice siempre protección auditiva cuando el nivel ruido exceda 85 dB(A) o cuando esté expuesto durante largos periodos de tiempo. Si por algún motivo nota algún tipo de molestia auditiva incluso llevando orejeras de protección, detenga inmediatamente la herramienta y compruebe que las orejeras de protección estén colocadas adecuadamente. Asegúrese de que el nivel de atenuación y protección de las orejeras sea adecuado dependiendo del tipo de herramienta y el trabajo a realizar.

**ADVERTENCIA:** La exposición a la vibración durante la utilización de una herramienta puede provocar pérdida del sentido del tacto, entumecimiento, hormigueo y disminución de la capacidad de sujeción. La exposición durante largos periodos de tiempo puede provocar enfermedad crónica. Si es necesario, limite el tiempo de exposición a la vibración y utilice guantes anti-vibración. No utilice la herramienta cuando sus manos estén muy frías, las vibraciones tendrán un mayor efecto. Utilice los datos técnicos de su herramienta para evaluar la exposición y medición de los niveles de ruido y vibración.

Los niveles de vibración y ruido están determinados según las directivas internacionales vigentes. Los datos técnicos se refieren al uso normal de la herramienta en condiciones normales. Una herramienta defectuosa, mal montada o desgastada puede incrementar los niveles de ruido y vibración. Para más información sobre ruido y vibración, puede visitar la página web [www.osha.europa.eu](http://www.osha.europa.eu)

## Instrucciones de seguridad para herramientas eléctricas

**ADVERTENCIA:** Lea siempre cuidadosamente todas las advertencias e instrucciones de seguridad para utilizar este producto de forma segura. No seguir estas instrucciones podría causar una descarga eléctrica, incendio y/o lesiones graves.

Conserve estas instrucciones de seguridad para futura referencia.

El término "herramienta eléctrica" descrito en este manual se refiere a una herramienta alimentada por conexión eléctrica mediante cable (herramienta alámbrica) o una herramienta eléctrica alimentada por batería (herramienta inalámbrica).

### 1) Seguridad en el área de trabajo

- a) Mantenga el área de trabajo limpia y bien iluminada. Las áreas de trabajo desordenadas y oscuras son peligrosas y pueden provocar un accidente.
- b) No utilice herramientas eléctricas en atmósferas explosivas que contengan líquidos, gases o polvos inflamables. Las herramientas eléctricas producen chispas que pueden incendiar el polvo o los vapores.
- c) Mantenga a los niños y personas alejadas mientras está trabajando con una herramienta eléctrica. Las distracciones pueden hacerle perder el control de la herramienta.

### 2) Seguridad eléctrica

- a) El enchufe de su herramienta eléctrica debe coincidir con la toma de corriente. Nunca realice ningún tipo de modificación en el enchufe. No utilice adaptadores o piezas móviles sin toma de tierra. No modifique los enchufes y tomas de corriente para reducir el riesgo de descargas eléctricas.
- b) Evite el contacto corporal con materiales conductores tales como tuberías, radiadores, estufas y refrigeradores. El riesgo de descarga eléctrica se incrementa si su cuerpo está expuesto a materiales conductores.
- c) No utilice las herramientas eléctricas bajo la lluvia o en zonas extremadamente húmedas. El contacto de agua dentro de la herramienta aumentará el riesgo de descargas eléctricas.
- d) No doble el cable de alimentación. No use nunca el cable de alimentación para transportar la herramienta eléctrica, tirar de ella o desenchufarla. Mantenga el cable de alimentación alejado de fuentes de calor, aceite, bordes afilados o piezas móviles. Los cables de alimentación dañados o enredados aumentan el riesgo de descargas eléctricas.
- e) Use un cable de extensión adecuado para uso exterior cuando utilice la herramienta eléctrica en áreas exteriores. El uso de un cable adecuado para exteriores reducirá el riesgo de descargas eléctricas.
- f) Si es inevitable trabajar con una herramienta eléctrica en lugares húmedos, use un suministro protegido por un interruptor diferencial o disyuntor por corriente diferencial o residual (RCD). El uso de un RCD reduce el riesgo de descargas eléctricas.

### 3) Seguridad personal

- a) Manténgase alerta, fíjese en lo que está haciendo y use el sentido común cuando esté utilizando una herramienta eléctrica. No use una herramienta eléctrica cuando esté

casado o bajo la influencia de drogas, alcohol o medicamentos. Distraerse mientras esté utilizando una herramienta eléctrica puede provocar lesiones corporales graves.

- b) Utilice siempre equipo de protección personal. Use siempre protección ocular. El uso de dispositivos de seguridad personal (mascarillas antipolvo, calzado de seguridad antideslizante, casco de protección y protección auditiva) reducirá el riesgo de lesiones corporales.
  - c) Evite el arranque accidental de la herramienta. Asegúrese de que el interruptor esté en la posición de apagado antes de enchufar la herramienta. Nunca transporte herramientas con el dedo colocado en el interruptor o con el interruptor en posición de encendido.
  - d) Retire todas las llaves de ajuste antes de encender la herramienta. Una llave colocada sobre una parte móvil de la herramienta eléctrica puede causar lesiones graves.
  - e) No adopte posturas forzadas. Colóquese en posición firme y mantenga el equilibrio en todo momento. Esto le permitirá controlar mejor la herramienta eléctrica en situaciones inesperadas.
  - f) Vístase de manera apropiada. No lleve ropa holgada ni joyas. Mantenga el cabello, la ropa y guantes lejos de las piezas en movimiento. La ropa holgada, las joyas o el cabello largo pueden quedar atrapados en las piezas en movimiento.
  - g) Extracción de polvo. Utilice siempre un sistema de extracción de polvo/aspirador y asegúrese de utilizarlos de manera apropiada. El uso de estos dispositivos reducirá los peligros relacionados con el polvo.
  - h) No deje que la familiaridad con el producto a base de utilizarlo repetidamente sustituya las normas de seguridad indicadas para utilizar esta herramienta. Utilizar esta herramienta de forma incorrecta puede causar daños y lesiones personales.
- ### 4) Uso y mantenimiento de las herramientas eléctricas
- a) Nunca fuerce la herramienta eléctrica. Utilice esta herramienta eléctrica de forma adecuada. Utilice su herramienta de forma correcta para cada aplicación.
  - b) No use esta herramienta eléctrica cuando el interruptor de encendido/apagado esté averiado. Cualquier herramienta eléctrica que no se pueda controlar con el interruptor de encendido/apagado será peligrosa y debe ser reparada inmediatamente.
  - c) Desenchufe siempre la herramienta o retire la batería antes de realizar cualquier ajuste, cambiar accesorios o almacenar la herramienta. Estas medidas de seguridad preventivas evitarán el arranque accidental de su herramienta eléctrica.
  - d) Guarde siempre las herramientas eléctricas fuera del alcance de los niños. No permita que las personas que no estén familiarizadas con estas instrucciones utilicen la herramienta. Las herramientas eléctricas son peligrosas en manos de personas que no estén capacitadas para su uso.
  - e) Compruebe regularmente el funcionamiento de sus herramientas eléctricas. Asegúrese de que no haya piezas en movimiento desalineadas o trabadas, piezas rotas o cualquier otro problema que pueda afectar al funcionamiento de la herramienta. Repare siempre las piezas dañadas antes de utilizar la herramienta. La falta de mantenimiento es la causa de la mayoría de accidentes.
  - f) Las herramientas de corte deben estar siempre afiladas y limpias. Las herramientas de corte correctamente afiladas son menos propensas a trabarse y son más fáciles de controlar.
  - g) Utilice esta herramienta eléctrica y los accesorios según el manual de instrucciones y teniendo en cuenta las condiciones y el trabajo que necesite realizar. El uso de esta herramienta eléctrica con un propósito distinto al cual ha sido diseñada podría ser peligroso y causar lesiones.
  - h) Mantenga siempre las empuñaduras y superficies de agarre limpias y libres de grasa. Las empuñaduras y superficies resbaladizas pueden provocar la pérdida de control de la herramienta de forma inesperada.
- ### 5) Mantenimiento y reparación
- a) Repare siempre su herramienta eléctrica en un servicio técnico autorizado. Utilice únicamente piezas de recambio idénticas y homologadas. Esto garantizará un funcionamiento óptimo y seguro de su herramienta eléctrica.
  - b) Nunca intente reparar cargadores o baterías dañadas. Repare el cargador y la batería solamente en un servicio técnico autorizado.

## Instrucciones de seguridad para cepillos eléctricos

**ADVERTENCIA!**

- Espere siempre hasta que las cuchillas se detengan completamente antes de dejar la herramienta. La cuchilla podría engancharse en la superficie y provocar la pérdida de control de la herramienta.
- Sujete la herramienta siempre por las empuñaduras aisladas para evitar el riesgo de descargas eléctricas en caso de accidente. El contacto del accesorio con un cable bajo tensión podría provocar descargas eléctricas al usuario.
- Sujete la pieza de trabajo en una plataforma estable. Sujetar la pieza de trabajo con las manos o cerca de usted podría provocar la pérdida de control.
- El cable de alimentación deberá ser sustituido solamente por un servicio técnico autorizado o por el fabricante.

- Se recomienda conectar esta herramienta a tomas de corriente protegida con dispositivo de protección de corriente diferencial residual de 30 mA o inferior.



**Utilice siempre protección respiratoria:** Uso de esta herramienta puede generar polvo que contiene productos químicos que pueden provocar cáncer, defectos congénitos y otros daños reproductivos. Algunos tipos de maderas contienen conservantes altamente tóxicos como el arseniato de cobre cromado (CCA). Tenga especial precaución al lijar, perforar o cortar este tipo de materiales. Evite la inhalación y el contacto directo con la piel.



- **Utilice detectores para determinar si existen cables bajo tensión y tuberías ocultas en la pieza o zona de trabajo.** Contacte con las compañías de suministro si es necesario. El contacto con cables bajo tensión puede provocar una descarga eléctrica o un incendio. Dañar una tubería de gas podría provocar una explosión. Dañar una tubería de agua podría provocar daños graves en la zona de trabajo.
- **Nunca toque la salida de extracción de virutas con las manos.** Sus manos podrían quedar atrapadas por los mecanismos internos.
- **Se recomienda utilizar siempre mascarilla de protección anti-polvo y un sistema de extracción de polvo.** Los cepillos eléctricos generan grandes cantidades de polvo y algunos materiales pueden contener polvo tóxico.
- **Utilice solo cuchillas afiladas.** Manipule las cuchillas con mucha precaución.
- a) **Asegúrese de que la tensión de su suministro de red sea la misma que la placa de identificación de su herramienta.**
- b) **Antes de comenzar la tarea, asegúrese de que la superficie de trabajo esté libre de clavos y tornillos.** Podría dañar la cuchilla y ser peligroso.
- c) **Asegúrese de objetos tales como cuerdas, trapos y bayetas estén fuera del área de trabajo** para evitar que se puedan quedar atascados en el mecanismo del cepillo eléctrico.
- d) **Asegúrese que los tornillos de sujeción de la cuchilla estén bien apretados antes de comenzar la tarea.**
- e) **Antes de utilizar el cepillo eléctrico, enciéndalo y déjelo funcionando durante un corto periodo de tiempo.** Compruebe que no vibre o se balancee, esto indicará que la cuchilla está mal colocada.
- f) **Asegúrese de que la herramienta alcance su velocidad máxima antes de comenzar a cortar.**
- g) **Sujete siempre la herramienta con ambas manos durante el funcionamiento.**
- h) **Asegúrese de que el cepillo se encuentre como mínimo a 200 mm de distancia de su cuerpo.**
- i) **Espera hasta que las cuchillas alcancen su velocidad máxima antes de comenzar el corte.**
- j) **Los restos de virutas al cortar maderas húmedas pueden atascar la salida de extracción de polvo.** Desenchufe la herramienta y limpie los restos de virutas regularmente.
- k) **Desconecte la herramienta de la red eléctrica cuando no la esté utilizando.**
- l) **Desconecte siempre la herramienta y deje que las cuchillas se detengan completamente antes de sustituir un accesorio o realizar cualquier tarea de mantenimiento.**
- m) **Cuando no utilice esta herramienta por un largo periodo de tiempo, desconéctela de la red eléctrica y apóyela sobre un bloque de madera para evitar dañar las cuchillas.**
- n) **Sustituya todas las cuchillas al mismo tiempo,** de lo contrario no obtendrá un buen funcionamiento y podría dañar la herramienta.

## Instrucciones de seguridad para herramientas de corte

**ADVERTENCIA:** Antes de conectar esta herramienta a la toma de corriente, asegúrese de que la tensión eléctrica sea la misma que la especificada en la placa de datos de esta herramienta. Nunca conecte esta herramienta a una toma de corriente con una tensión incompatible, podría dañar la herramienta y provocar lesiones al usuario. En caso de duda, no enchufe la herramienta. Utilizar una toma de corriente con un voltaje inferior al valor nominal indicado en la placa de datos podría dañar el motor.

### Uso adecuado de la herramienta de corte

- Asegúrese de que la herramienta de corte sea la adecuada para el trabajo a realizar. No utilice esta herramienta sin haber leído antes toda la documentación suministrada con el producto.

### Protección ocular

- Lleve siempre protección ocular adecuada cuando utilice herramientas de corte.
- Las gafas convencionales no están diseñadas para usar con esta herramienta. Este tipo de gafas no son resistentes a los impactos, usarlas podría causarle lesiones graves.

### Protección auditiva

- Utilice siempre protección acústica adecuada cuando el ruido producido por la herramienta supere los 80 dB(A).

### Protección respiratoria

- Asegúrese de que el usuario, así como las personas de su alrededor, utilicen siempre mascarillas adecuadas contra el polvo.

### Protéjase las manos

- **Nunca coloque sus manos cerca de la cuchilla o accesorio de corte. Utilice siempre empujadores cuando vaya a cortar piezas de trabajo pequeñas.**

### Personas cercanas a la zona de trabajo

- Es responsabilidad del usuario asegurarse de que las personas cercanas al área de trabajo no estén expuestas al ruido o al polvo excesivo. Asegúrese de que todas las personas que se encuentren cerca del área de trabajo lleven equipo de protección adecuado.

### Objetos ocultos

- Inspeccione el material a cortar y asegúrese de que no hay objetos ocultos (clavos, etc.) antes de empezar a cortar.
- Nunca corte piezas de trabajo que puedan tener objetos ocultos, excepto cuando el accesorio de corte utilizado en la herramienta sea adecuado para ello.
- En las paredes puede haber cables y tuberías ocultos, los paneles de la carrocería de los vehículos pueden esconder tubos de combustible. La hierba crecida puede haber piedras y trozos de cristal. Inspeccione siempre a fondo la zona de trabajo antes de empezar a cortar.

### Material despedido de forma inesperada

- En algunas situaciones, el material puede salir despedido de la herramienta de corte a gran velocidad. Asegúrese de que no haya personas cerca de la zona de trabajo. Es responsabilidad del usuario asegurarse de las personas cercanas al área de trabajo lleven siempre equipo de protección adecuado.

### Instalación de los accesorios de corte

- Asegúrese de que los accesorios de corte estén instalados correctamente y retire todas las lavas de ajuste antes de comenzar a cortar.
- Utilice solo accesorios de corte recomendados para su herramienta.
- No intente modificar los accesorios de corte.
- Asegúrese de que las hojas/cuchillas estén afiladas y colocadas firmemente.
- Nunca intente afilar cuchillas que no estén diseñadas para volver a afilarse, incluido hojas/cuchillas fabricadas en aleaciones endurecidas con carburo de tungsteno.
- Afíle la hoja/cuchilla de acuerdo con las indicaciones del fabricante, incluido el número de veces que se puedan afilar.
- Inspeccione siempre las hojas/cuchillas recién afiladas antes de utilizarlas. Sustitúyala si es necesario.
- Sustituya inmediatamente la hoja/cuchilla si esta queda atrapada por un objeto durante el corte.

### Dirección de corte

- Introduzca siempre la pieza de trabajo hacia la cuchilla en sentido contrario al movimiento de la cuchilla.

### Piezas calientes

- Recuerde que el accesorio de corte y la pieza de trabajo puede calentarse excesivamente durante el uso de esta herramienta. Nunca sustituya los accesorios hasta que se hayan enfriado completamente.

### Polvo y residuos

- No deje que se acumule el polvo o las virutas en la zona de trabajo. El aserrín supone un riesgo de incendio y algunas virutas metálicas pueden provocar explosiones.
- Tenga mucha precaución cuando corte madera y metal. Las chispas que produce el corte de metal son causa habitual de incendios producidos donde hay serrín.
- Utilice un sistema de extracción de polvo/aspiradora para mantener un entorno de trabajo limpio y seguro.

## Características del producto

1. Perilla de ajuste de profundidad
2. Salida de extracción de polvo
3. Interruptor de encendido/apagado
4. Botón de desbloqueo
5. Empuñadura
6. Cable de alimentación
7. Soporte posterior
8. Llave

- Tapa de la correa de transmisión
- Tapa de acceso a las escobillas
- Tambor de la cuchilla
- Cuchilla
- Abrazadera de la cuchilla
- Tornillos de sujeción de la abrazadera de la cuchilla
- Ranuras de bisel
- Base
- Bosa para polvo/virutas
- Correa de transmisión

## Aplicaciones

Cepillo eléctrico compacto indicado para utilizar en trabajos ligeros y medianos en maderas blandas y duras. Este cepillo dispone de profundidad de corte ajustable para realizar rebajes de profundidad ilimitada.

## Desembalaje

Desembale e inspeccione la herramienta con cuidado. Familiarícese con todas sus características y funciones.

Asegúrese de que el embalaje contiene todas las partes y que están en buenas condiciones. Si faltan piezas o están dañadas, solicite su sustitución antes de utilizar esta herramienta.

## Antes de usar

**ADVERTENCIA:** Apague y desconecte SIEMPRE la herramienta de la toma de corriente antes de cambiar o sustituir cualquier accesorio.

## Sustitución de las cuchillas

- Esta herramienta dispone de cuchillas reversibles. Puede darle la vuelta a las cuchillas cuando estén desgastadas. Cuando haya utilizado ambos lados de la cuchilla, debe desecharla y reemplazarla por otra nueva.
- Existen cuchillas de repuestos disponibles a través de su distribuidor Triton.

## Instalación y desmontaje de las cuchillas

**ADVERTENCIA:** Las cuchillas están muy afiladas, tenga cuidado al manipularlas.

- Las cuchillas tienen un borde cortante a ambos lados y son reversibles. Si un lado de la cuchilla está gastado o dañado, retire la cuchilla o utilice el otro borde de corte.

**IMPORTANTE:** Se recomienda cambiar las tres cuchillas a la vez para no dañar la herramienta y evitar un mal funcionamiento de la misma.

- Utilice siempre cuchillas con las mismas dimensiones y peso, de lo contrario el tambor puede vibrar y dañar la cepillo eléctrico.
- La calidad del acabado dependerá de la instalación de las cuchillas. Asegúrese de que la cuchilla esté limpia y libre de residuos.

- Coloque el tambor (11) mirando hacia arriba para poder acceder fácilmente a la cuchilla (12).
- Utilice la llave (8) (Fig. I) y afloje los tres tornillos de la abrazadera de la cuchilla (14) (Fig. II) lo suficientemente como para poder retirar la cuchilla fuera del tambor.
- Retire la cuchilla con mucha precaución. Utilice un trozo de madera desechable pequeño para extraer la cuchilla (Fig. III).
- Deslice la cuchilla (12) en la ranura de la abrazadera (Fig. IV). El borde de la cuchilla debe estar colocado cerca de las ranuras de bisel (15). La parte biselada debe estar mirando hacia la base (16) y debe coincidir con la forma de la abrazadera de la cuchilla.
- Asegúrese de que la cuchilla quede correctamente centrada en la ranura (Fig. V).

**Nota:** Nunca intente ajustar la cuchilla utilizando los tornillos de sujeción de la abrazadera (13). Estos tornillos están pre ajustados de fábrica.

## Instalación correcta de las cuchillas

- Es muy importante que las cuchillas estén correctamente colocadas y alineadas para evitar un acabado rugoso o de mala calidad. Cuando instale una nueva cuchilla, es fundamental que las cuchillas estén correctamente alineadas dentro de la ranura paralelamente a la superficie de la base (16) (Fig. VII).

### Muecas en la superficie

- Ocasionadas por el borde de una o todas las cuchillas que no están alineadas con la base posterior (Fig. VIII).

### Mueca al principio

- Ocasionadas por el borde de una o todas las hojas que no sobresalen suficientemente con relación con la superficie de la base posterior (Fig. IX).

## Ajuste de la profundidad de corte

- Gire la perilla de ajuste de profundidad (1) en sentido horario para un corte más profundo y en sentido antihorario para un corte menos profundo.
- Las calibraciones del indicador de profundidad de corte le indicará la profundidad de corte.

Por ejemplo, cuando el indicador marque "1" querrá decir que la profundidad de corte será de 1 mm aproximadamente.

- Si necesita determinar de forma precisa la profundidad de corte, pruebe con un trozo de madera sobrante, mida la diferencia de grosor y realice el ajuste si es necesario.

## Uso del soporte de la herramienta

- El soporte posterior (7) sirve para proteger la pieza de trabajo cuando depositamos la herramienta sobre la superficie de trabajo.
- El soporte se retraerá de forma automática durante el uso de la herramienta (Fig. X).

## Extracción de polvo/virutas

**ADVERTENCIA:** Utilice siempre un sistema de extracción de polvo/aspiradora o la bolsa para polvo/virutas (17) suministrada cuando utilice esta herramienta.

- Conecte el sistema de extracción de polvo/aspiradora en la salida de extracción de polvo (2) (Fig. XI).

- Conecte la bolsa para polvo/virutas (17) en la salida de extracción de polvo.

**ADVERTENCIA:** NUNCA limpie la salida de extracción de polvo obstruida cuando la herramienta esté encendida. Desconecte la herramienta de la toma de corriente antes de desobstruir la salida de extracción de polvo.

## Funcionamiento

### Encendido y apagado

**ADVERTENCIA:** Antes de enchufar la herramienta, asegúrese de que el interruptor de encendido y apagado (3) y el botón de desbloqueo (4) funcionen correctamente.

- Conecte el cable de alimentación (6) en la herramienta en la toma de corriente.
- Pulse interruptor de encendido/apagado (3) y el botón de desbloqueo (4) simultáneamente para encender la herramienta.

**Nota:** Suelte el botón de desbloqueo cuando la herramienta esté encendida.

- Suelte el interruptor de encendido/apagado para detener la herramienta.

**ADVERTENCIA:** Tenga en cuenta que después de apagar la herramienta, la cuchilla seguirá funcionando durante un corto período de tiempo. Espere hasta que el motor se haya parado completamente antes de colocar esta herramienta en una superficie, de lo contrario podría dañar las cuchillas o la pieza de trabajo. Si desea colocar la herramienta sobre un lado, deberá asegurarse de que el lado del motor no esté en contacto con la superficie.

- Ajuste la perilla de profundidad de corte (1) en la posición "0" y coloque la parte frontal de la herramienta sobre un trozo de madera cuando no utilice la herramienta. Asegúrese de que el soporte posterior (7) esté colocado para proteger las cuchillas.

### Rebajes

**ADVERTENCIA:** Usar esta herramienta a velocidades demasiado rápidas puede dañar las cuchillas de la cepillo eléctrico y la pieza de trabajo. Usar esta herramienta a velocidades muy lentas puede llegar a quemar y dañar la pieza de trabajo. La velocidad adecuada dependerá del tipo de material a cortar. Antes de realizar rebajes, se aconseja practicar con un trozo de material desechable.

**ADVERTENCIA:** Utilice siempre esta herramienta con ambas manos.

**ADVERTENCIA:** Cuando sea posible sujete la pieza de trabajo con unas mordazas o en un banco de trabajo.

- Coloque la parte frontal del cepillo en la pieza de trabajo, asegúrese de que la cuchilla (12) no esté en contacto con la pieza de trabajo.
- Encienda la herramienta y espere a que las cuchillas alcancen su velocidad máxima.
- Mueva el cepillo eléctrico suavemente, presione ligeramente la parte delantera al comienzo y presione en la parte posterior al finalizar el recorrido.
- Coloque el cepillo en el borde de la pieza de trabajo sin inclinarla hacia abajo.

**Nota:** El rebaje será más fácil si usted inclina ligeramente la pieza de trabajo y realiza el rebaje hacia abajo.

- La velocidad y el ajuste de profundidad de corte determinarán la calidad del resultado final. Para rebajes rápidos puede incrementar la profundidad de corte, de todas formas para conseguir un acabado de calidad deberá reducir el ajuste de profundidad de corte y realizar un rebaje más lento y suave.

- Retire la herramienta de la pieza de trabajo antes de soltar el interruptor de encendido/apagado.

- Entre varias tareas, puede dejar la herramienta en una superficie plana con el soporte (7) colocado, así evitará que las cuchillas estén en contacto directo con la superficie de trabajo.

## Corte biselado

- Para realizar el corte biselado tal como se muestra en la (Fig. XII), primero alinee la ranura en "V" (15) situada en la parte frontal base del cepillo con el borde esquinero de la pieza de trabajo.

**Nota:** Utilice la ranura pequeña para realizar un corte biselado más pequeño. Utilice la ranura grande para realizar un corte biselado más grande.

2. Encienda la herramienta y pase el cepillo a lo largo del borde esquinero.

**IMPORTANTE:** Realice un corte de prueba en un trozo de material desechable.

3. Retire la herramienta de la pieza de trabajo antes de soltar el interruptor de encendido/apagado.

## Accesorios

- Existen gran variedad de accesorios, cuchillas y equipo de protección personal para esta herramienta disponibles en su distribuidor Triton más cercano o a través de [www.toolsparsonline.com](http://www.toolsparsonline.com)

## Mantenimiento

**⚠ ADVERTENCIA:** Apague y desconecte siempre la herramienta la toma de corriente antes de realizar cualquier tarea de mantenimiento o limpieza.

### Inspección general

- Compruebe regularmente que todos los tornillos y elementos de fijación estén bien apretados. Con el paso del tiempo pueden vibrar y aflojarse.
- Inspeccione el cable de alimentación antes de utilizar esta herramienta y asegúrese de que no esté dañado.
- Las reparaciones deben realizarse por el fabricante o por un servicio técnico Triton autorizado.

### Sustitución de la correa de transmisión

- Se recomienda llevar guantes de piel para cambiar la correa por si entrara en contacto con las cuchillas.

1. Primero retire los cinco tornillos que sujetan la tapa (9) de la correa de transmisión (18) en el lado izquierdo del cepillo eléctrico visto desde la parte posterior.

2. Retire la correa dañada/desgastada y utilice un cepillo suave para limpiar las poleas y la zona circundante.

Nota: Lleve protección ocular cuando limpie la zona de las poleas.

3. Coloque la nueva correa sobre la polea inferior; Monte la mitad del otro extremo de la correa en la polea superior y a continuación coloque la correa en su posición adecuada mientras gira la polea con las manos.

4. Compruebe que la correa se desplace de forma uniforme haciendo girar la correa manualmente.

5. Vuelva a colocar la tapa y los cinco tornillos de sujeción.

6. Enchufe y encienda la herramienta durante uno o dos minutos para asegurarse de que el motor y la correa estén funcionando correctamente.

### Sustitución de las escobillas

- Se recomienda llevar guantes de protección de piel cuando cambie las escobillas.
1. Para sustituir las escobillas, retire los tornillos de la tapa de acceso a las escobillas (10) situados en la parte posterior de la herramienta.
  2. Desconecte los cables de las escobillas (imagen A).
  3. Utilice un destornillador para sacar las escobillas fuera de su compartimento (imagen B).
  4. Utilice un destornillador con punta plana para abrir el soporte de las escobillas (imagen C). A continuación, retire las escobillas.
  5. Introduzca las escobillas dentro del soporte y asegúrese de que la ranura de la escobilla esté correctamente alineada con las patillas (imagen E).
  6. Apriete el resorte de la escobilla (imagen F).
  7. Coloque la escobilla nueva en el soporte y conecte los cables.
  8. Vuelva a colocar la tapa de acceso a las escobillas y apriete los tornillos de sujeción.

### Limpieza

**⚠ ADVERTENCIA:** Utilice SIEMPRE guantes y protección ocular cuando limpie esta herramienta.

- Mantenga la herramienta siempre limpia. La suciedad y el polvo pueden dañar y reducir la vida útil su herramienta.
- Utilice un cepillo suave o un paño seco para limpiar la herramienta.
- Nunca utilice agentes cáusticos para limpiar las piezas de plástico. Se recomienda utilizar un paño humedecido con un detergente suave.
- Nunca deje que el agua entre en contacto con la herramienta.
- Asegúrese de que la herramienta esté completamente seca antes de utilizarla.
- Si dispone de un compresor de aire comprimido, sople con aire seco y limpio para limpiar los orificios de ventilación.

### Lubricación

Aplique regularmente spray lubricante en las piezas móviles.

## Almacenaje

- Guarde esta herramienta y accesorios en un lugar seco y seguro fuera del alcance de los niños.
- Mantenga esta herramienta lejos de fuentes de calor o de la luz solar directa.

## Reciclaje

Deshágase siempre de las herramientas eléctricas adecuadamente respetando las normas de reciclaje indicadas en su país.

- No deseche las herramientas y aparatos eléctricos junto con la basura convencional. Recíclelos siempre en puntos de reciclaje.
- Póngase en contacto con la autoridad local encargada de la gestión de residuos para obtener más información sobre cómo reciclar este tipo de herramientas correctamente.



## Garantía

Para registrar su garantía, visite nuestra página Web en [tritontools.com](http://tritontools.com)\* e introduzca sus datos personales.

Estos datos serán incluidos en nuestra lista de direcciones (salvo indicación contraria) de manera que pueda recibir información sobre nuestras novedades. Sus datos no serán cedidos a terceros.

## Recordatorio de compra

Fecha de compra: \_\_\_/\_\_\_/\_\_\_

Modelo: TMNPL Conserve su recibo como prueba de compra.

## Declaración de conformidad CE

El abajo firmante: Mr Darrell Morris

Autorizado por: Triton

Declara que el producto:

La presente declaración de conformidad se expide bajo la exclusiva responsabilidad del Fabricante. El objeto de la declaración descrita anteriormente es conforme a la legislación comunitaria de armonización pertinente.

**Código de identificación:** TMNPL

**Descripción:** Cepillo eléctrico compacto 60 mm, 450 W

**Está en conformidad con las directivas:**

- Directiva de máquinas 2006/42/CE
- Compatibilidad electromagnética 2014/30/UE
- Directiva RoHS 2011/64/UE
- EN 60745-1:2009+A11:2010
- EN 60745-2-14:2009+A2:2010
- EN 55014-1:2006+A2:2011
- EN 55014-2:1997+A2:2008
- EN 61000-3-2:2014
- EN 61000-3-3:2013

Las herramientas Triton disponen de un periodo de garantía de 3 años. Para obtener esta garantía, deberá registrar el producto online en un plazo de 30 días contados a partir de la fecha de compra. Si durante ese período apareciera algún defecto en el producto debido a la fabricación o materiales defectuosos, Triton se hará cargo de la reparación o sustitución del producto adquirido. Esta garantía no se aplica al uso comercial por desgaste de uso normal, daños accidentales o por mal uso de esta herramienta.

\* Registre el producto online en un plazo de 30 días contados a partir de la fecha de compra.

Se aplican los términos y condiciones.

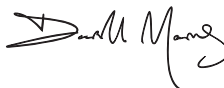
Esto no afecta a sus derechos legales como consumidor.

Organismo notificado: TÜV SÜD

La documentación técnica se conserva en: Triton

Fecha: 06/07/2017

Firma:



Mr Darrell Morris

Director General

Nombre y dirección del fabricante:

Powerbox International Limited, N° de registro: 06897059. Dirección legal: Powerbox, Boundary Way, Lufton Trading Estate, Yeovil, Somerset BA22 8HZ, Reino Unido.

# Tradução das instruções originais

## Introdução

Obrigado por comprar esta ferramenta Triton. Este manual contém as informações necessárias para a operação segura e eficiente deste produto. Este produto apresenta recursos exclusivos, e mesmo que você esteja familiarizado com produtos similares, é necessário ler o manual cuidadosamente para garantir que as instruções sejam totalmente entendidas. Assegure-se de que todos os usuários desta ferramenta leiam e compreendam totalmente o manual.

## Descrição dos símbolos

A placa de identificação de sua ferramenta poderá apresentar alguns símbolos. Estes indicam informações importantes sobre o produto, ou instruções sobre seu uso.



Use proteção auricular  
Use proteção ocular  
Use proteção respiratória  
Use proteção de cabeça



Use proteção nas mãos



Leia o manual de instruções



Cuidado!



**AVISO:** Peças móveis podem causar ferimentos por corte ou esmagamento.



**AVISO:** Lâminas ou dentes afiados!



Não toque nas lâminas antes da máquina ser desconectada da fonte de energia e antes que a mesma tenha parado completamente.



Fumaça ou gases tóxicos!



Desconecte sempre da tomada elétrica, quando for fazer ajustes, trocar acessórios, limpar, efetuar manutenção ou quando não estiver em uso!



Apenas para uso interno



Construção de classe II (isolamento duplo para proteção adicional)



Fusível de retardo interno com corrente nominal de 3,15A



Cumpra a legislação e padrões de segurança aplicáveis



### Proteção ambiental

O descarte de produtos elétricos não deve ser feito no lixo doméstico. Faça a reciclagem em locais próprios para isso. Consulte as autoridades locais ou seu revendedor para saber como reciclar.

## Abreviações Técnicas

V	Volts
~, AC	Corrente alternada
A, mA	Ampère
$n_0$	Velocidade sem carga
n	Velocidade nominal
opm	Órbitas ou oscilações por minuto
°	Graus
Hz	Hertz
—, CC	Corrente contínua
W, kW	Watt, Quilowatt
/min ou min <sup>-1</sup>	Operações por minuto
rpm	Rotações por minuto
dB(A)	Nível sonoro, em decibéis (A ponderado)
m/s <sup>2</sup>	Metros por segundo ao quadrado (magnitude de vibração)
Ø	Diâmetro

## Especificação

Número do modelo	TMNPL
Tensão de entrada	220 - 240 V~ 50/60 Hz
Potência	450W
Proteção contra entrada	IP20
Velocidade sem carga	16,000rpm
Cortes por minuto	32,000 CPM
Lâminas	2 lâminas padrão reversíveis de 60 mm
Largura de aplainamento	60 mm
Escala de profundidade de corte	0 a 1,5 mm
Profundidade de rebaixamento	8 mm
Saída de serragem, esquerda ou	direita
Fendas de chanfro em V	2
Suporte de apoio	Automático
Comprimento do cabo elétrico	3 m
Dimensões (C x L x A)	290 x 130 x 150 mm
Peso	2,3 kg

## Informações sobre ruído e vibração

Pressão sonora LPA	84,7 dB(A)
Potência sonora LWA	95,7 dB(A)
Incerteza K	3 dB(A)

Vibração ponderada ah (empunhadura principal)	2,256 m/s <sup>2</sup>
Vibração ponderada ah (empunhadura auxiliar)	3,375 m/s <sup>2</sup>
Incerteza K	1,5m/s <sup>2</sup>
O nível de intensidade sonora para o operador poderá ultrapassar 85 dB(A) e, por isso, são necessárias medidas de proteção.	
Como parte do desenvolvimento de nossos produtos, as especificações da Triton podem ser alteradas sem aviso	

**AVISO:** Use sempre proteção auditiva apropriada, quando o ruído da ferramenta ultrapassar 85dBa, e limite o tempo de exposição ao mínimo necessário. Caso os níveis de ruído se tornem desconfortáveis, mesmo com proteção auditiva, pare imediatamente de usar a ferramenta e verifique se a proteção auditiva está ajustada de forma correta, de modo prover a atenuação sonora correta, para o nível de ruído produzido pela ferramenta.

**AVISO:** A exposição do usuário à vibração da ferramenta pode resultar em perda de sentido do tato, dormência, formigamento e diminuição da capacidade de agarrar. A exposição por longo prazo pode levar a uma condição crônica. Caso necessário, limite o período de tempo que fica exposto à vibração e use luvas antivibração. Não use a ferramenta com as mãos expostas a uma temperatura abaixo da temperatura normal confortável, uma vez que a vibração tem mais impacto nessa condição. Use os valores fornecidos na especificação relativa a vibrações, para calcular a duração e frequência de uso da ferramenta.

Os níveis sonoros e de vibração da especificação são determinados de acordo com a norma EN60745, ou por padrão internacional similar. Os valores consideram o uso normal da ferramenta, sob condições de trabalho normais. Uma ferramenta moída, mantida ou usada incorretamente, poderá produzir níveis de ruído, e de vibração, superiores.

O site: [esta.euroopa.eu](http://esta.euroopa.eu) fornece mais informações sobre níveis de vibração e ruído em locais de trabalho, e pode ser útil para usuários domésticos que usam ferramentas por longos períodos de tempo.

## Avisos de segurança geral da ferramenta

**⚠️ AVISO:** Leia todos os avisos, instruções, ilustrações e especificações fornecidas com esta ferramenta. O descumprimento das instruções abaixo pode resultar em choque elétrico, incêndio e/ou ferimentos graves.

Guarde todos os avisos e instruções para consulta futura.

O termo "ferramenta elétrica", nos avisos, se refere a uma ferramenta que usa alimentação da rede elétrica (com cabo elétrico) ou uma bateria (sem cabo elétrico).

### 1) Segurança na área de trabalho

- Mantenha a área de trabalho limpa e bem iluminada. Áreas desorganizadas ou escuras facilitam os acidentes.
- Não opere ferramentas elétricas em atmosferas explosivas, como na presença de líquidos, gases ou serragens inflamáveis. Ferramentas elétricas produzem faíscas que podem inflamar a serragem ou os gases.
- Mantenha as crianças e observadores à distância, quando operar ferramentas elétricas. Distrações podem fazer você perder o controle.

### 2) Segurança elétrica

- O plugue de tomada da ferramenta deve ser compatível com a tomada de parede. Nunca modifique um conector, de maneira alguma. Nunca use conectores adaptadores em ferramentas elétricas com fio terra (aterradas). Conectores sem modificações e tomadas corretas reduzem o risco de choques elétricos.
- Evite o contato de seu corpo com superfícies aterradas, como tubos, radiadores, extensões e refrigeradores. Existe um risco maior de choque elétrico se o seu corpo estiver aterrado.
- Não deixe as ferramentas elétricas expostas a chuva ou condições úmidas. A água que entra em uma ferramenta elétrica, aumenta o risco de choque elétrico.
- Não abuse do cabo elétrico. Nunca use o cabo para carregar, puxar ou desconectar a ferramenta elétrica. Mantenha o cabo longe de calor, óleo, bordas afiadas ou peças móveis. Cabos danificados ou emaranhados aumentam o risco de choque elétrico.
- Quando operar uma ferramenta elétrica ao ar livre, use um cabo de extensão adequado para uso externo. A utilização de um cabo adequado para uso externo reduz o risco de choque elétrico.
- Se o uso da ferramenta elétrica em local úmido for inevitável, use uma fonte de alimentação protegida com Dispositivo de Corrente Residual (DR). O uso de um DR reduz o risco de choque elétrico.

### 3) Segurança pessoal

- Mantenha-se alerta, preste atenção no que faz e use de bom senso enquanto opera a ferramenta elétrica. Não use ferramentas elétricas quando estiver cansado ou sob influência de drogas, álcool ou medicamentos. Um momento de desatenção, quando se opera uma ferramenta elétrica, pode resultar em ferimentos pessoais graves.
- Use equipamentos de proteção individual. Use sempre proteção ocular. Equipamentos de proteção como máscara respiratória, calçados de proteção antiderrapantes, capacete ou protetores auditivos, usados de acordo com as condições apropriadas, reduzem a ocorrência de ferimentos.
- Evite partidas não intencionais. Certifique-se de que o interruptor esteja na posição desligada, antes de conectar a ferramenta à fonte de alimentação e/ou bateria, quando estiver transportando a ferramenta. Transportar ferramentas elétricas com seu

dedo no interruptor ou energizar ferramentas elétricas com o interruptor na posição ligada, propicia acidentes.

- Remova todas as chaves ou ferramentas de trabalho, antes de ligar a ferramenta elétrica. Uma chave deixada em uma peça rotativa da ferramenta elétrica poderá resultar em ferimentos.
- Não se estique demais. Mantenha sempre o equilíbrio e os pés em local firme. Isto permite um melhor controle da ferramenta em situações inesperadas.
- Vista-se apropriadamente. Não use joias, nem roupas largas. Mantenha cabelos e roupas longe das peças móveis. Roupas largas, joias e cabelos longos podem ficar presos nas peças móveis.
- Se for utilizar dispositivos para a aspiração e coleta de pó, assegure-se de que estejam conectados e sejam usados corretamente. O uso da coleta de pó pode reduzir os riscos associados à exposição ao pó.
- Não deixe que a familiaridade adquirida com o uso da ferramenta o torne complacente e ignore os princípios de segurança da ferramenta. Uma ação descuidada pode causar danos sérios em uma fração de segundo.
- Use e cuidados com a ferramenta elétrica
  - Não force a ferramenta elétrica. Use a ferramenta correta para sua aplicação. A ferramenta correta fará o trabalho melhor e com mais segurança, com a produtividade para a qual foi projetada.
  - Não use a ferramenta elétrica se o interruptor liga/desliga não estiver funcionando. Qualquer ferramenta que não puder ser controlada com o interruptor liga/desliga é perigosa e deve ser consertada.
  - Desconecte o conector de tomada da rede elétrica e/ou remova a bateria da ferramenta, antes de realizar quaisquer ajustes, trocar acessórios ou de guardá-la. Estas medidas de segurança preventivas reduzem o risco de se ligar a ferramenta por acidente.
  - Guarde a ferramenta elétrica fora do alcance de crianças, quando não estiver em uso, e não permita que pessoas não familiarizadas com a ferramenta, e com estas instruções, a operem. Ferramentas elétricas são perigosas nas mãos de pessoas não treinadas.
  - Preservação da ferramenta elétrica e acessórios. Verifique o alinhamento ou emperramento das peças móveis, se existem peças quebradas ou outra condição que possa afetar a operação da ferramenta. Se a ferramenta estiver danificada, providencie o conserto, antes de usá-la. Muitos acidentes são causados por ferramentas mal conservadas.
- Mantenha as ferramentas de corte limpas e afiadas. Ferramentas de corte com bordas afiadas, quando mantidas corretamente, são menos propensas a emperamentos e mais fáceis de controlar
- Use a ferramenta elétrica, seus acessórios e outros elementos de acordo com estas instruções, considerando as condições de trabalho e o serviço a ser executado. O uso da ferramenta para operações diferentes daquelas para as quais foi projetada pode resultar em uma situação de risco
- Mantenha as empunhaduras secas, limpas e livres de óleo e graxa. Empunhaduras escorregadias não são seguras para o manuseamento e controle da ferramenta em situações inesperadas.
- Serviço
  - Entregue sua ferramenta para reparos a pessoal técnico qualificado, que use apenas peças de reposição originais. Isto garantirá que a ferramenta continuará oferecendo segurança.

## Segurança adicional para plainas elétricas

**⚠️ AVISO:**

- Aguarde o cortador da ferramenta parar antes de posar a ferramenta. Um cortador giratório exposto poderá tocar na superfície, levando a uma possível perda de controle e ferimentos graves.
- Segure a ferramenta elétrica apenas pelas empunhaduras e superfícies aderentes isoladas, uma vez que o cortador poderá cortar o próprio cabo da ferramenta. O corte de um cabo elétrico pode eletrificar as partes metálicas da ferramenta, provocando um choque elétrico no operador.
- Use uma morsa ou outra forma prática de apoiar e prender a peça de trabalho a uma plataforma firme. Segurar a peça de trabalho com a mão ou contra o corpo é um arranjo instável que poderá levar à perda de controle.
- Caso seja necessário trocar o cabo de alimentação, isto deverá ser feito pelo fabricante ou seu agente autorizado, de modo a evitar riscos.
- Recomenda-se que a ferramenta seja sempre alimentada por meio de um dispositivo de corrente residual (DR) com especificação nominal de 30mA ou menos.
- Use proteção respiratória apropriada: O uso desta ferramenta pode produzir pó contendo substâncias químicas causadoras de câncer, defeitos congênitos ou outras alterações reprodutivas. Algumas madeiras contêm conservantes como o Arseniato de Cobre Cromatado (CCA) que podem ser tóxicos. Quando se lixam, perfuram ou cortam tais madeiras, deve ser tomado cuidado adicional para evitar a inalação e reduzir o contato com a pele.



## IMPORTANTE

- Use detectores adequados para determinar se existem tubulações elétricas, de gás, ou de água, ocultas na área de trabalho, ou chame a empresa responsável pelas mesmas para obter assistência. O contato com cabos elétricos poderá provocar choques e incêndios. Danificar uma tubulação de gás poderá levar a uma explosão. A perfuração de uma tubulação de água é um dano material e poderá provocar choques elétricos.
- Não mexa no ejetor de serragem com suas mãos. Poderá feri-las devido às peças rotativas.
- Recomenda-se fortemente o uso de uma máscara e de um sistema de extração de pó, durante a utilização deste equipamento. As plainas elétricas produzem uma grande quantidade de pó e algumas peças de trabalho poderão produzir pó tóxicos.
- Use apenas lâminas afiadas. Manuseie as lâminas com muito cuidado.
- a) Verifique se a tensão indicada na etiqueta da ferramenta corresponde à tensão da fonte de alimentação elétrica.
- b) Assegure-se de que todos os pregos, parafusos, etc., foram removidos da peça de trabalho, antes de iniciar a tarefa. De outra forma, poderão ocorrer danos à lâmina ou plaina, criando-se um risco de segurança.
- c) Assegure-se de que todas as roupas, cordões, pias, correntes e itens similares são removidos da área de trabalho. Para evitar o enroscamento no mecanismo da plaina:
- d) Garanta que os parafusos de instalação da lâmina estão firmemente apertados, antes da operação.
- e) Antes de usar a plaina na peça de trabalho, ligue-a e deixe-a funcionar durante um tempo. Verifique a presença de vibrações ou oscilações que possam indicar uma lâmina mal instalada ou desbalanceada.
- f) Deixe a máquina atingir a velocidade de operação antes de tocar a peça de trabalho com a lâmina ou acessório de corte.
- g) Antes de ligar e operar a plaina, assegure-se de que está segurando-a corretamente com ambas as mãos.
- h) Garanta que a plaina se mantenha a pelo menos 200 mm de seu rosto e corpo.
- i) Aguarde até que as lâminas atinjam a velocidade de operação, antes de iniciar os cortes.
- j) Quando cortar madeira úmida, as aparas poderão entupir o funil. Desligue a ferramenta, desconecte-a da alimentação e remova as aparas com um pedaço de madeira. Nunca introduza seu dedo no funil de aparas.
- k) Antes de realizar quaisquer ajustes, limpeza ou manutenções, desligue SEMPRE a máquina e aguarde até que o acessório de corte pare de girar completamente.
- l) Quando for abandonar a máquina, desconecte-a SEMPRE da alimentação elétrica.
- m) Quando a plaina não estiver em uso, desconecte-a da alimentação elétrica e coloque a base dianteira sobre um bloco de madeira, de modo que as lâminas não entrem em contato com nada.
- n) Substitua todas as lâminas ao mesmo tempo. Do contrário, o desbalanceamento resultante provocará vibrações e reduzirá a vida útil da plaina e das lâminas.

## Segurança da ferramenta de corte

**AVISO:** Antes de conectar uma ferramenta a uma fonte de energia (conector do interruptor de energia da rede, tomada de parede, etc.), certifique-se de que a voltagem de alimentação tem o mesmo valor que o especificado na etiqueta de identificação da ferramenta. Uma fonte de energia com uma voltagem acima da especificada para a ferramenta poderá resultar em ferimentos graves e danificar a ferramenta. Se estiver em dúvida, não conecte a ferramenta. Usar uma fonte de energia com voltagem abaixo da voltagem nominal, especificada na placa de identificação, poderá ser prejudicial para o motor.

### Use a ferramenta de corte correta

- Assegure-se de que a ferramenta de corte é adequada ao trabalho. Não assuma que uma ferramenta é adequada sem antes ler a documentação do produto.

### Proteja seus olhos

- Use sempre proteção adequada para os olhos, quando estiver usando ferramentas de corte.
- Óculos comuns não são concebidos para oferecer qualquer proteção quando se usa este produto, pois suas lentes não são resistentes a impactos e podem se despedaçar.

### Proteja sua audição

- Use sempre proteção auricular apropriada, quando o ruído da ferramenta ultrapassar 85dB.

### Proteja sua respiração

- Assegure-se de que você e os demais à sua volta estão utilizando máscaras contra poeira adequadas.

### Proteja suas mãos

- Não deixe suas mãos se aproximarem do disco ou lâminas de corte. Quando trabalhar com peças de madeira mais curtas, use um extensor e as ferramentas elétricas adequadas.

## Esteja ciente de onde estão os outros à sua volta

- É responsabilidade do usuário da máquina garantir que as pessoas que estão na vizinhança do local de trabalho não sejam expostas a ruidos e poeiras perigosas e também que estejam usando equipamento de proteção adequado.

## Objetos ocultos

- Inspeccione a peça de trabalho e remova todos os pregos e outros objetos embutidos, antes de iniciar o corte.
- Não tente cortar materiais que contenham objetos embutidos, a menos que a ferramenta de corte instalada em sua máquina seja própria para esse tipo de trabalho.
- Podem existir fiações e tubulações escondidas atrás de paredes, painéis de carrocerias podem esconder tubulações de combustível, e gramados altos podem esconder pedras e vidros. Verifique sempre a área de trabalho antes de prosseguir.

## Tome cuidado com o material arremessado pela máquina

- Em algumas situações, os resíduos são arremessados com muita velocidade pela ferramenta. É responsabilidade do usuário garantir que outras pessoas que estejam no local de trabalho estejam protegidas contra a possibilidade de serem atingidas por material arremessado.

## Instalação de ferramentas de corte

- Garanta que as ferramentas de corte são instaladas de forma correta e firme e verifique se todas as ferramentas e chaves foram removidas da máquina, antes do uso.
- Use apenas as ferramentas de corte recomendadas para sua ferramenta.
- Não tente fazer modificações em ferramentas de corte.
- Assegure-se de que as lâminas estão afiadas, em boas condições e corretamente instaladas.
- Não tente amolar as lâminas que não foram feitas para serem afiadas. Especialmente lâminas temperadas ou feitas de ligas duras geralmente contendo tungstênio.
- As lâminas que puderem ser afiadas deve ser de acordo com as instruções do fabricante referentes as mesmas. Essas instruções poderão definir um número máximo de vezes que a lâmina pode ser afiada.
- As lâminas que podem ser afiadas devem ser inspecionadas de forma mais completa antes do uso, e trocadas imediatamente, caso haja alguma dúvida a respeito de sua adequação ao uso.
- Caso uma lâmina colida com um objeto embutido durante seu uso, para o qual não foi concebida, deve ser substituída imediatamente.

## Sentido de alimentação

- Introduza sempre as peças de trabalho na área de corte contra o sentido de movimentação da lâmina ou ferramenta de corte.

## Tome cuidado com o calor

- As ferramentas de corte e peças de trabalho podem ficar quentes durante o uso. Não tente trocar as ferramentas até que tenham esfriado completamente

## Controle de poeira/serragem

- Não deixe que poeira ou serragem se acumulem. A serragem representa um perigo de incêndio e alguns tipos de limalhas metálicas são explosivas.
- Tome cuidado adicional quando estiver cortando madeira ou metal. As centelhas produzidas pelo corte de metais são uma causa comum de incêndios em madeiras.
- Sempre que possível, use um sistema de coleta e extração de serragem de modo a manter um ambiente de trabalho mais seguro.

## Familiarização com o produto

1. Botão de ajuste de profundidade
2. Bocal de extração de pó/serragem
3. Interruptor Liga/Desliga
4. Botão de trava
5. Empunhadura
6. Cabo de alimentação elétrica
7. Pé de descanso traseiro
8. Chave de boca
9. Capa da correia do motor
10. Tampa de acesso às escovas do motor
11. Tambor de lâminas

12. Lâmina
13. Mordente da lâmina
14. Parafusos do mordente da lâmina
15. Ranhuras do chanfro
16. Base
17. Saco de coleta de pó/serragem
18. Correia de acionamento

## Uso Pretendido

Miniplana elétrica manual, para uso em aplainamentos de carga leve a média, com profundidade de corte ajustável e profundidade de rebaxamento de 8 mm. Pode ser usada em madeiras duras e macias.

## Desembalagem da sua ferramenta

- Desembale e inspecione cuidadosamente seu produto. Familiarize-se completamente com todos os recursos e funções
- Certifique-se de que todas as peças do produto estão presentes e em bom estado. Caso estejam faltando peças ou existam peças danificadas, substitua-as primeiro, antes de tentar usar a ferramenta.

## Antes do uso

**AVISO:** Assegure-se SEMPRE de que a ferramenta está desligada e desconectada da tomada de energia, antes de instalar ou remover a lâmina e os tambores de fixamento.

## Substituição das lâminas

- A plaina é equipada com lâminas reversíveis, que podem ser invertidas quando cegas. Quando ambos os lados de uma lâmina houverem sido usados, esta deverá ser descartada.
- Seu revendedor Triton fornece lâminas de plaina de reposição.

## Remoção e instalação de lâminas de plaina

**AVISO:** Lâminas de plaina são afiadas! Use sempre luvas adequadas quando manusear lâminas de plaina.

- As lâminas possuem fio de corte em ambos os lados e, portanto, são reversíveis. Se uma lâmina estiver desgastada ou danificada em um dos lados, você poderá reinstalá-la ao contrário, de modo a usar o outro fio.

**IMPORTANTE:** A troca de uma única lâmina só deverá ser feita, se a lâmina estiver danificada. Se a lâmina estiver gasta, todas as lâminas do tambor deverão ser substituídas, de modo a evitar operação desbalanceada, que poderia causar uma vibração perigosa e danificar a ferramenta.

- Caso esteja trocando as lâminas, use lâminas de mesmas dimensões e peso, ou o tambor irá oscilar e vibrar, produzindo um aplainamento de má qualidade e, possivelmente, uma quebra.
- A qualidade do acabamento depende da instalação correta das lâminas. Remova todas as aparas de madeira, ou outros materiais estranhos que estejam aderidos ao tambor de lâminas ou mecanismos de aperto das lâminas.

1. Gire o tambor de lâminas (11) de modo que uma Lâmina (12) fique virada para cima, de forma a ficar acessível.
2. Usando a Chave (8)(fig. I), solte os três parafusos do mordente da lâmina (14) (fig. II), apenas o suficiente para remover o mecanismo do tambor.
3. Retire a Lâmina da fenda do Mordente da lâmina, usando um pedaço de madeira pequeno, para empurrar a lâmina para fora (fig. III).
4. Deslize a Lâmina (12) para dentro da fenda no Mordente da lâmina (fig. IV) de modo que o ponto da borda da lâmina fique mais perto das Ranhuras do chanfro (15), que se afunilam em direção à Base (16), correspondendo ao contorno do mordente da lâmina.
5. Assegure que ambas as pontas da lâmina estejam igualmente protuberantes (fig. V).
6. Aperte os Parafusos do mordente da lâmina (fig. VI).

**Nota:** Não tente ajustar a lâmina com os Parafusos do mordente da lâmina (13), que vêm pré-ajustados de fábrica.

## Ajuste correto das lâminas

- É essencial que as lâminas sejam ajustadas corretamente e a peça de trabalho ficará rústica e irregular. Para obter um corte suave e limpo, as lâminas devem ser instaladas de modo que seu fio de corte esteja absolutamente nivelado; ou seja, fique paralelo com a superfície da base traseira (b)(fig. III).

### Entalhes na superfície

- O fio de corte de uma ou todas as lâminas não está paralelo à base traseira (fig. IV).

### Sulco inicial

- Uma, ou todas as lâminas, não estão salientes o bastante em relação à base traseira (fig. IX).

## Ajuste da profundidade de aplainamento

1. Gire o Botão de ajuste de profundidade (1) no sentido horário, para obter um corte mais profundo, e no sentido anti-horário, para obter um corte mais raso.
2. As calibrações do anel, sob o Botão de ajuste de profundidade indicam a profundidade de corte. Por exemplo, quando '1,0' fica próximo do ponteiro na frente da plaina, a profundidade de corte é de aproximadamente 1,0 mm.
3. Se a profundidade de corte for crítica, aplane um pedaço de madeira descartável, meça a diferença em espessura e corrija o ajuste de profundidade.

## Uso do pé de descanso traseiro

- O Pé de descanso traseiro (7) protege as peças de trabalho de danos, quando a ferramenta é posta de lado.
- O Pé dobra-se automaticamente para trás durante o aplainamento (fig. X).

## Extração de pó/serragem

**AVISO:** Use sempre um aspirador de oficina, sistema de extração de pó ou saco de pó/serragem (17), quando operar esta ferramenta.

- Um sistema de extração ou aspiração de pó poderá ser conectado no Bocal de extração de pó/serragem (2) (fig. XI).

- O saco de pó/serragem (17) poderá ser conectado ao Bocal de extração de pó/serragem.

**AVISO:** NUNCA remova obstruções do Bocal de extração de pó/serragem, enquanto as lâminas e o tambor de lâminas estão girando. Desconecte sempre a ferramenta da alimentação elétrica, antes de remover quaisquer obstruções.

## Operação

### Acionamento e desligamento

**AVISO:** Antes de ligar a ferramenta na tomada elétrica, verifique sempre se o interruptor ON/OFF (3) e o Botão de trava (4) estão funcionando corretamente.

5. Conecte o cabo de energia (6) na tomada da rede elétrica.
6. Para ligar, pressione o Botão de trava (4) e aperte, simultaneamente, o Interruptor ON/OFF (3).

**Nota:** O Botão de trava pode ser solto, uma vez que a plaina esteja funcionando.

7. Para desligar a serra, solte o gatilho ON/OFF.

<exclamation triangle> Observe que as lâminas da plaina continuam girando por algum tempo após o desligamento da máquina. Espere até que o motor tenha parado completamente, antes de pousar a plaina na bancada, evitando danificar as lâminas da plaina ou a superfície de apoio. Caso deseje apoiar a plaina de lado, não a coloque com o lado da saída de ar para baixo, para evitar que pó ou serragem entrem no motor.

8. Se a plaina não for ser usada por um período de tempo curto, coloque o Botão de controle de profundidade (1) na posição '0' e apóie a frente da plaina sobre um bloco de madeira, para manter a base afastada da superfície. Assegure que o Pé de descanso traseiro (7) está abaixado, para proteger as lâminas.

## Aplainamento

**AVISO:** Mover a ferramenta muito rápido poderá provocar cortes de má qualidade e danificar as lâminas ou o motor. Movê-la lentamente poderá queimar ou desfigurar o corte. A velocidade correta de corte depende do tipo de material sendo cortado e da profundidade de corte. Pratique antes em um pedaço de material descartável, para aprender a velocidade de movimento correta.

**AVISO:** Use sempre as duas mãos para segurar a plaina.

**AVISO:** Onde possível, prenda a peça de trabalho em uma bancada.

1. Descanse a frente da plaina sobre a peça de trabalho, garantindo que as lâminas não (12) tocam a peça de trabalho.
2. Ligue a plaina e aguarde as lâminas atingirem a velocidade de operação.
3. Mova a plaina suavemente para a frente, aplicando pressão na frente da ferramenta no início do aplainamento, e pressão na traseira da ferramenta em direção ao final do curso de aplainamento.
4. Empurre a plaina além da borda da peça de trabalho sem incliná-la para baixo.

**Nota:** Aplainar se torna mais fácil se você mantiver a peça de trabalho ligeiramente inclinada, longe de seu corpo, de modo que aplaine 'para baixo'.

5. A velocidade de aplainamento e a profundidade de corte determinam a qualidade do acabamento. Para cortes grosseiros, pode-se aumentar a profundidade de corte, porém para se obter um acabamento bom, será necessário reduzir a profundidade de corte e avançar a ferramenta mais lentamente.
6. Erga a ferramenta da peça de trabalho, antes de soltar o gatilho ON/OFF, desligando a ferramenta.
7. Entre operações, você pode colocar a plaina sobre uma superfície plana com o Pé de descanso traseiro (7) abaixado para suportar a ferramenta, de modo que as lâminas não toquem na superfície da peça de trabalho.

## Chanfrado

1. Para fazer um corte chanfrado (Fig. XII), alinhe a fenda de chanfro em 'V' (15) do tamanho requerido na base dianteira da plaina, com a borda de canto da peça de trabalho.

**Nota:** Use a fenda de chanfro em 'V' para cortar um chanfro mais raso e a fenda maior para cortar um chanfro mais profundo.

2. Ligue a plaina e passe-a sobre a borda do canto.


**IMPORTANTE:** Faça SEMPRE primeiro um teste em um pedaço de material descartável.

3. Erga a ferramenta da peça de trabalho, antes de soltar o gatilho ON/OFF, desligando a ferramenta.

## Acessórios

- Seu revendedor Triton possui à disposição uma família de acessórios e consumíveis, incluindo lâminas de serra, mordentes adicionais e equipamento de proteção individual.
- Peças de reposição podem ser obtidas através do site: [www.toolsparsonline.com](http://www.toolsparsonline.com)

## Manutenção

 **AVISO:** Garanta que a ferramenta está desligada e que o conector está fora da fonte de alimentação, antes de fazer qualquer ajuste ou executar qualquer procedimento de manutenção.

### Inspecção geral

- Verifique regularmente se todos os parafusos de montagem estão apertados. Eles podem se soltar com o tempo devido à vibração.
- Antes de cada uso, inspecione o cabo de alimentação da ferramenta por partes danificadas ou gastas. E isto também se aplica aos cabos de alimentação elétrica da ferramenta.
- Caso seja necessário trocar o cabo de alimentação, o mesmo deverá ser feito pelo fabricante ou seu agente autorizado, de modo a evitar riscos.

### Substituição da correia de acionamento

- Recomenda-se usar luvas de couro, quando trocar a correia, para proteger as mãos, caso aconteça de tocarem nas lâminas.
1. Para trocar a Correia de acionamento (18), remova os três parafusos Phillips que prendem a Capa da correia de acionamento (9).
  2. Remova a correia danificada/desgastada e use uma escova macia para limpar as polias e a área em volta.

**Nota:** Use proteção ocular quando estiver limpando a área das polias.

3. Instale a nova correia sobre a polia inferior. Encaixe pela metade a outra ponta da correia em cima da polia e, então, role a correia até seu lugar, enquanto gira a polia.
4. Verifique se a correia se movimenta uniformemente, girando-a com a mão.
5. Troque a capa e os parafusos de fixação.
6. Conecte a ferramenta à energia elétrica e acione a plaina durante um minuto ou dois, para se assegurar de que o motor e a correia estão funcionando corretamente.

## Troca de escovas

- Recomenda-se usar luvas de couro, quando trocar as escovas, para proteger as mãos, caso aconteça de tocarem nas lâminas.

1. Para trocar as escovas, remova os três parafusos Phillips que prendem a Tampa de acesso às escovas (10).
2. Desconecte os cabos das escovas (figura A).
3. Com uma chave de fenda, retire as escovas de suas posições (figura B).
4. Use uma chave de fenda para abrir o retentor do alojamento de cada escova (figura C) e, então, remova a escova (figura D).
5. Insira a escova nova corretamente no alojamento, garantindo que a ranhura do carbono está no mesmo lado do garfo de alinhamento (figura E).
6. Pressione a mola da escova para dentro e feche a aba do retentor do alojamento (F).
7. Reinsira a nova escova, com sua caixa, na posição de retenção e reconecte os cabos.
8. Re-encaixe a Tampa de acesso às escovas e prenda-a com os parafusos Phillips.

## Limpeza

 **AVISO:** Use SEMPRE equipamento de proteção, incluindo proteção ocular e luvas, quando limpar esta ferramenta.

- Mantenha sua ferramenta limpa o tempo todo. A sujeira e o pó produzem desgaste acelerado das peças internas e encurtam a vida útil da ferramenta.
- Limpe o corpo de sua ferramenta com uma escova macia e pano seco.
- Nunca use agentes cáusticos para limpar peças plásticas. Caso não seja suficiente uma limpeza seca, recomenda-se o uso de um pano úmido com detergente suave.
- Água não deve nunca entrar em contato com a ferramenta.
- Assegure-se de que a ferramenta está completamente seca, antes de usá-la.
- Se houver ar comprimido disponível, use-o para soprar a sujeira nos orifícios de ventilação (onde aplicável).

## Lubrificação

- Lubrifique todas as peças móveis com um aerossol lubrificante adequado, em intervalos regulares.

## Armazenamento

- Guarde esta ferramenta com cuidado, em um lugar seguro e seco, fora do alcance de crianças.
- Armazene longe da luz do sol

## Descarte

Cumpra sempre as leis nacionais ao descartar ferramentas elétricas que não funcionam mais e cujo reparo não é mais viável.

- Não descarte ferramentas elétricas, ou outros equipamentos elétricos e eletrônicos (WEEE) no lixo doméstico.
- Contate a autoridade local de eliminação de resíduos para saber o modo correto de descartar ferramentas elétricas.

## Garantia

Para registrar sua garantia, visite nosso site em [tritontools.com](http://tritontools.com)\* e cadastre suas informações.

Seus dados serão incluídos em nossa lista de endereços (a menos que indicado de outro modo) para que você receba informações sobre lançamentos futuros. Os dados que nos fornecer não serão repassadas a terceiros.

## Registro de compra

Data de compra: \_\_\_/\_\_\_/\_\_\_

Modelo: TMNPL Retenha sua nota fiscal como comprovante de compra.

## Declaração de conformidade

O abaixo assinado: **Sr. Darrell Morris**

Conforme autorizado por: Triton

Declara que o equipamento

Está declaração foi emitida sobre a responsabilidade do fabricante.

A presente declaração está em conformidade com a Legislação de Harmonização da União (Norma europeia).

**Código de identificação:** TMNPL

**Descrição:** Mini-plaina 450W

**Está em conformidade com os seguintes padrões e diretivas:**

- Diretiva de Maquinário 2006/42/EC
- Diretiva de EMC 2014/30/EU
- Diretiva de RoHS 2011/65/EU
- EN 60745-1:2009+A11:2010
- EN 60745-2-14:2009+A2:2010
- EN 55014-1:2006+A2:2011
- EN 55014-2:1997+A2:2008
- EN 61000-3-2:2014
- EN 61000-3-3:2013

A Triton Precision Power Tools garante ao comprador deste produto que se qualquer peça estiver comprovadamente defeituosa devido a falhas de material ou mão de obra durante os próximos 3 anos a partir da data da compra original, Triton irá reparar ou, a seu critério, substituir a peça defeituosa sem custo.

Esta garantia não se aplica ao uso comercial nem se estende ao desgaste normal ou a danos decorrentes de acidente, abuso ou uso indevido.

\* Registre-se online dentro de 30 dias após a compra.

Termos e condições aplicáveis.

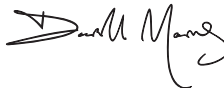
Isto não afeta seus direitos legais.

**Orgão notificado:** TÜV SÜD

**A documentação técnica é mantida pela:** Triton

**Data:** 06/07/2017

**Assinado:**



Mr Darrell Morris

Diretor Geral

**Nome e endereço do fabricante:**

Powerbox International Limited, Company No. 06897059. Registered address: Powerbox, Boundary Way, Lufton Trading Estate, Yeovil, Somerset BA22 8HZ, United Kingdom.

# Tłumaczenie oryginalnej instrukcji

## Wprowadzenie

Dziękujemy za zakup narzędzia marki Triton. Zalecamy zapoznać się z niniejszymi instrukcjami: zawierają one informacje niezbędne dla bezpiecznej i wydajnej obsługi produktu. Produkt posiada szereg unikalnych funkcji, dlatego też, nawet, jeśli jesteś zaznajomiony z podobnymi produktami, przeczytanie instrukcji obsługi umożliwi Ci pełne wykorzystanie tego wyjątkowego projektu. Przechowuj niniejsze instrukcje w zasięgu ręki i upewnij się, że użytkownicy narzędzia przeczytali i w pełni zrozumieli wszystkie zalecenia.

## Opis symboli

Tabela znamionowa zawiera symbole dotyczące narzędzia. Stanowią one istotne informacje o produkcie lub instrukcje dotyczące jego stosowania.



Należy nosić środki ochrony słuchu  
Należy nosić okulary ochronne  
Należy nosić środki ochrony dróg oddechowych  
Należy używać kasku ochronnego



Należy nosić rękawice ochronne



Należy w całości przeczytać instrukcję obsługi



Uwaga!



**OSTRZEŻENIE:** Ruchome części mogą spowodować obrażenia ciała w postaci zmiędzeń i ran ciętych



**OSTRZEŻENIE:** Ostre zęby/ostrze



Nie wolno dotykać ostrzy, zanim maszyna nie zostanie wyłączona od zasilania, a ostrza całkowicie się zatrzymają.



Toksyczne opary lub gazy!



Należy zawsze odłączyć urządzenie od zasilania elektrycznego, podczas regulacji, wymiany akcesoriów, czyszczenia, konserwacji oraz gdy nie jest w użytku!



Do użytku wyłącznie w pomieszczeniach!



Konstrukcja klasy II (uziemienie ochronne)



Wewnętrzny bezpiecznik zwłoczny z natężeniem maksymalnym 3,15 A



Urządzenie zgodne z odpowiednimi przepisami i normami bezpieczeństwa



### Ochrona środowiska

Nie należy wyrzucać zużytych produktów elektrycznych wraz z odpadami komunalnymi. Jeśli jest to możliwe, należy przekazać produkt do punktu recyklingu. W celu uzyskania wskazówek dotyczących recyklingu należy skontaktować się z władzami lokalnymi lub sprzedawcą.

## Kluczowe skróty techniczne

V	Wolt
~, AC	Prąd przemienny
A, mA	Ampér, milli-Amp
n <sub>0</sub>	Prędkość bez obciążenia
n	Prędkość znamionowa
opm	Orbity bądź oscylacje na minutę
°	Stopnie
Hz	Herc
≡, DC	Prąd stały
W, kW	Wat, kilowat
/min or min <sup>-1</sup>	Obroty lub ruch postępowo zwrotny) na minutę
rpm	Obroty na minutę
dB(A)	Poziom hałasu w decybelach (A mierzony)
m/s <sup>2</sup>	Metry na sekundę do kwadratu (wartość drgań)
Ø	Średnica

## Dane techniczne

Numer modelu	TMNPL
Napięcie wejściowe	220–240 V~ 50/60 Hz
Moc	450 W
Stopień ochrony	IP20
Prędkość bez obciążenia	16,000 obr./min
Ilość cięć na minutę	32,000 cięć/min
Noże	2 dwustronne 60mm standard
Szerokość strugania	60 mm
Zakres głębokości cięcia	0–1,5 mm
Głębokość strugania	8 mm
Prawostronny lub lewostronny wyrzut wiurów	Prawostronny
Rowki typu V	2
Stopa postojowa	Automatyczna
Długość przewodu zasilającego	3 m
Wymiary (dł. x szer. x wys.)	290 x 130 x 150 mm
Waga	2,3 g

## Parametry emisji dźwięku i wibracji

Poziom ciśnienia akustycznego L <sub>pa</sub>	84,7 dB(A)
Poziom mocy akustycznej L <sub>wa</sub>	95,7 dB(A)
Niepewność pomiaru K	3 dB(A)
Wibracje pod obciążeniem ah (rękojeść główna handle)	2,256 m/s <sup>2</sup>
Wibracje pod obciążeniem ah (rękojeść główna handle)	3,375 m/s <sup>2</sup>



Niepewność pomiaru K

1,5 m/s<sup>2</sup>

Poziom natężenia dźwięku dla operatora może przekroczyć 85 dB(A) dlatego konieczne jest zastosowanie środków ochrony słuchu.

W wyniku nieprzerwanego procesu rozwojowego produktów, dane techniczne poszczególnych produktów Triton mogą ulegać zmianie bez uprzedniego powiadomienia.

**OSTRZEŻENIE:** Jeżeli poziom hałasu przekracza 85dB(A) należy zawsze stosować środki ochrony słuchu oraz, jeśli to konieczne, ograniczyć czas narażenia słuchu na nadmierny hałas. Jeśli poziom hałasu powoduje dyskomfort, nawet w przypadku zastosowania środków ochrony słuchu, niezwłocznie przestań korzystać z narzędzia i sprawdź czy środek ochrony słuchu jest prawidłowo zamontowany i zapewnia odpowiedni poziom tłumienia dźwięku w odniesieniu do poziomu hałasu wytwarzanego przez narzędzie.

**OSTRZEŻENIE:** Narażenie użytkownika na wibracje narzędzia może spowodować utratę zmysłu dotyku, drętwienie, mrowienie i zmniejszenie zdolności uchwytu. Długotrwałe narażenie może prowadzić do stanu przewlekłego. Jeśli jest to konieczne, ogranicz czas narażenia na wibrację i stosuj rękawice antywibracyjne. Nie korzystaj z urządzenia w trybie ręcznym w temperaturze niższej niż normalna komfortowa temperatura otoczenia, ponieważ zwiększy to efekt wywołany przez wibrację. Skorzystaj z wartości liczbowych podanych w specyfikacji dotyczącej wibracji, aby obliczyć czas trwania i częstotliwość pracy z narzędziem.

Poziom hałas i drgań w specyfikacji określone są zgodnie z normami międzynarodowymi. Wartości te reprezentują korzystanie z urządzenia w normalnych warunkach roboczych. Niedbała konserwacja, nieprawidłowy montaż lub nieprawidłowe użytkowanie urządzenia mogą spowodować wzrost poziomu hałasu oraz wibracji. [www.osha.europa.eu](http://www.osha.europa.eu) dostarcza informacji na temat poziomów hałasu i wibracji w środowisku pracy, które mogą być przydatne dla użytkowników prywatnych, korzystających z urządzenia przez długi czas.

## Ogólne instrukcje dotyczące bezpieczeństwa użytkownika elektronarzędzia

**OSTRZEŻENIE!** Zawsze należy się stosować do podstawowych zasad korzystania z elektronarzędzi (w tym informacji na temat bezpieczeństwa ujętych w niniejszej instrukcji) podczas ich użytkowania dla zmniejszenia ryzyka pożaru, porażenia prądem obrażeń ciała. Należy przeczytać wszystkie instrukcje przed rozpoczęciem pracy oraz zachować ją na przyszłość.

Zachowaj wszystkie instrukcje do wykorzystania w przyszłości.

Termin „elektronarzędzie” odnosi się do urządzenia zasilanego siecią (przewodowego) lub urządzenia zasilanego za pomocą baterii (bezprowadowego).

### 1) Bezpieczeństwo obszaru pracy

- a) **Zadbaj o prawidłową higienę i prawidłowe oświetlenie obszaru pracy.** Zanieczyszczenie lub brak wystarczającego oświetlenia obszaru pracy mogą doprowadzić do wypadków.
- b) **Nie należy używać elektronarzędzi w przestrzeniach zagrożonych wybuchem, np. w obecności łatwopalnych cieczy, gazów lub pyłów.** Urządzenia elektryczne wytwarzają iskry, które mogą podpałić pył lub opary.
- c) **Nie dopuszczaj dzieci ani innych osób do obszaru pracy elektronarzędzi.** Nieuwaga może spowodować utratę kontroli.

### 2) Bezpieczeństwo elektryczne

- a) **Wtyczka elektronarzędzia musi pasować do gniazda zasilania.** Nie wolno modyfikować wtyczki w żaden sposób. W przypadku elektronarzędzi z uzziemieniem nie należy stosować przejściówek. Oryginalne wtyczki i pasujące gniazda zmniejszają ryzyko porażenia prądem.
- b) **Unikaj dotykania uzziemionych powierzchni, takich jak rury, grzejniki, piece i lodówki.** Uziemienie ciała powoduje zwiększenie ryzyka porażenia prądem.
- c) **Nie wystawiaj elektronarzędzi na działanie deszczu lub wilgoci.** Przedostanie się wody do urządzenia zwiększa ryzyko porażenia prądem.
- d) **Nie należy nadrywać kabla.** Nigdy nie używaj go do przenoszenia, przeciągania lub odłączania elektronarzędzia. Trzymaj przewód z dala od źródeł ciepła, oleju, ostrych krawędzi lub ruchomych części urządzenia. Uszkodzone lub poplątane kable zwiększają ryzyko porażenia prądem.
- e) **W przypadku korzystania z urządzenia na wolnym powietrzu używaj przedłużacza przystosowanego do używania na zewnątrz.** Korzystanie z przedłużacza przystosowanego do używania na zewnątrz zmniejsza ryzyko porażenia prądem.
- f) **W przypadku korzystania z elektronarzędzia w miejscu o dużym natężeniu wilgoci należy używać gniazda zasilania wyposażonego w wyłącznik różnicowoprądowy (RCD).** Korzystanie z wyłącznika różnicowoprądowego zmniejsza ryzyko porażenia prądem.

### 3) Bezpieczeństwo osobiste

- a) **Podczas korzystania z elektronarzędzi bądź czujny, uważaj, co robisz i zachowaj zdrowy rozsądek.** Nie używaj ich, gdy jesteś zmęczony albo pod wpływem narkotyków, alkoholu lub leków. *Chwila nieuwagi podczas*

*obsługi urządzenia może spowodować poważne obrażenia ciała.*

- b) **Korzystaj ze środków ochrony osobistej.** Zawsze stosuj środki ochrony oczu. Wyposażenie ochronne, takie jak maska przeciwpyłowa, obuwie robocze antypoślizgowe na szorstkiej podszewce, kask ochronny lub nauszniczne ochronne używane w odpowiednich warunkach, zmniejsza ryzyko obrażeń.
- c) **Zapobiegaj przypadkowemu włączeniu urządzenia.** Przed podłączeniem do źródła zasilania i / lub akumulatora, podnoszeniem lub przenoszeniem narzędzia, upewnij się, że przelącznik zasilania znajduje się w pozycji wyłączającej. Przenoszenie urządzenia z palcem umieszczonym na wyłączniku zasilania lub podłączenie elektronarzędzia przy włączonym przelączniku zasilania stwarza ryzyko wypadku.
- d) **Przed włączeniem elektronarzędzia usuń z niego wszelkie klucze regulacyjne.** Narzędzie lub klucz pozostawiony w obracającej się części elektronarzędzia może spowodować obrażenia ciała.
- e) **Nie wychylaj się.** W każdej chwili zachowaj odpowiednią pozycję i równowagę. Umożliwia to lepszą kontrolę nad elektronarzędziem w nieoczekiwanych sytuacjach.
- f) **Noś odpowiednią odzież.** Nie zakładaj do pracy z elektronarzędziami luźnej odzieży ani biżuterii. Trzymaj włosy, odzież i rękawice z dala od ruchomych części urządzenia. Luźne ubranie, biżuteria lub długie włosy mogą zostać wciągnięte przez ruchome części urządzenia.
- g) **Jeśli do zestawu załączone są urządzenia do podłączania mechanizmów odsysania i zbierania pyłu, sprawdź czy są one przyłączone i prawidłowo zamocowane.** Korzystanie z urządzenia odsysającego pył może zmniejszyć zagrożenie pyłami.
- h) **Nie pozwól aby znajomość urządzenia, pozwoliła na ignorowanie zasad bezpieczeństwa not let familiarity gained from frequent use of tools allow you to become complacent and ignore tool safety principles.** Nieostrożne działanie może doprowadzić do poważnych obrażeń w ciągu sekund.

### 4) Użytkowanie i pielęgnacja elektronarzędzi.

- a) **Nie należy przeciążać urządzenia.** Używaj narzędzi odpowiednich do danego zastosowania. Prawidłowe narzędzie wykona zadanie lepiej i bezpieczniej w podanym zakresie sprawności.
- b) **Nie należy używać urządzenia, jeśli nie można go włączyć lub wyłączyć za pomocą odpowiedniego przelącznika.** Urządzenia, które nie mogą być kontrolowane za pomocą przelącznika są niebezpieczne i muszą zostać oddane do naprawy.
- c) **Przed dokonaniem regulacji, wymiany akcesoriów lub wybuchowaniem elektronarzędzia odłącz wtyczkę od źródła zasilania i / lub akumulatora i urządzenia.** Te prewencyjne środki bezpieczeństwa zmniejszają ryzyko przypadkowego uruchomienia elektronarzędzia.
- d) **Nie używane elektronarzędzie przechowuj w miejscu niedostępnym dla dzieci i nie dopuszczaj do nich osób nie znających elektronarzędzi lub ich instrukcji obsługi.** Elektronarzędzia stanowią niebezpieczeństwo w rękach niedoświadczonych użytkowników.
- e) **Przeprowadzaj konserwację elektronarzędzi.** Sprawdź urządzenie pod kątem nieprawidłowego ustawienia lub zablokowania elementów ruchomych, pęknięć części lub innych usterek, które mogą mieć negatywny wpływ na funkcjonowanie urządzenia. W przypadku usterki należy naprawić urządzenie przed ponownym użyciem. Niewłaściwa konserwacja elektronarzędzi jest przyczyną wielu wypadków.
- f) **Utrzymuj narzędzia tnące w czystości i dobrze naostrzone.** Zadbane narzędzia tnące z ostrymi krawędziami tnącymi rzadziej się zacinają i łatwiej nimi sterować.
- g) **Używaj elektronarzędzia, akcesoria, końcówki itp. zgodnie z tymi instrukcjami, biorąc pod uwagę warunki pracy i realizowane zadania.** Używanie narzędzi do wykonywania prac niezgodnych z ich przeznaczeniem może doprowadzić do niebezpiecznych sytuacji.
- h) **Utrzymuj rękojeści oraz powierzchnie uchwytów suchą, czystą bez oleju i smaru.** Śliskie uchwytły nie zapewniają bezpiecznej obsługi i kontroli narzędzia w nieoczekiwanych sytuacjach.

### 5) Serwis

- a) **Urządzenie powinno być serwisowane przez wykwalifikowany personel naprawczy przy użyciu wyłącznie oryginalnych części zamiennych.** Zagwarantuje to bezpieczeństwo elektronarzędzia.

# Dodatkowe instrukcje bezpieczeństwa dotyczące strugów elektrycznych

## ⚠ OSTRZEŻENIE!

- Należy odczekać, aż ostrze się zatrzyma przed zmianą jej ustawień. Odkryte noże mogą spowodować poważne zranienie operatora.
- UWAGA:** Powyższe ostrzeżenie odnosi się do strugów bez automatycznego zamykania osłony.
- Należy trzymać urządzenie wyłącznie za izolowane uchwyty gdyż może dojść do nagłego kontaktu ostrzy z przewodem zasilania. Przecięcie przewodu pod napięciem może spowodować, że odkryte metalowe elementy elektronarzędzia staną się przewodnikami prądu i mogą porazić operatora.
- Zaleca się korzystanie z zacisków, bądź innej podobnej metody do zabezpieczenia elementu obróbki na stabilnym podłożu. Przytrzymanie obrabianego elementu rękoma bądź opierając go o siebie, sprawia, że jest on niestabilny i stanowi ryzyko utraty kontroli.
- W razie konieczności wymiany przewodu zasilania, należy jej dokonać przez producenta bądź jego powiernika, aby uniknąć ryzyka bezpieczeństwa.
- Zalecane jest zasilanie urządzenia TYLKO z wykorzystaniem wyłącznika różnicowoprądowego (RCD) o znamionowym prądzie różnicowym nieprzekraczającym 30 mA.



- Używaj odpowiedniej ochrony dróg oddechowych: Korzystanie z powyższego urządzenia, powoduje emisję pyłu, który może zawierać substancje chemiczne, znane, jako przyczyna raka, wad wrodzonych oraz innych zaburzeń procesu reprodukcyjnego. Niektóre drewno zawiera środki konserwujące, takie jak arsenian miedzi i chromu (CCA), które mogą być toksyczne. Podczas szlifowania, wiercenia lub cięcia takich materiałów należy podjąć dodatkowe środki ostrożności, jednocześnie unikając wdychania oparów i zminimalizowania kontaktu ze skórą.

## ⚠ WAŻNE

- Skorzystaj z detektora w celu odkrycia ukrytego okablowania, śrub, bądź skorzystaj z pomocy lokalnej firmy. Kontakt z przewodami elektrycznymi grozi porażeniem elektrycznym. Przecięcie rur doprowadzających gaz, może spowodować wybuch. Uszkodzenie linii wodnych może spowodować uszkodzenie mienia lub porażenie prądem.
- Nie sięgaj rękami do wyrzutnika wiórów. Mogą zostać poranione przez obracające się części.
- Maska przeciwpyłowa oraz system odsysania pyłu są zalecane w czasie użytkowania powyższego urządzenia w celu ochrony operatora przed pyłem. Strugi elektryczne generują duże ilości pyłu, zaś niektóre materiały mogą produkować toksyczny pył.
- Korzystaj wyłącznie z ostrych noży. Ostrożnie obsługuj się nożami.
- a) Sprawdź zgodność napięcia na tabliczce znamionowej urządzenia z napięciem zasilania
- b) Należy się upewnić, że wszystkie gwóźdźce, śruby itp. zostały usunięte z przedmiotu obróbki przed rozpoczęciem obróbki. Mogą one spowodować uszkodzenie noża lub strugu oraz zagrożenie bezpieczeństwa
- c) Wszelkie szmatki, sznurki, wystające elementy, które mogą zostać wciągnięte w mechanizm struga należy usunąć z powierzchni pracy elektronarzędzia. Aby uniknąć wplątania w mechanizmie struga
- d) Przed rozpoczęciem korzystania z narzędzia upewnij się, że śruby instalacyjne noża są odpowiednio dokręcone
- e) Przed rozpoczęciem obróbki na chwilę uruchom urządzenie. Sprawdź urządzenie pod kątem wibracji i chybotań, które mogą świadczyć o źle zainstalowanym lub wyważonym nożu
- f) Przed zetknięciem urządzenia z przedmiotem obróbki, zaczekaj aż osiągnie ono pełną prędkość
- g) Należy obsługiwać strug obiema rękami upewniając się, że jest prawidłowo trzymane przed uruchomieniem maszyny
- h) Upewnij się, że strug znajduje się w odległości przynajmniej 200 mm od twarzy i ciała
- i) Przed zetknięciem urządzenia z przedmiotem obróbki, zaczekaj aż osiągnie ono pełną prędkość
- j) W przypadku obróbki mokrego drewna strużyny mogą zablokować wylot. Należy wtedy wyłączyć i odłączyć urządzenie od zasilania i usunąć wióry za pomocą patyczka

**OSTRZEŻENIE:** Nie wolno wkładać palców w otwór wylotu wiórów

- k) **ZAWSZE** wyłącz i odczekaj dopóki ostrza kompletnie się nie zatrzymają, przed dokonaniem jakichkolwiek ustawień, czyszczeniem bądź konserwacją

l) **ZAWSZE** należy odłączyć urządzenie od zasilania przed opuszczeniem stanowiska pracy oraz urządzenia bez nadzoru

- m) W przypadku przerwy w korzystaniu z urządzenia odłącz je od źródła zasilania i wesprzyj przednią część podstawy na drewnianym kloku, aby ostrza z niczym się nie stykały

- n) **Wymieniaj wszystkie noże jednocześnie.** Niezastosowanie się do tego zalecenia może spowodować utratę wyważenia i wibracje oraz skrócić żywotność strugi i noży

## Bezpieczeństwo korzystania z narzędzi tnących

**OSTRZEŻENIE.** Przed podłączeniem narzędzia do źródła zasilania (gniazdka zasilania wyłącznika sieciowego, sieci itp.) należy upewnić się, że napięcie zasilania jest takie samo, jak podano na tabliczce znamionowej urządzenia. Źródło zasilania o napięciu większym niż napięcie określone dla narzędzia może spowodować poważne obrażenia użytkownika oraz uszkodzenie narzędzia. W przypadku wątpliwości nie podłączaj urządzenia do danego źródła zasilania. Korzystanie ze źródła zasilania o napięciu mniejszym niż napięcie określone na tabliczce znamionowej jest szkodliwe dla silnika.

## Użytkowanie odpowiedniego narzędzia tnącego

- Należy się upewnić, że narzędzie tnące jest odpowiednio do danej pracy. Nie wolno zakładać, że narzędzie jest odpowiednie bez sprawdzenia dokumentacji produktu przed zastosowaniem

## Ochrona oczu

- Zawsze należy nosić odpowiednie środki ochrony oczu podczas korzystania z narzędzi tnących
- Okulary do czytania nie zapewniają żadnej ochrony podczas korzystania z narzędzia; zwykle soczewki nie są odporne na uderzenia i mogą ulec zniszczeniu

## Ochrona słuchu

- Zawsze należy nosić odpowiednie środki ochrony słuchu podczas korzystania z narzędzi, których poziom natężenia dźwięku może przekroczyć 85dB

## Ochrona dróg oddechowych

- Należy się upewnić o własnym oraz osób przebywających wokół o posiadaniu odpowiednich środków ochrony dróg oddechowych
- Ochrona dłoni
- Nie zbliżaj dłoni do tarczy, bądź noża tnącego. Korzystaj z odpowiedniego popychacza dla krótkich elementów

## Świadomość innych osób przebywających wokół

- Obowiązkiem operatora jest upewnić się o nie narażeniu osób znajdujących się w pobliżu obszaru roboczego na hałas lub kurz i wyposażeniu ich w odpowiedni sprzęt ochronny

## Ukryte przedmioty

- Należy sprawdzić przedmiot roboczy i usunąć wszystkie gwóźdźce i inne obiekty osadzone w przedmiocie przed rozpoczęciem cięcia
- Nie wolno ciąć przedmiotu, który posiada osadzone obiekty, wyjątkiem są narzędzia, które nadają się do takiej pracy
- Ściany mogą ukrywać okablowanie, rury odpływowe, panele nadwozia przewody paliwowe, zaś wysoka trawa kamienie i szkło. Należy, więc zawsze przed rozpoczęciem pracy dokładnie sprawdzić obszar roboczy.

## Montaż akcesorii tnących

- Należy się upewnić, że narzędzie tnące zostało prawidłowo zmontowane, a klucze i inne regulatory zostały usunięte przed rozpoczęciem pracy
- Należy używać tylko zalecanych akcesoriów dla danego urządzenia
- Nie wolno podejmować prób modyfikacji narzędzi skrawających
- Upewnij się, że noże są wystarczająco ostre, w dobrym stanie i odpowiednio zamontowane
- Nie próbuj ostrzyć noży, jeśli nie są do tego nie nadają, ostrzenie dotyczy noży specjalnie hartowanych bądź wykonanych z hartowanego stopu np. zawierających wolfram
- Noże, które nadają się do ostrzenia, powinny być ostrzone zgodnie z instrukcjami producenta. Może to dotyczyć ograniczonej liczby naostrzenia
- Ostrzone noże, powinny być częściej sprawdzane przed użyciem i natychmiastowo wymienione, w przypadku wątpliwości, co do ich stanu i użyteczności
- W przypadku osadzenia się noża w materiale podczas użycia, do którego nie został przeznaczony, należy go natychmiast wymienić

## Kierunek wprowadzania materiału

- Należy wprowadzać materiał w stronę ostrza/tarczy w kierunku przeciwnym do ruchu ostrza

## Uwaga na emisję ciepła

- Narzędzia tnące i obrabiane przedmioty nagrzewają się podczas użytkowania. Nie wolno dokonywać próby wymiany narzędzia do jego całkowitego ostygnięcia

## Kontrola odpadów

- Nie wolno dopuścić do spiętrzania się kurzu i materiału odpadowego. Trociny są zagrożeniem pożarowym, zaś niektóre metalowe opiłki są wybuchowe
- Należy zachować szczególną ostrożność podczas cięcia drewna i metalu. Wydobywające się iskry w trakcie cięcia elementów metalowych są częstą przyczyną pożarów pozostałych trocin i innych odpadów drewnianych
- W miarę możliwości należy używać systemu odsysania pyłu w celu zapewnienia bezpiecznego środowiska pracy

## Przedstawienie produktu

- Pokrętko regulacji głębokości
- Port odciągu pyłu/strużyn
- Przełącznik ON/OFF
- Przycisk blokady przełącznika Off
- Uchwyty
- Przewód zasilania
- Tylna stopa postojowa
- Klucz
- Oslona pasa napędowego
- Oslona dostępu do szczotek węglowych
- Bęben z nożami
- Nóż
- Ścisk noża
- Śruby ścisłu noża
- Rowki ścięcia
- Podstawa
- Worek na pył/strużyny
- Pas napędowy

## Zastosowanie zgodne z przeznaczeniem

Elektryczny mini strug ręczny do obróbki lekkiej lub średniej, z regulacją głębokości strugania i głębokością węgownania 8mm. Do zastosowania na drewnie miękkim i twardym.

## Rozpakowanie narzędzia

- Ostrożnie rozpakuj i sprawdź narzędzie. Zapoznaj się ze wszystkimi mechanizmami i funkcjami.
- Upewnij się, że narzędzie zawiera wszystkie części i są one w dobrym stanie. Jeśli brakuje pewnych części lub są one uszkodzone, należy uzupełnić lub wymienić je przed rozpoczęciem korzystania z narzędzia.

## Przygotowanie do eksploatacji

**OSTRZEŻENIE:** Przed przeprowadzeniem regulacji, instalacją lub wymianą ostrzy lub bębnow strugających należy ZAWSZE upewnić się, że narzędzie jest wyłączone i odłączone od źródła zasilania

### Wymiana noży

- Strug posiada ostrza dwustronne. Po stopieniu noża można go odwrócić na drugą stronę. Kiedy obie strony noża ulegną stopieniu, należy go wyrzucić
- Noże zamienne do struga są dostępne do nabycia u dostawcy narzędzi Triton

### Wijmowanie i instalacja noży skrawających

**OSTRZEŻENIE:** Noże struga są bardzo ostre! Należy zawsze nosić rękawice ochronne podczas obsługi noży.

- Noże dwustronne posiadają krawędzie tnące po obu stronach. Jeśli nóż ulegnie zużyciu lub uszkodzeniu z jednej strony, możesz zainstalować go ponownie i korzystać z drugiej krawędzi tnącej

**WAŻNE:** Pojedynczy nóż można wymienić jedynie w przypadku uszkodzenia. W przypadku zużycia należy wymienić wszystkie trzy noże równocześnie, aby zapobiec niesymetrycznemu działaniu, które może powodować niebezpieczne wibracje i uszkodzenie narzędzia.

- Podczas wymiany zainstaluj noże o tych samych wymiarach i wadze, ponieważ zabieganie to wywołuje wibracje i wibracje, które zakłócają struganie i mogą spowodować awarie.
  - Jakość wykończenia obróbki zależy, od jakości zainstalowanych noży. Należy usuwać wióry i inne obce ciała przylegające do bębna z nożami skrawającymi lub do zacisków noży.
- Obróć bęben z nożami (11), tak, aby noż (12) był zwrócony przodem w celu lepszego dostępu
  - Prz użyciu klucza (8) (Rys. I) odkręć trzy śruby zacisku noża I(14) (Rs. II) tak, aby można było wyjąć noż z bębna (Rys.III)
  - Ostrożnie wyjmij noże ze ścisłu, korzystając z małego kawałka drewna, aby wypchnąć noże (Rys. III)

- Wsuni noż (12) w szczelinę w ścisk noża (Rys.IV) tak, aby krawędź noża była blisko rowka skrawającego (15), które zweją się w dół w kierunku podstawy (16), pasując do konur ścisłu noża
- Upewnij się, że obydwie końce noża wystają jednakowo (Rys.V)
- Przykręć śruby ścisłu noża (Rys. VI)

**Uwaga:** Nie należy regulować noża za pomocą śrub ścisłu noża (13), które zostały fabrycznie ustawione.

### Poprawne ustawienie noży

Noże muszą zostać zamocowane w sposób prawidłowy. Nieprawidłowe zainstalowanie noży spowoduje szorstką i nierówną obróbkę materiału. W celu precyzyjnego i gładkiego strugania należy zamocować noże w taki sposób, aby były one równoległe do powierzchni tylnej podstawy (16)(Rys. VII).

### Wcięcia w powierzchni materiału

Oznaczają, że krawędź tnąca przynajmniej jednego noża nie jest równoległa do tylnej podstawy (Rys. VIII)

### Złobienia podczas uruchomienia

Oznaczają, że przynajmniej jedno ostrze nie wystaje wystarczająco poza tylną podstawę.

## Regulacja głębokości cięcia

- Obróć pokrętko regulacji głębokości (1) w prawo dla głębszych cięć, zaś w lewo do węższych
- Skalowanie umieszczone na pierścieniu poniżej pokrętkła regulacji głębokości wskazuje głębokości cięcia. Na przykład, jeśli przy wskaźniku umieszczonym z przodu struga znajduje się cyfra „1”, oznacza to, że głębokość cięcia będzie wynosiła około 1 mm.
- W celu precyzyjnego ustawienia głębokości, strugaj niepotrzebny kawałek cięcia, zmierz różnice w grubości i wyreguluj ustawienie.

## Korzystanie ze stopki postojowej

- Tylna stopka postojowa (7) zabezpiecza przedmiot obróbki przed uszkodzeniem, podczas kiedy urządzenie jest odłożone na bok
- Stopka automatycznie zostaje złożona podczas strugania (Rys. IX)

## Odsysanie pyłu/strużyn

**OSTRZEŻENIE:** Należy zawsze korzystać z odkurzacza warsztatowego, systemu odsysania pyłu, bądź worka na pył/strużyny (17) podczas obsługi powyższego urządzenia.

- Odkurzacze warsztatowy, bądź system ekstrakcji pyłu mogą być podłączone do bocznego portu odsysania pyłu (2) (Rys. IX)
- Worek na pył (17) może zostać podłączony do bocznego portu odsysania pyłu

**OSTRZEŻENIE:** NIGDY nie należy usuwać zanieczyszczeń z portu odsysania pyłu, kiedy noże oraz bęben nadal się obracają. Należy zawsze odłączyć urządzenie od zasilania przed usunięciem zanieczyszczeń.

## Działanie

### Włączanie/wyłączenie

**OSTRZEŻENIE:** Przed włączeniem urządzenia do gniazda zasilania zawsze sprawdzaj działanie przełącznika On/Off (3) oraz przycisku blokady przełącznika Off (4).

- Podłącz przewód (6) urządzenia do gniazda zasilania
- Abv uruchomić maszynę, odcisnij przycisk blokady(4), stopniowo ścisnąć przełącznik On/Off (3)

**UWAGA:** Przycisk blokady może być zwolniony jak strugarka już pracuje

- W celu zatrzymania urządzenia zwoľnij przycisk zapiłonu On/Off (wylączony/ wylączony).

**OSTRZEŻENIE:** Pamiętaj, że po wylączeniu struga noże będą nadal obracały się przez jakiś czas. Zaczekaj, aż silnik całkowicie się zatrzyma zanim odłożysz urządzenie, aby zapobiec uszkodzeniu noży lub powierzchni, na której znajduje się strug. Kładąc strug na boku nie kładz go na otworach wentylacyjnych, aby zapobiec przedostawaniu się do silnika pyłu oraz wiórów.

- Jeśli strug nie będzie używany przez chwilę, ustaw pokrętko kontroli głębokości (1) na pozycję "0" i oprzyj przed struga na drewnianym klocko, aby jego podstawa nie stykała się z powierzchnią. Upewnij się, że stopa tylna (7) jest opuszczona, w celu ochrony noży.

## Struganie

**OSTRZEŻENIE:** Zbyt szybki posuw narzędzia może spowodować złą, jakość cięcia oraz uszkodzenia noży i silnika.

Zbyt wolny posuw narzędzie może spowodować przypalenia lub uszkodzenia materiału. Prędkość posuwu zależy od rodzaju materiału oraz od głębokości cięcia. Należy najpierw wykonać cięcia próbne na niepotrzebnym kawałku materiału, aby ocenić odpowiednią prędkość posuwu.

**OSTRZEŻENIE:** Należy zawsze trzymać strug obiema rękami

**OSTRZEŻENIE:** Jeśli jest to możliwe, zamocuj przedmiot obróbki na stole przy pomocy ścisłków.

1. Oprzyj przód struga na przedmiocie obróbki, upewniając się, że noże (12) nie stykają się z nim
  2. Włącz narzędzie i zaczekaj, aż noże osiągną pełną prędkość
  3. Delikatnie przesuwaj strugę do przodu dociskając początkowo przód urządzenia. Dociskaj tył urządzenia pod koniec wykonywania ruchu
  4. Pchnij strug poza krawędź przedmiotu obróbki nie przechylając go w dół
- Uwaga:** Struganie będzie łatwiejsze, jeśli lekko odchyłisz przedmiot obróbki od siebie, strugając „w dół.”
5. Częstotliwość strugania i głębokość cięcia determinują jakość wykończenia. W przypadku strugania szorstkich powierzchni możliwe jest zwiększenie głębokości cięcia, jednakże w celu dobrego wykończenia obróbki, należy później zredukować głębokość cięcia i wolniej przesuwać urządzenie
  6. Podnieś urządzenie od materiału przed zwolnieniem przełącznika On/Off
  7. Podczas przerw w obróbie możliwe jest oparcie struga na płaskiej powierzchni z odchyłą w dół stopą tylną (7) w celu podparcia struga tak, aby ostża nie stykała się z podłożem. Upewnij się, że stopa tylna została przestawiona z pozycji zablokowanej (do transportu) do pozycji automatycznej.

## Fazowanie

1. W celu wykonania fazowania, jak pokazano na Rys. XII , należy najpierw wyrównać rowek „V” (15) znajdujący się z przodu podstawy struga z krawędzią kantu przedmiotu obróbki.

**Uwaga:** Użyj małego rowka ścięcia do węższych ścięć i większych rowków do głębszych ścięć

2. Uruchoom strugarkę i przsuń maszynę wzdłuż krawędzi

**WAŻNE:** Zaleca się zawsze najpierw przetestować ustawienie na kawałku zbędnego materiału

## Akcesoria

- Szeroki zakres akcesoriów i części wymiennych: noży, dodatkowe ścisaki oraz osobiste wyposażenie ochronne są dostępne u dystrybutora firmy Triton
- Części wymienne dostępne na stronie [toolstream.com](https://www.toolstream.com)

## Konserwacja

**OSTRZEŻENIE:** Przed przeprowadzeniem czynności konserwacyjnych/ czyszczenie zawsze odłączaj urządzenie od źródła zasilania.

### Kontrola rutynowa

- Regularnie sprawdzaj, czy wszystkie śruby mocujące są odpowiednio dokręcone. Wibracje mogą powodować ich poluzowanie.
- Przed każdym użyciem należy sprawdzić przewód zasilania urządzenia pod kątem uszkodzeń i zużycia, dotyczy to również przedłużaczy używanych w urządzeniu
- Naprawy powinny być przeprowadzane przez autoryzowane centrum serwisowe. Zalecenie to dotyczy również przewodów zasilania wykorzystywanych przy urządzeniu.

### Wymiana paska napędowego

- Podczas wymiany paska zalecane jest zakładanie rękawic ochronnych, ponieważ może nastąpić kontakt z nożami.

1. W celu wymiany paska (18) należy najpierw odkręcić trzy śruby z łbem krząkawkowym, które mocują osłonę paska napędowego
2. Wyjmij uszkodzony pasek i za pomocą miękkiej szczoteczki oczyść koła klinowe i otaczającą je przestrzeń

**Uwaga:** Podczas czyszczenia komory kół klinowych należy zakładać okulary

ochronne

3. Nałóż nowy pasek na dolne koło klinowe, z rowkami „V” zwróconymi do wewnątrz. Nałóż pasek na górne koło tylko do połowy, a następnie nasuń pasek całkowicie obracając koło
4. Ręcznie sprawdź czy pasek porusza się równo na kołach klinowych
5. Ponownie zamocuj osłonę oraz śruby
6. Podłącz urządzenie do zasilania i włącz strug na minutę lub dwie, aby upewnić się, że silnik i pasek napędowy działają prawidłowo

## Wymiana szczotek

- Zaleca się zakładanie skórzanych rękawic w przypadku wymiany szczotek, w razie gdyby dłonie miały kontakt z nożem

1. Aby wymienić szczotki, wyjmij trzy wkręty krzyżkowe, które zabezpieczają osłonę szczotek węglowych (10)
2. Odłącz przewody szczotek (Zdjęcie A)
3. Przy pomocy wkrętaka, wyjmij szczotki ze swojej pozycji (Zdjęcie B)
4. Korzystając z płaskiego wkrętaka otwórz zapadkę z osłony szczotek (Zdjęcie C), aby wyjąć szczotki (Zdjęcie D)
5. Umieść nowe szczotki poprawnie w obudowie (Zdjęcie E)
6. Wciśnij sprężynę szczotek i zamknij obudowę (F)
7. Podłącz prawidłowo przewody do szczotek wraz z zamontowaniem obudowy
8. Przykręć obudowę trzema śrubami

## Czyszczenie

**OSTRZEŻENIE:** ZAWSZE podczas czyszczenia urządzenia stosuj środki ochrony osobistej, takie jak okulary i rękawice ochronne.

- Należy zawsze dbać o czystość urządzenia. Brud i kurz powodują szybsze zużycie elementów wewnętrznych i skracają okres eksploatacji urządzenia.
- Należy czyścić korpus urządzenia miękką szczotką lub suchą ścierką.
- Do czyszczenia elementów plastikowych nie należy używać środków żrących. Jeśli czyszczenie na sucho nie przynosi wystarczających efektów, zalecane jest użycie wilgotnej szmatki i łagodnego detergentu.
- Nie wolno dopuszczać do kontaktu urządzenia z wodą.
- Upewnij się, że urządzenie jest całkowicie suche przed ponownym włączeniem.
- Jeśli to możliwe, przedmuchać otwory wentylacyjne czystym powietrzem sprężonym (w stosownych przypadkach).

## Smarowanie

- Regularnie smaruj wszystkie elementy ruchome urządzenia odpowiednim środkiem smarnym w aerozolu.

## Przechowywanie

- Należy przechowywać narzędzie w bezpiecznym, suchym miejscu niedostępnym dla dzieci
- Przechowuj z dala od bezpośredniego słońca

## Utylizacja

Należy zawsze przestrzegać przepisów krajowych dotyczących utylizacji elektronarzędzi, które nie są już funkcjonalne i nie nadają się do naprawy.

- Nie wyrzucaj elektronarzędzi lub innych odpadów elektrycznych i elektronicznych (WEEE) wraz z odpadami komunalnymi.
- Skontaktuj się z władzami lokalnymi zajmującymi się utylizacją odpadów, aby uzyskać informacje na temat prawidłowego sposobu utylizacji elektronarzędzi

## Gwarancja

W celu rejestracji gwarancji odwiedź naszą stronę internetową tritontools.com\* i podaj odpowiednia dane.

Dane zostaną dodane do naszej listy wysyłkowej (chyba, że wskazano inaczej) w celu przesyłania informacji dotyczących przyszłych produktów. Dostarczone danie nie zostaną udostępnione osobom trzecim.

## Protokół zakupu

Data zakupu: \_\_\_/\_\_\_/\_\_\_

Model: TMNPL Należy zachować paragon jako dowód zakupu

## Deklaracja Zgodności WE

Niżej podpisany: Mr Darrell Morris

upoważniony przez: Triton

Oświadczam, że

Powyższa deklaracja została wydana na wyłączną odpowiedzialność producenta.

Opisany powyżej przedmiot deklaracji jest zgodny z właściwymi przepisami Unijnego prawodawstwa harmonizacyjnego

**Kod identyfikacyjny:** 516283

**Opis:** Mini elektryczny strug ręczny 450 W, 60 mm

Produkt jest zgodny z następującymi dyrektywami oraz normami:

- Dyrektywa maszynowa 2006/42/EC
- Dyrektywa kompatybilności elektromagnetycznej 2014/30/EC
- Dyrektywa RoHS 2011/65/EU
- EN 60745-1:2009+A11:2010
- EN 60745-2-14:2009+A2:2010
- EN 55014-1:2006+A2:2011
- EN 55014-2:1997+A2:2008
- EN 61000-3-2:2014
- EN 61000-3-3:2013

Precyzyjne Elektronarzędzia Triton gwarantują nabywcy tego produktu pewność, iż w razie usterki bądź uszkodzenia z powodu wad materiałowych lub jakości wykonania, w ciągu 3 lat od daty zakupu, firma Triton naprawi bądź według własnego uznania bezpłatnie wymieni uszkodzoną część.

Powyższa gwarancja nie pokrywa szkód spowodowanych naturalnym zużyciem, nieprawidłowym użytkowaniem, nieprzestrzeganiem zaleceń obsługi, wypadkami lub wykorzystaniem urządzenia do celów komercyjnych.

\* Zarejestruj swój produkt w ciągu 30 dni od daty zakupu.

Obowiązują zasady i warunki użytkowania.

Powyższe postanowienia nie mają wpływu na prawa ustawowe klienta.

Jednostka notyfikowana: TÜV SÜD

Dokumentacja techniczna produktu

znajduje się w posiadaniu: Triton

Data: 06/07/2017

Podpis:



Darrell Morris

Dyrektor Naczelny

Nazwa i adres producenta:

Powerbox International Limited, zarejestrowany pod numerem 06897059.

Adres rejestracyjny firmy : Powerbox, Boundary Way, Lufton Trading Estate,

Yeovil, Somerset BA22 8HZ, United Kingdom.

# Перевод исходных инструкций

## Введение

Благодарим за выбор инструмента Triton. В этом руководстве содержится информация, необходимая для безопасной и эффективной эксплуатации изделия. Данное изделие отличается некоторыми уникальными особенностями, и даже если вы уже знакомы с аналогичными изделиями, важно внимательно прочитать это руководство и понять содержащиеся в нем инструкции. Убедитесь, что каждый пользователь инструмента ознакомился с руководством и понял его.

## Символы и обозначения

На паспортную табличку инструмента могут быть нанесены символы. Они предоставляют важную информацию об изделии или инструкции по его эксплуатации.



Пользоваться средствами защиты органов слуха  
Пользоваться средствами защиты органов зрения  
Пользоваться средствами защиты органов дыхания  
Пользоваться средствами защиты головы



Пользоваться средствами защиты рук



Прочитайте руководство



Осторожно!



**ВНИМАНИЕ!** Движущиеся детали: опасность раздавливания и порезов.



**ВНИМАНИЕ!** Острые ножи или зубья!



Запрещается касаться режущих частей, пока изделие не отключено от сети, и инструмент полностью не остановился.



Ядовитые пары или газы!



Перед регулировкой, сменой оснастки, чисткой, обслуживанием и хранением прибора всегда отключайте его от сети питания.



Использовать только в помещении!



Конструкция класса II (двойная изоляция для дополнительной защиты)



Внутренний плавкий предохранитель с задержкой срабатывания с номинальным током 3,15 А



Соответствует применимым законодательным актам и нормам безопасности.



**Охрана окружающей среды**  
Утилизация электротехнических изделий с бытовым мусором запрещена. Такие изделия сдают в пункты утилизации, имеющие специальное оборудование. За рекомендациями по утилизации обращайтесь в местные органы власти или к дилеру.

## Сокращения технических терминов

B	Напряжение (В)
~, AC	Переменный ток
A, mA	Ампер
n <sub>0</sub>	Частота вращения без нагрузки
n	Номинальная частота вращения
в/мин	Число вращательных или возвратно-поступательных движений в минуту
°	Градусы
Гц	Герц
≡, DC	Постоянный ток
Вт, кВт	Ватт, киловатт
/мин или мин <sup>-1</sup>	Число операций в минуту
об/мин	Число оборотов в минуту
дБ(A)	Уровень звука в децибелах (взвешенный по A)
m/c <sup>2</sup>	Метры в секунду в квадрате (значение вибрации)
∅	Диаметр

## Технические характеристики

Номер модели	TMNPL
Входное напряжение	220-240 В перем. тока, 50/60 Гц
Мощность	450 Вт
Степень защиты оболочки	IP20
Частота вращения без нагрузки	16 000 об/мин
Число резов в минуту	32 000
Ножи	2 стандартных переворачиваемых ножа 60 мм
Ширина строгания	60 мм
Диапазон глубин обработки	0-1,5 мм
Глубина обработки пазов	8 мм
Выход стружки слева или справа	Справа
V-образные канавки для обработки фасок	2
Стояночная опора	Автоматическая
Длина электрического шнура	3 м
Габаритные размеры (Д x Ш x В)	290 x 130 x 150 мм
Масса	2,3 кг



<b>Информация по шуму и вибрации</b>	
Уровень звука излучения $L_{\text{экв}}$	84,7 дБ(А)
Корректированный уровень звуковой мощности $L_{\text{вмк}}$	95,7 дБ(А)
Погрешность К	3 дБ(А)
Взвешенное вибрационное ускорение ah (главная рукоятка)	2,256 м/с <sup>2</sup>
Взвешенное вибрационное ускорение ah (вспомогательная рукоятка)	3,375 м/с <sup>2</sup>
Погрешность К	1,5 м/с <sup>2</sup>
<p>Уровень звука, воздействующего на оператора, может превышать 85 дБ(А). Использование средств защиты органов слуха обязательно.</p> <p>Ввиду того, что продукция постоянно совершенствуется, технические характеристики изделий Triton могут изменяться без уведомления.</p>	

**ВНИМАНИЕ!** Если уровень звука превышает 85 дБ(А), то обязательно пользуйтесь средствами защиты органов слуха. При необходимости ограничивайте продолжительность работы. Если шум вызывает дискомфорт даже при использовании средств защиты, немедленно выключите инструмент и убедитесь, что защита надеда правильно, а ее звукоизолирующие характеристики соответствуют уровню звука, вырабатываемого инструментом.

**ВНИМАНИЕ!** Воздействие вибрации инструмента на человека может вызывать потерю чувствительности, онемение, покалывание и снижение способности удерживать предметы. Продолжительное воздействие чревато развитием хронических заболеваний. При необходимости ограничивайте продолжительность работы и пользуйтесь антивибрационными перчатками. Не работайте в ручном режиме, если температура ниже комфортного уровня: в таких условиях вибрация оказывает более выраженное воздействие на организм. Продолжительность и периодичность работы с инструментом можно рассчитать по значениям, которые приведены в разделе «Технические характеристики».

Указанные в характеристиках уровня звука и вибраций получены в соответствии с EN60745 или аналогичными международными стандартами. Значения справедливы для инструмента в нормальном рабочем состоянии, эксплуатируемого в нормальных условиях. Нарушение регламента обслуживания, порядка сборки или эксплуатации инструмента может явиться причиной повышения уровня звука и вибраций. На сайте [osha.euroпа.eu](http://osha.euroпа.eu) представлена информация по уровням звука и вибраций на рабочем месте, которая может оказаться полезной для пользователей, работающих с инструментом в бытовых условиях в течение продолжительного времени.

## Общие правила техники безопасности при работе с электроинструментом

**ВНИМАНИЕ!** Ознакомьтесь со всеми предупреждениями, инструкциями, иллюстрациями и техническими характеристиками, относящимися к данному электроинструменту. Пренебрежение приведенными ниже инструкциями чревато поражением электрическим током, пожаром и/или серьезными травмами.

**Сохраните все предупреждения и инструкции на будущее.**

В разделе, посвященном технике безопасности, термин «электроинструмент» относится как к проводным (работающим от сети), так и к беспроводным (работающим от аккумулятора) инструментам.

### 1) Безопасность на рабочем месте

- Следите за чистотой и освещенностью рабочего места. Беспорядок или недостаток освещения повышают вероятность несчастного случая.
- Не работайте с электроинструментом во взрывоопасной атмосфере (например, в присутствии воспламеняющихся жидкостей, газов или пыли). Электроинструмент вырабатывает искры, которые могут воспламенить пыль или пары.
- Во время работы с электроинструментом не позволяйте детям и посторонним лицам приближаться к вам. Они будут отвлекать ваше внимание, и вы можете потерять управление.

### 2) Электробезопасность

- Вилки электроинструмента должны соответствовать розеткам. Категорически запрещается вносить какие-либо изменения в конструкцию вилки. Не разрешается подключать заземленный электроинструмент к сети через переходники. Применение стандартных вилок и соответствующих им розеток снижает риск поражения электрическим током.

б) Не касайтесь заземленных предметов: трубопроводов, радиаторов, электрических плит и холодильников. Если ваше тело заземлено, то риск поражения электрическим током увеличивается.

в) Берегите электроинструмент от дождя и влаги. Попадание воды внутрь электроинструмента увеличивает риск поражения электрическим током.

г) Не допускайте повреждения электрического шнура. Запрещается переносить, тянуть или отключать электроинструмент от сети за шнур. Берегите шнур от нагрева, контакта с маслом, острыми кромками или движущимися деталями. Поврежденный или запутанный шнур увеличивает риск поражения электрическим током.

д) При работе с электроинструментом вне помещения пользуйтесь удлинителем, пригодным для эксплуатации в таких условиях. Применение удлинителя, пригодного для эксплуатации вне помещения, снижает риск поражения электрическим током.

е) Если работа во влажных условиях неизбежна, то электроинструмент следует подключать к источнику питания, снабженному устройством защитного отключения (УЗО). Применение УЗО снижает риск поражения электрическим током.

### 3) Личная безопасность

а) Будьте внимательны, следите за тем, что делаете и руководствуйтесь здравым смыслом при работе с электроинструментом. Запрещается пользоваться электроинструментом, если вы устали или находитесь под действием алкоголя, наркотиков или лекарственных препаратов. Даже кратковременное ослабление внимания во время работы чревато тяжелой травмой.

б) Пользуйтесь средствами индивидуальной защиты. Всегда пользуйтесь средствами защиты органов зрения. Грамотное применение средств защиты (например, респиратора, нескользящей защитной обуви, каски или средств защиты органов слуха) снижает риск травм.

в) Не допускайте непреднамеренного включения. Перед тем как подключить инструмент к розетке и/или аккумулятору, поднимайте или переносите его убедитесь, что выключатель питания находится в положении «выключено». Если держать палец на выключателе питания при переносе инструмента или заряжать инструмент с включенным выключателем питания, то риск несчастного случая увеличится.

г) Убирайте регулировочные ключи прежде чем включать электроинструмент. Гаечный ключ, присоединенный к вращающейся части электроинструмента, может нанести травмы.

д) Не тянитесь за пределы комфортной зоны досягаемости. Твердо стойте на ногах и сохраняйте равновесие. Это позволит увереннее контролировать инструмент в неожиданных ситуациях.

е) Одевайтесь надлежащим образом. Свободная одежда и украшения не допускаются. Держите волосы и одежду подальше от движущихся частей инструмента. Свободную одежду, украшения или длинные волосы может наматывать на движущиеся части.

ж) Обязательно пользуйтесь устройствами вытяжки и сбора пыли, если конструкцией предусмотрены соединители для них. Соблюдайте правила их эксплуатации. Такие устройства снижают риски, связанные с пылью.

з) Не позволяйте себе расслабляться и игнорировать правила безопасности по мере набора опыта работы с инструментами. Получить тяжелую травму при неосторожном обращении – дело доли секунд.

4) Эксплуатация электроинструмента и уход за ним

а) Не допускайте перегрузки электроинструмента. Правильно подбирайте инструмент под свои задачи. Грамотно подобранный инструмент будет работать качественнее и безопаснее без превышения номинальной нагрузки.

б) Не работайте с электроинструментом, если выключатель питания не включается или не выключается. Любой электроинструмент с неработающим выключателем опасен и подлежит ремонту.

в) Отсоединяйте электроинструмент от розетки и/или аккумулятора (если он съемный), прежде чем выполнять настройку, менять оснастку или укладывать его на хранение. Данная мера предосторожности исключает случайный пуск инструмента.

г) Храните электроинструмент в местах, недоступных для детей, и не позволяйте работать с ним лицам, не знакомым с электроинструментом или не изучившим данные инструкции. Электроинструмент опасен в неумелых руках.

д) Обслуживайте электроинструмент и оснастку. Следите за тем, чтобы не было бения или заедания движущихся частей, сломанных деталей или признаков других неисправностей, способных повредить на работу электроинструмента. Если инструмент поврежден, то эксплуатацию разрешается возобновлять только после ремонта. Причиной многих несчастных случаев становится неудовлетворительное обслуживание электроинструмента.

- e) Следите за чистотой режущего инструмента и состоянием его режущих кромок. Если режущий инструмент надламывается образом обслуживания, то снижается вероятность защемления и облегчается управление.
- ж) Соблюдайте эти инструкции при эксплуатации электроинструмента, оснастки и режущего инструмента. Учитывайте условия и особенности предстоящей работы. Использование электроинструмента не по назначению может быть опасным.
- з) Следите за тем, чтобы рукоятки и другие поверхности хвата были сухими и чистыми. Наличие на них масла и консистентной смазки не допускается. Скользкие рукоятки и прочие поверхности хвата опасны и не обеспечивают надежного контроля за инструментом в неожиданной ситуации.
- 5) Ремонт
  - a) Ремонт электроинструмента должен производиться квалифицированным специалистом с использованием идентичных запчастей. Только в этом случае ремонт электроинструмента не скажется на его безопасности отрицательным образом.

## Дополнительные правила техники безопасности при работе с электрическими рубанками



**ВНИМАНИЕ!**

- Прежде чем положить электроинструмент дождитесь, пока режущий инструмент не остановится. Открытый вращающийся инструмент может коснуться поверхности, отскокните и нанесите тяжелые травмы.
- Держите электроинструмент только за изолированные захватные поверхности, так как режущий инструмент может коснуться шнура питания. Надрезание находящегося под напряжением проводника может привести к тому, что неизолированные металлические детали инструмента тоже окажутся под напряжением. Это чревато поражением электрическим током.
- Крепите заготовку к устойчивой опоре с помощью струбцин или других подходящих средств. Заготовка, удерживаемая рукой или прижимаемая к телу, недостаточно хорошо зафиксирована и может выйти из-под контроля.
- Замена поврежденного электрического шнура (в случае необходимости) должна выполняться производителем, его сервисным представителем или лицами аналогичной квалификации.
- Настойтельно рекомендуется включать инструмент через устройство защитного отключения с номинальным остаточным током 30 мА или меньше.



- Используйте подходящие средства защиты органов дыхания. При работе с этим инструментом может выработаться пыль, содержащая химические вещества, которые вызывают рак, дефекты плода и другие повреждения репродуктивной системы. Некоторые сорта лесоматериалов содержат консерванты (например, арсенат хрома), которые могут быть ядовитыми. Соблюдайте особую осторожность при шлифовании, сверлении или пиления таких материалов. Не допускайте вдыхания и сведите к минимуму контакт с кожей.



**ВАЖНО!**

- Определите наличие скрытых инженерных сетей в рабочей зоне с помощью подходящих детекторов или обратитесь за помощью в местное коммунальное предприятие. Контакт с электрическими линиями может привести к поражению электрическим током и пожару. Повреждение газопровода может привести к взрыву. Повреждение водопровода может привести к материальному ущербу и поражению электрическим током.
- Не просовывайте пальцы в отверстие для вылета стружки! Вращающиеся детали могут нанести травмы.
- Настойтельно рекомендуется пользоваться респираторами или системой вытяжки для защиты оператора от пыли во время работы. Рубанки производят пыль в большом объеме, а пыль некоторых материалов ядовита.
- Не работайте с затупленным режущим инструментом. Обратитесь с режущим инструментом с особой осторожностью.

- 1) Убедитесь, что напряжение на паспортной табличке инструмента соответствует напряжению в сети.
- 2) Перед началом работы извлеките из заготовки все гвозди, шурупы и подобные предметы. Они могут сломать ножи или рубанок и создать опасность травм.
- 3) Уберите одежду, шнуры, тряпки, ленты и подобные материалы из

рабочей зоны. Они могут попасть в механизм рубанка.

- 4) Перед началом работы убедитесь, что зажимные винты ножей надежно затянуты.
  - 5) Перед тем как выполнить первый рабочий проход, включите рубанок и дайте ему поработать некоторое время. Обращайте внимание на вибрацию или раскачивание, которые могут означать, что нож неправильно установлен или плохо сбалансирован.
  - 6) Дайте инструменту полностью разогреться, и только потом доводите его до контакта с заготовкой и начинайте обработку.
  - 7) При работе с рубанком всегда держитесь за него обеими руками. Прежде чем включать рубанок убедитесь, что правильно держите его.
  - 8) Не подводите инструмент ближе 200 мм к своему лицу и телу.
  - 9) Перед началом обработки дождитесь, пока ножи не разогнаются до полной скорости.
  - 10) Если вы работаете с влажной древесиной, то стружка может засорить канал. Выключите инструмент, выдерните вилку из розетки и выберите стружку палочкой. Категорически запрещается засовывать палец в стружечный канал!
  - 11) Перед тем как выполнять какие-либо регулировки, чистить или переносить инструмент, ВСЕГДА отключайте его и дожидаетесь полной остановки ножей.
  - 12) ВСЕГДА отключайте питание, если собираетесь оставить инструмент без присмотра.
  - 13) По завершении работы отключите питание и уложите его так, чтобы передняя часть основания располагалась на деревянном бруске, а ножи не касались никаких поверхностей.
- Заменяйте все ножи одновременно. В противном случае появится дисбаланс, который приведет к вибрациям и сокращению срока службы рубанка и ножей.

## Правила техники безопасности при работе с режущим инструментом

**ВНИМАНИЕ!** Перед подключением инструмента к источнику питания (точке подключения, розетке и т.д.) убедитесь, что напряжение питания соответствует значению, указанному на паспортной табличке инструмента. Если напряжение источника питания выше этого значения, то подключение инструмента к такому источнику может привести к серьезным травмам пользователя и выходу инструмента из строя. Если имеются сомнения – не подключайте инструмент. Использование источника питания, напряжение которого ниже номинального напряжения инструмента, может привести к поломке электродагитателя.

### Используйте подходящий режущий инструмент

- Убедитесь, что инструмент подходит для выполнения работы. Не следует считать инструмент подходящим, не ознакомившись предварительно с документацией на изделие.

### Защита органов зрения

- При работе с режущими инструментами всегда используйте подходящие средства защиты органов зрения.
- Обычные очки не являются защитой при работе с этим изделием: линзы не обладают ударной прочностью и могут разбиться.

### Защита органов слуха

- Всегда используйте подходящие средства защиты органов слуха, если шум инструмента превышает 85 дБ.

### Защита органов дыхания

- Вы и окружающие должны использовать подходящие респираторы.

### Помните о безопасности рубок

- Держите руки на безопасном расстоянии от режущего диска или ножей. При обработке коротких заготовок электроинструментом пользуйтесь подходящей палочкой-толкателем.

### Помните об окружающих

- Пользователь обязан добиться того, чтобы другие люди, находящиеся вблизи рабочей зоны, не подвергались воздействию опасного шума или пыли и были обеспечены подходящими средствами защиты.

### Скрытые объекты

- Перед началом работы осмотрите заготовку и удалите все содержащиеся в ней посторонние объекты.
- Не пытайтесь обрабатывать заготовку с посторонними объектами, если не уверены в том, что установленный режущий инструмент соответствует такой работе.
- В стенах может находиться скрытая проводка и трубопроводы,



за кузовными элементами автомобилей могут располагаться топливopроводы, а в длинной траве могут скрываться камни и стекло. Всегда тщательно проверяйте рабочую зону перед началом работы.

## Остерегайтесь разлетающихся отходов

- В некоторых случаях отходы могут отлетать от режущего инструмента на высокой скорости. Пользователь обязан принять все меры защиты людей, находящихся в рабочей зоне, от разлетающихся отходов.

## Установка режущих инструментов

- Следите за тем, чтобы режущие инструменты были установлены правильно и надежно. Перед началом работы проверяйте, что ключи / регулировочные приспособления удалены.
- Используйте только те режущие инструменты, которые были рекомендованы для вашего инструмента.
- Не пытайтесь изменять конструкцию режущих инструментов.
- Убедитесь, что режущие инструменты заточены, находятся в хорошем состоянии и правильно установлены.
- Не допускается затачивать ножи, не рассчитанные на это. К таким ножам могут относиться ножи с повышенной твердостью и ножи из твердых сплавов, которые, как правило, содержат вольфрам.
- Переточку режущих инструментов (если это можно делать) осуществляют только в соответствии с инструкциями производителя. Количество переточек может быть ограничено.
- Заточенные инструменты тщательно осматривают перед использованием и в случае сомнений, касающихся их состояния и пригодности к эксплуатации, немедленно заменяют их.
- Если во время работы режущий инструмент наткнется на скрытый предмет, на обработку которого он не рассчитан, то такой инструмент следует сразу же заменить.

## Направление подачи

- Всегда подавайте заготовку на нож или резак в направлении, противоположном направлению движения ножа или резака.

## Берегитесь нагрева

- Режущие инструменты и заготовки могут нагреваться во время работы. Не пытайтесь сменить инструмент, не дожидаясь полного его остывания.

## Обеспечивайте удаление пыли / стружки

- Не позволяйте пыли ли стружке скапливаться. Древесные опилки пожароопасны, а опилки некоторых металлов могут взрываться.
- Соблюдайте особую осторожность при обработке дерева и металла. Искры, возникающие при обработке металлов, являются распространенной причиной воспламенения древесной пыли.
- По возможности пользуйтесь системой вытяжки. Она позволит повысить безопасность рабочей среды.

## Знакомство с изделием

1. Ручка регулировки глубины рубанки
2. Отверстие для отвода пыли/стружки
3. Курковый выключатель
4. Кнопка блокировки выключателя
5. Ручок/та
6. Шнур питания
7. Задняя стояночная опора
8. Гаечный ключ
9. Крышка ременной передачи
10. Крышка щеток
11. Ножевой барабан
12. Пильный диск
13. Зажим ножа
14. Винты зажима ножа
15. Пазы для обработки фасок
16. Основание
17. Мешок для сбора пыли/стружки
18. Приводной ремень

## Назначение

Электрический ручной мини-рубанок для легких и средних операций строгания с регулируемой глубиной резания и возможностью обработки пазов до 8 мм глубиной. Можно обрабатывать как твердую, так и мягкую древесину.

## Распаковывание инструмента

- Аккуратно распакуйте и осмотрите инструмент. Ознакомьтесь со

всеми его характеристиками и функциями.

- Убедитесь, что все детали инструмента находятся в хорошем состоянии. Если какие-либо детали отсутствуют или повреждены, то эксплуатация инструмента разрешается только после замены таких деталей.

## Перед эксплуатацией

**⚠ ВНИМАНИЕ!** Перед тем как выполнять какие-либо регулировки, устанавливая или снимая ножи, отключите инструмент и отсоедините его от источника питания.

## Замена ножей

- Рубанок оснащается двухсторонними ножами: затупившиеся ножи можно перевернуть. Когда ножи затупятся с обеих сторон, утилизируйте их.
- Сменные ножи для рубанка поставляются дилером Triton.

## Установка и снятие ножей рубанка

**⚠ ВНИМАНИЕ!** Ножи рубанка очень острые! При работе с ножами рубанка всегда пользуйтесь защитными перчатками.

- Режущая кромка сформирована на двух сторонах ножей, поэтому их можно переверачивать. Если нож изношен или поврежден с одной стороны, можно переустановить его и пользоваться второй режущей кромкой.

**ВАЖНО!** Менять ножи по одному разрешается только в случае повреждения. Если нож изношен, то менять следует сразу оба ножа барабана. В противном случае возникнет дисбаланс, который приведет к вибрации и разрушению инструмента.

- При замене ножей применять замачи стого же размера и массы. В противном случае барабан будет колебаться и вибрировать. При этом качество строгания будет снижено, а инструмент может сломаться.
- Качество обработанной поверхности зависит от правильности установки ножей. Очищайте стружку и прочие посторонние материалы, налипшие на ножевой барабан или зажимы.

1. Поверните ножевой барабан (11) так, чтобы нож (12) оказался сверху и был доступен.
  2. Ослабьте три винта крепления ножа (14) (рисунок II) ключом (8) (рисунок I) так, чтобы можно было извлечь нож из барабана.
  3. Аккуратно извлеките нож из паза, выталкивая его небольшим кусочком древесины (рисунок III).
  4. Вставьте нож (12) в паз зажима (рисунок IV) так, чтобы кромка ножа располагалась ближе к пазам для обработки фасок (15), а коническая часть спускалась к основанию (16) в соответствии с контуром зажима.
  5. Добейтесь того, чтобы оба конца ножа выступали на одинаковую величину (рисунок V).
  6. Затяните винты зажима ножа (рисунок VI).
- Примечание.** Не пытайтесь регулировать нож с помощью винтов зажима ножа (13), которые предварительно настроены производителем.

## Правильная установка ножей

- Правильная установка ножей очень важна. В противном случае обработанная поверхность будет грубой и неровной. Чтобы поверхность получалась чистой и ровной, ножи необходимо устанавливать так, чтобы режущая кромка располагалась абсолютно ровно, т.е. параллельно поверхности заднего основания (16) (рисунок VII).

### Зарубки на поверхности

- Режущая кромка одного или всех ножей не параллельна заднему основанию (рисунок VIII).

### Зарез в начале прохода

- Один или все ножи выступают недостаточно далеко относительно заднего основания (рисунок IX).

## Регулировка глубины строгания

1. Глубина резания настраивается ручкой регулировки (1): для увеличения глубины ручка поворачивается по часовой стрелке, а для уменьшения – против часовой стрелки.
2. Отсчет глубины резания осуществляется по шкале на кольце, расположенном под ручкой регулировки. Например, если напротив указателя в передней части рубанка находится цифра "1.0", то глубина резания составляет примерно 1,0 мм.
3. Если важно выдерживать глубину резания с высокой точностью, выполните один проход по доске, измерьте разницу толщины и отрегулируйте глубину по мере необходимости.

## Использование задней стояночной опоры

- Задняя стояночная опора (7) защищает заготовку от повреждения,

когда инструмент кладут в сторону.

- Опора автоматически складывается во время строгания (рисунок X).

## Вытяжка пыли/стружки

**⚠ ВНИМАНИЕ!** Во время работы с инструментом всегда используйте цеховый пылесос, систему вытяжки пыли/стружки или мешок для сбора пыли/стружки (17).

Цеховый пылесос или систему вытяжки пыли можно присоединить к боковому отверстию для отвода пыли/стружки (2) (рисунок XI).

Мешок для сбора пыли/стружки (17) можно присоединить к боковому отверстию для отвода пыли стружки.

**⚠ ВНИМАНИЕ!** ЗАПРЕЩАЕТСЯ пытаться удалить засорение из отверстия для отвода пыли/стружки, если ножевой барабан и ножи вращаются. Очистку разрешается начинать только после того, как инструмент будет отключен от источника питания.

## Эксплуатация

### Включение и выключение

**⚠ ВНИМАНИЕ!** Перед тем как втыкать вилку инструмента в розетку всегда проверяйте работоспособность куркового выключателя (3) и кнопки выключения блокировки курка (4).

1. Присоедините шнур питания (6) к розетке.
2. Чтобы включить питание, нажмите кнопку выключения блокировки курка (4) и одновременно нажмите курковый выключатель (3).

**Примечание.** Кнопку выключения блокировки можно отпустить, когда рубанок включится.

3. Чтобы отключить питание, отпустите курковый выключатель.

**⚠ Помните,** что ножи продолжают вращаться некоторое время после выключения рубанка. Перед тем как укладывать инструмент, дождитесь полной остановки электродвигателя. В противном случае можно повредить ножи или испортить поверхность заготовки. Если укладываете инструмент на бок, не кладите его вниз той стороной, на которой расположены вентиляционные отверстия, чтобы пыль и стружка не попали в электродвигатель.

4. Если рубанок не будет использоваться в течение небольшого промежутка времени, переведите ручку регулировки глубины (1) в положение «о» и положите переднюю часть рубанка на деревянный брусок так, чтобы основание не касалось поверхности. Проследите за тем, чтобы задняя ступенчатая опора (7) была опущена, чтобы защитить ножи.

### Профилирование

**⚠ ВНИМАНИЕ!** Слишком быстрая подача инструмента снизит качество обработки и может привести к повреждению ножей или электродвигателя. При слишком медленной подаче на заготовке могут образоваться прижоги и прочие дефекты. Подходящая подача определяется типом обрабатываемого материала и глубиной резания. Рекомендуется предварительно отработать правильную скорость подачи на куске бракованного материала.

**ВНИМАНИЕ!** Всегда держите рубанок только двумя руками.

**ВНИМАНИЕ!** По возможности всегда крепите заготовку к верстаку.

1. Опустите переднюю часть рубанка на заготовку. Не давите ножам (12) касаться заготовки.
2. Включите инструмент и дождитесь, пока ножи не разгонятся полностью.
3. Начните осторожно вести рубанок вперед. В начале прохода необходимо давить на переднюю часть инструмента, а в конце прохода — на заднюю часть.
4. Выводите инструмент за пределы детали, не наклоняя его вниз.

**Примечание.** Строгание пойдет легче, если вы слегка наклоните заготовку от себя, и будете строгать «под уклон».

5. Качество полученной поверхности определяется скоростью подачи инструмента и глубиной резания. При черновой обработке можно увеличить глубину резания. Однако для получения качественной поверхности необходимо будет уменьшить глубину и вести инструмент медленнее.

6. Поднимите инструмент с заготовки, прежде чем отпустить курковый выключатель и отключать питание.

7. Между проходами кладите рубанок на плоскую поверхность на заднюю ступенчатую опору (7), чтобы ножи не касались поверхности заготовки.

### Обработка фасок

1. Чтобы сформировать фаску (рисунок XII), установите V-образный паз для обработки фасок (15) в переднем основании рубанка на угол заготовки.

**Примечание.** Для небольших фасок используйте неглубокий паз, а для больших фасок — более глубокий паз.

2. Включите рубанок и проведите его вдоль угла.

**ВАЖНО!** Всегда выполняйте пробные проходы по бракованному куску материала.

3. Поднимите инструмент с заготовки, прежде чем отпустить курковый выключатель и отключать питание.

## Оснастка

- Дилер Triton предлагает широкий выбор оснастки и расходных материалов, включая ножи, дополнительные зажимы и средства индивидуальной защиты.
- Запчасти можно заказывать на сайте [toolsparsonline.com](http://toolsparsonline.com).

## Техническое обслуживание

**⚠ ВНИМАНИЕ!** Перед выполнением каких-либо регулировок или операций обслуживания отключите инструмент и отсоедините его от источника питания.

### Общий осмотр

- Регулярно проверяйте затяжку всех крепежных винтов. Со временем затяжка может ослабевать от вибрации.
- Перед каждой эксплуатацией осматривайте шнур питания инструмента на предмет повреждений или износа. Эта рекомендация распространяется и на шнуры-удлинители, используемые с инструментом.
- Замена поврежденного электрического шнура (в случае необходимости) должна выполняться производителем, его сервисным представителем или лицами аналогичной квалификации.

### Замена приводного ремня

- При замене ремня рекомендуется пользоваться кожаными перчатками (на случай, если рука коснется ножей).

1. Чтобы заменить приводной ремень (18), выкрутите три винта крепления крышки приводного ремня (9).
2. Снимите поврежденный/изношенный ремень и очистите шкивы и прилегающие к ним поверхности мягкой щеткой.

**Примечание.** При очистке зоны шкивов используйте средства защиты органов зрения.

3. Наденьте новый ремень на нижний шкив. Наживите второй конец на верхний шкив и заведите ремень на место, поворачивая шкив.
4. Потягивая ремень вручную, убедитесь, что он ходит плавно.
5. Установите крышку на место и закрепите ее винтами.
6. Подключите рубанок к питанию, включите его и дайте поработать одну-две минуты. Убедитесь, что электродвигатель и ремень работают правильно.

### Замена щеток

- При замене щеток рекомендуется пользоваться кожаными перчатками (на случай, если рука коснется ножей).

1. Чтобы заменить щетки, выкрутите три винта крепления крышки щеток (10).
2. Отсоедините кабели от щеток (рисунок A).
3. Пользуясь отверткой, извлеките щетки из креплений (рисунок B).
4. Пользуясь плоской отверткой, отогните лапку на корпусе щетки (рисунок C) и извлеките щетку (рисунок D).
5. Вставьте новую щетку в корпус, совместив паз в графитовой части с

- выступом (рисунок Е).
- Вдавите пружину щетки и загните крепежную лапку на корпусе (F).
  - Вставьте новую щетку вместе с корпусом обратно в держатель и присоедините кабели.
  - Установите на место крышку щеток и закрепите ее винтами.

## Очистка

**⚠ ВНИМАНИЕ!** При очистке этого инструмента ВСЕГДА пользуйтесь средствами защиты, включая средства защиты глаз и перчатки.

- Всегда держите инструмент в чистоте. Пыль и грязь ускоряют износ внутренних деталей и сокращают срок службы устройства.
- Для чистки корпуса используйте мягкую щетку или сухую тряпку.
- Запрещается использовать щелочные вещества для очистки пластиковых деталей. Если сухая чистка не дает желаемого результата, рекомендуется протереть инструмент влажной тряпкой с мягким моющим средством.
- Не допускайте контакта инструмента с водой.
- Тщательно высушите инструмент перед использованием.
- По возможности рекомендуется продувать вентиляционные отверстия сухим и чистым сжатым воздухом (при необходимости).

## Смазка

- Все движущиеся детали должны регулярно смазываться подходящей распыляемой смазкой.

## Хранение

- Инструмент должен храниться в надежном, сухом и недоступном для детей месте.
- Хранить вдали от прямого солнечного света.

## Утилизация

Утилизация неработающего и не подлежащего ремонту электроинструмента должна выполняться в строгом соответствии с государственными нормативами.

- Запрещается утилизировать электроинструмент или иной лом электрического и электронного оборудования с бытовым мусором.
- Обратитесь в местное управление по утилизации отходов за информацией о правильных методах утилизации электроинструмента.

## Декларация соответствия CE

**Нижеподписавшийся:** Господин Дэррел Моррис (Darrell Morris)

**уполномоченный компаний:** Triton

Заявляет, что

Настоящая декларация была выпущена под единоличную ответственность производителя.

Объект настоящей декларации отвечает требованиям соответствующих норм унификации Евросоюза.

**Идентификационный код:** TMNPL

**Описание:** Мини-рубанок 450 Вт

**Соответствует следующим директивам и стандартам:**

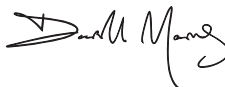
- Директива по машинам 2006/42/EC
- Директива по электромагнитной совместимости 2014/30/EC
- Директива об ограничении использования вредных веществ 2011/65/EU
- EN 60745-1:2009+A11:2010
- EN 60745-2-14:2009+A2:2010
- EN 55014-1:2006+A2:2011
- EN 55014-2:1997+A2:2008
- EN 61000-3-2:2014
- EN 61000-3-3:2013

**Уполномоченный орган:** TÜV SÜD

**Владелец технической документации:** Triton

**Дата:** 06/07/2017

**Подпись:**



Господин Дэррел Моррис (Darrell Morris)

Директор

**Название и адрес производителя:**

Powerbox International Limited, Company No. 06897059. Юридический

адрес: Powerbox, Boundary Way, Lufton Trading Estate, Yeovil, Somerset

BA22 8HZ, United Kingdom (Великобритания).

# Az eredeti utasítások fordítása

## Bevezetés

Köszönjük, hogy megvásárolta ezt a Triton szerszámot! A jelen útmutató a termék biztonságos és hatékony üzemeltetéséhez szükséges információkat tartalmazza. Ez a termék egyedi tulajdonságokkal rendelkezik, és még ha Ön ismeri is a hasonló termékeket, mindenképpen alaposan olvassa el ezt az útmutatót, hogy megértse a benne levő utasításokat. Ügyeljen arra, hogy a szerszámot használó minden személy elolvassa és teljesen megértse ezeket az utasításokat.

## A szimbólumok leírása

A készülék adattábláján jelölések találhatóak. Ezek fontos információkat tartalmaznak a termékről vagy annak használatáról.



Viseljen fülvédőt.  
Viseljen védőszemüveget.  
Viseljen védőmaszkot.  
Viseljen fejdédőt.



Viseljen védőkesztyűt.



Olvassa el a kezelési útmutatót.



Vigyázat!



**FIGYELEM:** A mozgó alkatrészek zúzódasos és vágott sérüléseket okozhatnak.



**FIGYELEM:** Éles pengék vagy fogak



Ne nyúljon a pengékhez/késekhez, míg ki nem húzta a gépet a konnektorból, és a pengék/kések teljesen meg nem álltak.



Mérgező gőzök vagy gázok!



Mindig válassza le a gépet a hálózati feszültségről, ha nem használja, vagy mielőtt bármilyen beállítás, tartozékcsere, karbantartási vagy tisztítási műveletet végez.



Csak beltérben használható.



II. érintésvédelmi osztály (kettős szigetelés a nagyobb védetség érdekében)



Belső, késleltetett leoldású biztosíték. Névleges áramerősség: 3,15 A.



A készülék megfelel a vonatkozó jogszabályoknak és munkavédelmi szabványoknak.



### Környezetvédelem

A leselejtezett elektromos termékeket nem szabad a háztartási hulladékba dobni. Kérjük, vigye el a megfelelő újrafelhasználási helyre, ha létezik ilyen. Keresse meg a helyileg illetékes hatóságokat vagy a forgalmazót az újrafelhasználásra vonatkozó tanácsokért.

## Műszaki rövidítések

V	Volt
~, AC	Váltakozó feszültség
A, mA	Amper
n <sub>0</sub>	Üresjáratú fordulatszám:
n	Névleges fordulatszám
opm	Keringés vagy rezgés percenkénti száma
°	Fok
Hz	Hertz
==, DC	Egyenfeszültség
W, kW	Watt, kilowatt
/perc v. min <sup>-1</sup>	Percenkénti irányváltás vagy fordulat
1/perc	Percenkénti fordulat
dB (A)	A-súlyozott zajszint decibelben
m/s <sup>2</sup>	Méter per szekundumnégyzet (rezgés nagysága)
Ø	Átmérő

## Műszaki adatok

Típuszám:	TMNPL
Tápfeszültség:	220–240 V~, 50/60 Hz
Teljesítmény:	450 W
Víz elleni védeleési osztály	IP20
Üresjáratú fordulatszám:	16000 1/perc
Percenkénti vágások száma	32 000 vágás/perc
Kések:	2 db megfordítható, 60 mm es standard gyalukés
Gyalulási szélesség:	60 mm
Gyalulási mélység tartománya:	0–1,5 mm
Összeresztési mélység:	8 mm
Bal vagy jobb oldali forgácsolóvezető:	Jobb
Élletörő V-vajatok:	2
Parkolóállás:	Automatikus
Hálózati vezeték hossza:	3 m
Méreték (H x Sz x M):	290 x 130 x 150 mm
Tömeg:	2,3 kg
<b>Zaj- és vibrációs adatok</b>	
Hangnyomás szintje, L <sub>PA</sub> :	84,7 dB(A)
Hangteljesítmény, L <sub>WA</sub> :	95,7 dB(A)
Tűrés, K:	3 dB(A)

Súlyozott vibráció, $a_h$ (fő markolaton):	2,256 m/s <sup>2</sup>
Súlyozott vibráció, $a_h$ (segédmarkolaton):	3,375 m/s <sup>2</sup>
Tűrés, K:	1,5 m/s <sup>2</sup>
A kezelő számára a zajszint meghaladhatja a 85 dB(A) értéket, és kötelező a hallásvédő eszközök alkalmazása.	
A folyamatot fejlesztés részeként a TRITON termékek műszaki adatai értesítés nélkül megváltozhatnak.	

**FIGYELEM:** Mindig viseljen hallásvédő eszközt, ha a zajszint meghaladja a 85 dB(A) értéket, és korlátozza a zajnak való kitettség időtartamát, amennyiben szükséges. Ha a zajszint még fülvédővel is kényelmetlen, azonnal helyezze abba a szerszám használatát, és ellenőrizze, hogy a fülvédő megfelelően illeszkedik-e, és biztosítja-e a szerszám által keletkezett hangszint megfelelő csökkentését.

**FIGYELEM:** A szerszám vibrációja a felhasználónál a tapintásérzék elvesztését, zsidbadást, bizsergő érzést és csökkent fogási készséget eredményezhet. A hosszú távú kitettség krónikus betegséget okozhat. Szükség esetén korlátozza a rezgésnek kitettség időtartamát, és használjon rezgéscsillapító kesztyűt. Ne használja a szerszámot csupasz kézzel a normál, kellemes hőmérséklet alatt, mivel elkerül a rezgésnek erősebb lez a hatása. A műszaki adatokban megadott vibrációs számadatokról kiszámítható a szerszám használatának időtartama és gyakorisága.

A műszaki adatokban megadott hang- és vibrációs szintek az EN60745 vagy hasonló nemzetközi szabványoknak megfelelően vannak meghatározva. A számadatok a szerszám szokásos működési körülmények között történő normál használatát jelzik. A rosszul karbantartott, rosszul összeszerelt, vagy nem megfelelő módon használt szerszámnál a zajszint és a rezgésszint megemelkedhet. A [osha.europa.eu](http://osha.europa.eu) weboldal tájékoztatást nyújt a munkahelyi hang- és vibrációs szintekről. Észnos lehet az otthoni felhasználók számára, akik a szerszámokat hosszú időn át használják.

## Általános munkavédelmi tudnivalók

**▲ FIGYELEM:** A szerszámhoz mellékelt minden biztonsági figyelmeztetést, utasítást, illusztrációt és műszaki adatot olvasson el. Az alábbi utasítások figyelmen kívül hagyása áramütést, tüzet és/vagy súlyos sérülést okozhat.

**Örizzen meg minden figyelmeztetést és utasítást a későbbi tájékozódás érdekében.**

A figyelmeztetéseken említett „szerszámgép” kifejezés az összes alábbi figyelmeztetés esetén az elektromos hálózatról üzemelő (vezetékes) és az akkumulátorral üzemelő (vezeték nélküli) szerszámgép-re is vonatkozik.

### 1) Munkaterület biztonsága

**a) Tartsa tisztán és jól megvilágítva a munkaterületet.** A rendezetlen és sötét területek vonzzák a baleseteket.

**b) Ne működtesse a szerszámgépeket robbanásveszélyes folyadékok, gázok vagy por jelenlétében.** A szerszámgép szikrákat bocsátanak ki, amelyek meggyújtják a port vagy a gázokat.

**c) A szerszámgép használata közben a gyermekeket és a környéken tartózkodókat tartsa távol.** A figyelemvonás miatt elvesztheti ellenőrzését a munka felett.

### 2) Elektromos biztonság

**a) A szerszámgép csatlakozódugója illeszkedjen a hálózati aljzathoz. Soha, semmilyen módon ne alakítsa át a dugaszt. Semmiféle csatlakozódugó-adaptert ne használjon védővezetékek ellátott („földelt”) szerszámgéphez.** A nem módosított, és az aljzatba illeszkedő csatlakozódugók csökkentik az áramütés veszélyét.

**b) Kerülje a fizikai érintkezést földelt vagy testelt felületekkel (pl. csövek, radiátorok, tűzhelyek, hűtőszekrények).** Nő az áramütés veszélye, ha a felhasználó teste földrele van.

**c) Ne tegye ki a szerszámgépeket esőnek vagy víznek. Vízszerszámok.** A szerszámgépbe kerülő víz növeli az áramütés kockázatát.

**d) Ne sértsse meg a tápkábelt. Soha ne vigye, húzza vagy távolítsa el az aljzattól a szerszámgépet a vezetéknel fogva.** A kábelt tartsa távol a hőforrásoktól, olajtól, éles peremektől vagy mozgó alkatrészekről. A megrongálódott vagy összekuszálódott kábelek növelik az áramütés veszélyét.

**e) Ha a szerszámgépet kültéri környezetben használja, használjon a kültérben alkalmazható hosszabbító kábelt.** A kültéri alkalmazásra megfelelő hosszabbító használata csökkenti az áramütés veszélyét.

**f) Amennyiben a szerszámgép nedves környezetben történő működtetése elkerülhetetlen, használjon lekapcsoló áramvédő eszközzel (FI-relé, RCD) védett áramforrást.** Az áramvédő kapcsoló használata csökkenti az áramütés veszélyét.

### 3) Személyi biztonság

**a) Legyen figyelmes, ügyeljen arra, amit tesz, és őrizze meg a józan ítélőképességét a szerszámgép működtetése közben. Ne használja a szerszámgépet, ha fáradt, vagy amennyiben kábítószerek, alkohol vagy gyógyszerek hatása alatt áll.** A szerszámgép működtetése során előfordulhat

pillanatnyi figyelmetlenség súlyos személyi sérülést eredményezhet.

- b) Használjon személyi védőfelszerelést. Mindig használjon védőszemüveget.** Az adott körülményekre alkalmazott olyan biztonsági felszerelések, mint például porvédő maszk, csúszásmentes biztonsági lábbeli vagy fülvédő csökkenti a személyi sérülések veszélyét.
- c) Kerülje el a véletlenszerű elindítást. Az áramforráshoz és/vagy az akkumulátorhoz történő csatlakoztatás előtt, vagy az eszköz felemelésekor vagy szállításakor, győződjön meg róla, hogy a BE/ KI kapcsoló az OFF (KI) helyzetben van-e.** Baleset forrása lehet, ha a szerszámgépet úgy szállítja, hogy közben az újít a BE/KI kapcsolón tartja, vagy áram alá helyezi a szerszámgépet úgy, hogy a kapcsolója bekapcsol (ON) helyzetben van.
- d) A szerszámgép bekapcsolása előtt távolítsa el minden beállítókulcsot vagy fogót.** A szerszámgép valamely mozgó alkatrészén hagyott villáskulcs vagy állítókulcs személyi sérülést okozhat.
- e) Kerülje az abnormális testtartást. Mindig biztosan álljon a lábán, és őrizze meg az egyensúlyát.** Ez a szerszámgép biztosabb irányítását teszi lehetővé váratlan helyzetekben.
- f) Ötözön megfelelően. Ne viseljen bő ruhákat vagy ékszereket. A háját és ruházatát tartsa távol a mozgó alkatrészekről.** A bő ruhák, ékszerek vagy a hosszú haj beleakadhatnak a mozgó alkatrészekbe.
- g) Amennyiben rendelkezésre állnak a jelölt készülékek és gyűjtőtartályok, csatlakoztassa és megfelelően használja azokat.** Ezeknek a készülékeknek a használata csökkenti a porral járó veszélyeket.
- h) A munkát NE a (szerszám(ok) többszöri használatából fakadó) kényelmi szempontok vagy megkönnyítés, hanem a termékre vonatkozó biztonsági rendszabályok betartásával végezze.** Egy óvatlan mozdulat a másodperc tizedeide alatt okozhat súlyos sérülést.

### 4) A szerszámgép használata és karbantartása

- a) Ne erőltesse a szerszámgépet.** A célnak megfelelő szerszámgépet használja. A megfelelő elektromos kéziszerszám jobban és biztonságosabban végzi el azt a feladatot, amelyre tervezték.
- b) A szerszámgép ne használja akkor, ha a BE/KI kapcsoló nem működik megfelelően (nem kapcsolja ki vagy be a készüléket).** A BE/KI kapcsolójával nem vezérelhető szerszámgép veszélyes, ezért meg kell javíttatni.
- c) Húzza ki a csatlakozót a tápforrásból, és/vagy vegye ki az akkumulátort a szerszámgépéből, mielőtt bármilyen beállítást vagy tartozékcsere-t hajtana végre, illetve eltávolítsa a szerszámgépet.** Az ehhez hasonló megelőző intézkedések csökkentik a véletlenszerű bekapcsolás kockázatát.
- d) A használaton kívüli szerszámgépeket tartsa távol a gyermekektől, és ne engedje, hogy a szerszámgép használatát vagy a jelen kézikönyvet nem ismerő személy működtesse a szerszámgépet.** A szerszámgép veszélyes lehetnek a gyakorlattal nem rendelkező felhasználók kezében.
- e) Tartsa karban a szerszámgépeket.** Ellenőrizze, hogy a mozgó alkatrészek illeszkedése és beállítása megfelelő-e, nincs-e rajtuk meghibásodott elem, vagy nem áll-e fenn olyan körülmény, amely hatással lehet a szerszámgép működésére. Használat előtt javítsa meg a szerszámgépet, amennyiben az sérült. A nem megfelelően karbantartott szerszámgépek sok balesetet okoznak.
- f) A vágóeszközöket tartsa élesen és tisztán.** A megfelelően karbantartott, éles vágóélekek rendelkezéskor vágószerszámoknál kevésbé valószínű a beszorulás, és a szerszám irányítása is könnyebb.
- g) A szerszámgépeket, a kiegészítőket, a betétekécsket stb. a jelen utasításoknak megfelelően használja, figyelembe véve a munkakörülményeket és a végrehajtott munkát.** A szerszámgép rendeltetésétől eltérő használata veszélyes helyzetet okozhat.
- h) A fogantyúkat és markolófelületeket tartsa szárazon, tisztán, valamint olaj- és zsírmentesen.** A csúszós fogantyúk és markolófelületek lehetetlenné teszik a szerszám biztonságos irányítását váratlan helyzetekben.

### 5) Szerviz

**a) A szerszámgép szervizelését csak képzett személy végezze, aki mindig eredeti csereszerszámokat kínál.** Ez biztosítja a szerszámgép biztonságos működésének fenntartását.

## Az elektromos gyalura vonatkozó munkavédelmi utasítások

**▲ FIGYELEM!**

- Várja meg, hogy a kés teljesen leálljon, és azután tegye le a gépet. A kiálló, mozgó gyalukés belekapathat a felületbe, és a gép feletti urolom elvesztéséhez, továbbá súlyos sérüléshez vezethet.
- A szerszámgépet kizárólag a szigetelt markolatainál fogja meg, mivel a vágófele véletlenül hozzáférhet a saját tápkábeléhez. A feszültség alatt álló vezeték elvágása miatt a szerszám fém alkatrészei is áram alá kerülhetnek, és a kezelő áramütés érheti.
- Használaton pillanatstörítőt vagy más eszközt a munkadarab stabil felületéhez való rögzítéséhez és alátámasztásához. A munkadarab kézben tartása vagy az emberi testhez szorítása instabilitást eredményez, és az urolom elvesztéséhez vezethet.
- Ha a tápkábel cseréje szükséges, a kockázatok elkerülése végett azt a gyártónak vagy a szervizképviseletnek kell elvégeznie.

- **Nyomatékosan javasoljuk, hogy az áramellátást mindig érintésvédelmi, áramvédő kapcsolón (Fi-relé) keresztül biztosítsa, amelyek az érzékenysége nem haladhatja meg a 30mA értéket.**

- **Viseljen megfelelő légzésvédő felszerelést:** A szerszám használat közben olyan kémiai anyagokat tartalmazó port hozhat létre, melyek ismertek rákkeltők, születési rendellenességet okoznak, vagy egyéb módon károsítják a reprodukációs képességet. Egyes fa fajták konzerváló anyagokat, például CCA-t (réz-króm-arzén) tartalmaznak, mely mérgezést okozhat. Ezen anyagok csiszolásokor, fúrásokor vagy vágásokor különösen óvatossággal járjon el, hogy elkerülje poraik belégését és minimálásra csökkentse a bórrel való érintkezést.

#### ▲ FIGYELEM:

- **Használjon megfelelő detektorokat annak meghatározására, hogy vannak-e rejtett vezetékek a munkaterületen.** Az elektromos vagy gázvezetékekkel való érintkezés áramütéshez, tűzhoz vagy robbanáshoz vezethet. A gázvezetékek megsérülése robbanáshoz vezethet. A vízvezetékekbe való behatolás anyagi kárt és áramütést okozhat.
- **Ne nyúljon kézzel a forgácselvezető nyílásba.** A mozgó részek végtagjai sérülést okozhatnak.
- **Használat közben nyomatékosan javasoljuk a porvédő maszk és a porélszívó rendszer használatát, melyek megóvják a kezelőt a keletkező portól.** Az elektromos gyaluk nagymennyiségű port hoznak létre, és egyes anyagok pora mérgező tulajdonságú.
- **Kizárólag éles pengéket használjon.** A pengékkel óvatosan bánjon.
- a) **Ügyeljen arra, hogy a gép adattábláján megjelölt feszültség megegyezzen az elektromos hálózat feszültségével.**
- b) **A feladat elvégzése előtt ellenőrizze a munkadarabot, és húzza ki belőle az összes szeget, csavart és más idegen anyagot.** Máskülönb a kés vagy a gyalugép megsérülhet, és balesetet okozhat.
- c) **Rongyokat, ruhákat, kábeleket, köteleket vagy hasonlót ne hagyjon a munkaterületen.** Ezzel megelőzhető, hogy felcsavarodjanak a gyalu mozgó elemeire.
- d) **Használat előtt ellenőrizze, hogy a késrögztítő csavarok szorosan vannak-e meghúzva.**
- e) **Mielőtt a gyalugéppel a munkadarabot megmunkálja, kapcsolja BE, és hagyja működni egy ideig.** Ellenőrizze a gép rezgését vagy imbolygását, mely nem megfelelően felszerelt vagy helytelenül kiegyensúlyozott késekre utalhat.
- f) **Mielőtt a gyalugépet a munkadarabhoz érintené, várja meg, amíg az eléri a teljes fordulatszámot, és utána kezdje meg a gyalulást.**
- g) **A gyalut csak két kézzel fogva működtesse, és BEKAPCSOLÁS előtt megfelelő helyzetben fogja meg.**
- h) **Ügyeljen arra, hogy a gyalu legalább 200 mm távolságra legyen az arcától és testétől.**
- i) **A gyalulás megkezdése előtt várja meg, hogy a gép elérje a maximális fordulatszámot.**
- j) **A forgácsok megszorulhatnak a forgácselvezető nyílásban, ha nedves fát gyalul.** Kapcsolja KI a gépet, és húzza ki a hálózati kábelt, hogy a forgácsokat egy pálcá segítségével eltávolítsa. Soha ne tegye az ujját a forgácselvezető nyílásba.
- k) **Bármilyen beállítási, tisztítási vagy karbantartási munka elvégzése előtt MINDIG kapcsolja KI a gépet, és hagyja, hogy a kések teljesen leálljanak.**
- l) **Ha a gépet őrizetlenül hagyja, MINDIG húzza ki a konnektorból.**
- m) **Használaton kívül húzza ki a gépet a konnektorból, és helyezze a gép talpának elejét egy fatuskóra úgy, hogy a kések ne érintkezzenek semmivel.**
- n) **Az összes kést egyszerre cserélje ki.** Máskülönb kiegyensúlyozatlanság léphet fel, mely rezgést, valamint a gyalu és a kések élettartamának csökkenését eredményezheti.

## A vágószerszámra vonatkozó munkavédelmi utasítások

**FIGYELEM:** Mielőtt az elektromos kéziszerszámot tápfeszültséghez csatlakoztatja (főkapcsoló hálózati aljzata, fali aljzat stb.), győződjön meg arról, hogy a tápfeszültség értéke megegyezik-e az elektromos kéziszerszám adattábláján megadott értékkel. A kezelő súlyos sérülést, illetve a szerszám károsodását okozhatja, ha azt az előírtól magasabb feszültségű működési. Késégsé esetben ne csatlakoztassa a gépet a hálózathoz. Ha a szükségesnél alacsonyabb értékű tápfeszültséget használ, az árthat a motornak.

### Megfelelő vágószerszámot használjon

- Bizonyosodjon meg arról, hogy a vágószerszám alkalmas-e az adott feladatra. A szerszám ismertetőjének elolvasása nélkül ne feltételezze, hogy a szerszám

alkalmas egy adott feladatra.

### Óvja a látását

- Vágószerszámok használatakor mindig viseljen megfelelő védőszemüveget.
- A hétköznapi szemüveget nem terveztek a szerszámok használatakor szükséges védelem céljára; a hagyományos lencsék nem ütészilók és eltörhetnek.

### Viseljen hallásvédő eszközt

- Mindig viseljen megfelelő hallásvédő eszközt, ha a szerszám zaja meghaladja a 85 dB értéket.

### Viseljen légzésvédő eszközt

- Ügyeljen arra, hogy Ön és a környezetében tartózkodó személyek megfelelő porvédő maszkot viseljenek.

### Óvja kezét

- Ne közelítse kezét a fűrészlaphoz vagy vágóelemhez. Használjon megfelelő nyomórudat a rövidebb munkadarabok elektromos kéziszerszámmal történő megmunkálásakor.

### Ügyeljen a környezetében lévő személyekre

- A szerszám használójára hárul annak biztosítása, hogy a munkaterületen levő többi személyt megóvja a zajtól és portól, és ellássa őket megfelelő védőfelszereléssel.

### Rejtett tárgyak

- A vágás megkezdése előtt ellenőrizze a munkadarabot, és távolítsa el belőle az összes szeget, valamint a hasonlóan beágyazódott idegen tárgyakat.
- Ne próbáljon meg beágyazódott tárgyakat tartalmazó anyagot vágni, hacsak nem biztos abban, hogy a szerszámra szerelt vágóél alkalmas ezek vágására is.
- Az épületek falaiban víz- vagy csővezetékek lehetnek, a gépjárművek karosszériája üzemanyag-vezetékek rejtett, a magas fű pedig eltakarhatja a köveket és üvegcserepeket. A művelet végrehajtása előtt mindig alaposan ellenőrizze a munkaterületet.

### Ügyeljen a gép által kiröpített anyagdarabokra.

- Bizonyos esetekben a hulladék nagy sebességgel repülhet ki a gépből. Önre hárul annak biztosítása, hogy a munkaterületen levő többi személyt megóvja az esetleg kirepülő hulladéktól.

### Vágószerszámok felszerelése

- Ügyeljen arra, hogy a vágószerszámok megfelelően, stabil legyenek a szerszámgepre rögzítve, és használat előtt ellenőrizze, hogy a villás-/állítókulcsokat eltávolította-e a gépről.
- Kizárólag a szerszámhoz javasolt vágószerszámot használjon.
- Ne próbálja meg módosítani a vágószerszámot.
- Ellenőrizze, hogy a vágófejek/kések élesek, jó állapotúak és megfelelően rögzítettek-e.
- Ne kísérlel meg az olyan vágófejek/kések élezését, melyek nem alkalmasak újraélezésre. Ezek olyan speciálisan edzett vagy ötvöztött acélból készült edzett vágóélel rendelkeznek, mely jellemzően volfrámmal tartalmaz.
- Az újraélezhető vágófejek/kések élezését csak a gyártó rendelkezései szerint szabad végezni. Ezek a vágófejek/kések bizonyos számú alkalommal újraélezhetők.
- A megélezett vágófejeket/késeket használat előtt alaposabban kell ellenőrizni, és azonnal ki kell cserélni, ha az állapotukkal és használatra való alkalmasságukkal kapcsolatban kétség merül fel.
- Ha a fűrészlap/kés olyan beágyazódott tárgyba ütökzi, melynek megmunkálására nem alkalmas, a fűrészlapot/kést haladéktalanul ki kell cserélni.

### A munkadarab adagolásának/előtölésének iránya

- A munkadarabot mindig a vágóél vagy vágószerszám mozgásával ellentétes irányban adagolja.

### Ne feledkezzen meg a felhevülésről

- Munka közben a vágószerszámok és a munkadarab felforrósodhat. Ne próbáljon meg a gépen szerszámot cserélni, míg az le nem hűlt teljesen.

### A por és a forgács mennyiségének korlátozása

- Ügyeljen arra, hogy ne halmozódjon fel a por és a forgács. A vágáskor keletkező por tüvészeség, valamint egyes fémforgácsok robbanásveszélyesek.
- Fokozott körültekintéssel járjon el fa és fém vágásokor. A fém megmunkálás szikrái könnyen meggyújthatják a faport.



- Amikor lehetséges, használjon porszívó rendszert a biztonságosabb munkakörnyezet megteremtéséhez.

## A termék ismertetése

1. Gyalulási mélység állítógombja
2. Por-/forgácskezelőt nyílás
3. BE/KI kapcsoló
4. Kioldó gomb
5. Markolat
6. Tápkábel
7. Hátsó parkolólab
8. Villáskulcs
9. Hajtósíj fedél
10. Szénkefetartó-fedél
11. Késdob
12. Fűrészlap
13. Késrögzítő pofa
14. Késrögzítő pofa csavarjai
15. V vátatok
16. Talp
17. Porzsák
18. Hajtósíj

## Rendeltetésszerű használat

Elektromos mini kézigyalu könnyű és közepes igénybevételű gyaluláshoz állítható vágási mélységgel és 8 mm-es falcgyalulási mélységgel. Kemény- és puhafán használható.

## A szerszám kicsomagolása

- Óvatosan csomagolja ki és ellenőrizze a szerszámot. Alaposan ismerkedjen meg az összes kezelőszervvel és funkcióval.
- Ellenőrizze, hogy a szerszám minden alkatrésze a helyén van és jó állapotú-e. Ha bármelyik alkatrész hiányzik vagy sérült, cseréltesse ki, mielőtt használni kezdi a szerszámot.

## A használat előtt

**△ FIGYELEM:** Bármely beállítás elvégzése, illetve a kések ki- illetve beszerelése előtt a gépet MINDIG kapcsolja KI, és a tápcsatlakozót mindig húzza ki a hálózati aljzatból.

### A kések cseréje

- A gyalu megfordítható késekkel van felszerelve. Kopás esetén a kések megfordíthatók. Ha mindkét él elkopott, a késeket ki kell dobni.
- A csere gyalukések a helyi Triton kiskereskedőn keresztül vásárolhatóak meg.

### A gyalukések eltávolítása és felszerelése

**△ FIGYELEM:** A gyalu kései élesek. A gyalukések kezeléskor mindig viseljen megfelelő védőkesztyűt.

- A kések mindkét oldalán vágóél található, így megfordíthatók. Ha egy kés egyik vágóéle kopott vagy sérült, akkor a kés megfordítva is felszerelhető a másik vágóél használatához.

**FONTOS:** Egy kést csak akkor kell lecserélni, ha az sérült. Ha egy kés elkopott, mindkettőt kést egyszerre kell lecserélni a dobon, hogy elkerülje a dob kiegyensúlyozatlanságát, ami veszélyes vibrációhoz és a szerszám megrongálódásához vezetethet.

- A kések cseréjekor megegyező méretű és súlyú késeket használjon, máskülönben a dob remegni és rázkódni fog, ami gyenge gyalulási teljesítményt és esetleg tönkremenetet eredményezhet.

- A gyalu által létrehozott felület minősége a kések beszerelésének helyességétől függ. Távolítsa el a késdobra és a késtartókra tapadt összes faforgácsot és idegen anyagot.

1. Forgassa el a késdobot (11) úgy, hogy az egyik kés (12) fellelje álljon, így elérhető legyen.
2. A villáskulccsal (8) (I. ábra) lazítsa meg a késrögzítő három csavarját annyira (14) (II. ábra), hogy a kés eltávolítható legyen a dobról.
3. Óvatosan vegye ki a kést késrögzítő nyílásából; egy kis fadarabot használjon a kés kitolásához (III. ábra).
4. Csúsztassa a kést (12) a késrögzítő nyílásába (IV. ábra) úgy, hogy a kés éle közelebb legyen a V-vátatokhoz (15), mely aztán elkeskenyedik a talp (16) felé, illeszkedve a késrögzítő kontúrjához.
5. Ügyeljen arra, hogy a kés mindkét vége egyformán emelkedjen ki (V. ábra).
6. Húzza meg a késrögzítő csavarjait (VI. ábra).

**Megjegyzés:** Ne próbálja meg a kést a késrögzítő (13) csavarokkal állítani, melyek gyárilag be vannak állítva.

### A kések helyes beállítása

- A kések helyes beállítása elengedhetetlenül szükséges, máskülönben a munkadarab felülete durvává, egyenetlenné válik. A tiszta, egyenetlen megmunkálásához a késeket úgy kell felszerelni, hogy vágóéleik tökéletesen színtben, azaz párhuzamosan álljanak a hátsó gyalutalp (16) felületével (VII. ábra).

#### Mélyedések a felületen

- Egy vagy több kés vágóéle nem párhuzamos a hátsó gyalutalppal (VIII. ábra).

#### Homorulat keletkezik indításkor

- Egy vagy több kés nem áll ki eléggé a hátsó gyalutalphez viszonyítva (IX. ábra).

### A gyalulási mélység beállítása

1. Forgassa el a gyalulási mélység állítógombját (1) az óramutató járásával megegyező irányba a kisebb mélység beállításához.
2. A mélységbeállító gomb alatti skála jelzi a gyalulás mélységét. Ha például a gyalugép elején levő mutató az „1,0” mellett áll, a gyalulás mélysége körülbelül 1,0 mm.
3. Amennyiben a gyalulás mélysége igen fontos, végezzen egy próbadarabon gyalulási próbát, majd mérje meg a vastagság különbségét, és szükség szerint végezze el a beállítást.

### A hátsó parkolólab használata

- A hátsó parkolólab (7) megóvja a munkadarabot a sérüléstől, amikor a kezelő a szerszámot lerakja.
- A parkolólab automatikusan hátrafelé becsukódik gyaluláskor (X. ábra).

### Por-/forgácselvezetés

**△ FIGYELEM:** A szerszám használatakor mindig használjon üzemi porszívót vagy por-/forgácselvezető rendszert, illetve por-/forgácsgyűjtő zsákok (17).

- Az üzemi porszívó vagy porszívó rendszer a szerszám oldalán található por-/forgácselvezető csomokhoz (2) (XI. ábra) csatlakoztatható.
- A por-/forgácsgyűjtő zsák (17) a szerszám oldalán található por-/forgácselvezető csomokhoz csatlakoztatható.

**△ FIGYELEM:** SOHA ne próbálja eltávolítani az eltömődést a por-/forgácselvezető csomokból, amikor a kések és a késdob forog. Bármilyen eltömődés eltávolítása előtt mindig húzza ki a szerszám dugvilláját a konnektorból.

## Használat

### Be- és kikapcsolás

**△ FIGYELEM:** Mielőtt csatlakoztatja a gépet a tápfeszültséghez, mindig ellenőrizze, hogy a BE/KI kapcsoló (3) és a kioldó gomb (4) helyesen működik-e.

1. Csatlakoztassa a tápvezetéket (6) a hálózati konnektorhoz.
2. Bekapcsoláshoz nyomja meg a kioldó gombot (4), és közben húzza meg a BE/KI ravaszkapcsolót (3).

**Megjegyzés:** A kioldó gombot felengedheti a gyalugép elindulása után.

3. A szerszám KI kapcsolásával engedje fel a BE/KI ravaszkapcsolót.

**△ Ne feledje,** hogy a gyalu KI kapcsolása után a kések még egy ideig forognak. A szerszám meglerakása előtt várja meg, hogy a motor teljesen leálljon, így megelőzve a gyalukések vagy a munkadarab felületének sérülését. Ha a gyalugépet az oldalára szeretné fektetni, ne fektesse a szelőzőnyílásokkal ellátott oldalára, hogy megelőzze a por és a forgácsok motorba jutását.

4. Ha a gyalugép használatát kis időre felfüggeszti, állítsa a mélységbeállító gombot (1) „0” helyzetbe, és fektesse a gép elejét egy fatuskóra, hogy a talpat távol tartsa a felülettől. Ügyeljen arra, hogy a hátsó parkolólab (7) legyen leengedve a kések védelme érdekében.

### Gyalulás

**△ FIGYELEM:** A szerszám túl gyors mozgataása gyenge minőségű felületmegmunkálást eredményezhet, valamint károsíthatja a késeket és a motort. A szerszám túl lassú mozgataása a felület megégetését vagy elcsúfítását eredményezheti. A megfelelő előtolási sebesség a megmunkálandó anyag minőségétől és a gyalulás mélységétől függ. Először egy hulladék próbadarabon gyakorolja be a megfelelő mozgatót.

**FIGYELEM:** A gyalut mindig két kézzel fogja meg.

**FIGYELEM:** Ahol lehetséges, a munkadarabot rögzítse munkapadhoz.

1. Fektesse a gyalu elejét a munkadarabra úgy, hogy a kések (12) ne érintkezzenek a munkadarabbal.
2. Ezután kapcsolja BE a szerszámot, majd várja meg, amíg a kések elérik a maximális fordulatszámukat.
3. Finoman tolja előre a gyalut, és a gyalulás kezdetén a szerszám elejére, majd

a gyalulás befejezésekor a szerszám végére fejtse ki nyomását.

4. A gyalut lebillentés nélkül tolja a munkadarab szélén túl.

**Megjegyzés:** A gyalulás könnyebb, ha a munkadarabot enyhén előre dönti magától, hogy „lejtőn” gyaluljon.

5. Az elkészült felület minőségét a gyalulás sebessége és mélysége határozza meg. Durva gyalulásához növelhető a gyalulási mélység, azonban a jó minőségű felület eléréséhez csökkenteni kell a mélységet és a tolás sebességét.

6. Emelje el a szerszámot a munkadarabtól a BE/KI ravaszkapcsoló elengedése és a feszültségmentesítés előtt.

7. A műveletek között a gyalut helyezze sík felületre, és a hátsó parkolólabát (7) engedje ki, hogy a kések ne érjenek a munkadarab felületéhez.

## Élletörés

1. Az XII. ábrán bemutatott életörés elkészítéséhez állítsa egy vonalba a gyalu talpának elején levő, megfelelő méretű „V” vajatot (15) a munkadarab sarkának élével.

**Megjegyzés:** Használja a kisebb „V” vajatot a sekélyebb életöréshez, illetve nagyobb vajatot a mélyebb életöréshez.

2. Kapcsolja BE a gyalut, és tolja végig a sarok élén.

**FONTOS:** Mindig végezzen próbát egy darab hulladék anyagon.

3. Emelje el a szerszámot a munkadarabtól a BE/KI ravaszkapcsoló elengedése és a feszültségmentesítés előtt.

## Tartozékok

• A Triton forgalmazók a tartozékok és fogyóeszközök széles választékával, többek között fűrészlappalokkal, kiegészítő pillanatszorítókkal és különböző személyi védőeszközökkel állnak rendelkezésre.

• A tartalék alkatrészek a toolsparesonline.com weboldalon rendelhetők.

## Karbantartás

**▲ FIGYELEM:** Bármilyen beállítás vagy karbantartás elvégzése előtt mindig kapcsolja KI a szerszámot, és a dugvillát húzza ki a hálózati aljzatból.

Általános átvizsgálás

• Rendszeresen ellenőrizze, hogy minden rögzítőcsavar kellően meg van-e húzva. Ezek a rezgés hatására idővel fellazulhatnak.

• Minden egyes használat előtt ellenőrizze, hogy a hálózati kábel nem sérült vagy kopott-e. Ez a tanács a szerszámmal használt hosszabbító kábelekre is érvényes.

• Amennyiben a tápkábel cseréje szükséges, a kockázatok elkerülése végett azt a gyártónak vagy a szervizképviselőnek kell elvégeznie.

## A hajtószij cseréje

• Javasoljuk, hogy a szij cseréjekor viseljen bőrkesztyűt, hogy a keze ne sérüljön meg, ha hozzáér a késekhez.

1. A hajtószij (18) cseréjéhez távolítsa el a hajtószij fedelét (9) rögzítő 3 db keresztfejű csavart.

2. Távolítsa el a sérült/kopott szíjat, és egy puha kefével tisztítsa meg a szíjtárcsákat és a környező területet.

**Megjegyzés:** A szíjtárcsák területének tisztításakor viseljen védőszemüveget.

3. Helyezze az új hajtószíjat az alsó szíjtárcsára. Félig kapassa a szij másik végét a felső szíjtárcsára, majd a tárcsa forgatásával illessze a szíjat a helyére.

4. Forgassa meg kézzel a szíjat, hogy ellenőrizze annak egyenletes futását.

5. Tegye vissza a fedelet és a rögzítőcsavarokat.

6. Csatlakoztassa a szerszámot a hálózati feszültséghez, majd hagyja egy-két

percig üresjáraton működni, és győződjön meg róla, hogy a motor és a szij megfelelően működik-e.

## Szénkefe cseréje

• Javasoljuk, hogy a szénkefék cseréjekor viseljen bőrkesztyűt, hogy a keze ne sérüljön meg, ha hozzáér a késekhez.

1. A szénkefék cseréjéhez távolítsa el a szénkefék fedelét (10) rögzítő három keresztfejű csavart.

2. Válassza le a vezetékeket a szénkeféről („A” kép).

3. Egy csavarhúzó segítségével pattintsa ki a szénkefeket az üzemi helyzetükből („B” kép).

4. Egy lapos csavarhúzóval nyissa fel a tartólapot a szénkefe házán („C” kép), majd vegye ki a szénkefét („D” kép).

5. Helyezze be az új szénkefét a házának megfelelően, ügyelve arra, hogy a szénhasábon levő vajat ugyanazon az oldalon legyen, mint a vezetővilla („E” kép).

6. Nyomja be a szénkefe rugóját, és zárja be a ház tartólapját (F).

7. Helyezze vissza az új szénkefét a házával együtt a fészékbe, és kösse vissza a vezetékeket.

8. Helyezze vissza a szénkefék fedelét, majd rögzítse a keresztfejű csavarokkal.

## Tisztítás

**▲ FIGYELEM:** MINDIG viseljen megfelelő személyi védőfelszerelést, többek között védőszemüveget és kesztyűt a szerszám tisztítása közben.

• Tartsa a szerszámgépet mindig tisztán. Szennyeződés és por határára a belső alkatrészek kopása gyorsabb lesz, és lerövidül a szerszám élettartama.

• Tisztítsa meg a gép testét egy puha kefével vagy száraz ronggyal.

• A műanyag részek tisztításához soha ne használjon maró anyagot. Amennyiben a száraz tisztítás nem elegendő, enyhén mosogatószeres rongy használatát javasoljuk.

• A szerszám soha nem érintkezhet vízzel.

• A szerszámot használat előtt alaposan szárítsa meg.

• Ha lehetséges, használjon tiszta, száraz, sűrített levegőt a szellőzőnyílások áttüvetéséhez (ahol szükséges).

## Kenés

• Megfelelő kenő aeroszollal rendszeres időközönként finoman kenje meg az összes mozgó alkatrészt.

## Tárolás

• Tárolja ezt a szerszámot körültekintően, egy biztonságos, száraz, gyermekek által nem elérhető helyen.

• Ne tárolja közvetlen napfényben.

## A készülék hulladékba helyezése

A már nem működőképes és javíthatatlan elektromos kéziszerszámok ártalmatlanítása során mindig tartsa be a nemzeti előírásokat.

• Ne dobja ki a leselejtezett elektromos kéziszerszámot vagy egyéb elektromos és elektronikus berendezést (WEEE) a háztartási hulladékkal együtt.

• Forduljon a helyi hulladékkezelési hatósághoz, hogy tájékozódjon az elektromos szerszámok ártalmatlanításának megfelelő módjáról.



## Jótállás

A jótállás regisztrálásához látogassa meg webhelyünket a tritontools.com\* címen, és adja meg adatait. Adatai bekerülnek a levelezési listánkba (kivéve, ha ezt másképpen adja meg), és tájékoztatjuk a későbbi kiadásokról. A megadott adatokat nem bocsátjuk harmadik fél rendelkezésére.

## Vásárlási nyilvántartás

Vásárlás dátuma: \_\_\_/\_\_\_/\_\_\_

Típus: TMNPL Őrítse meg a vásárlást igazoló nyugtát.

## EK Megfelelőségi nyilatkozat

Alulírott: Mr Darrell Morris

**meghatalmazva az alábbi által:** Triton

Kijelentem, hogy az alábbi

Ezt a nyilatkozatot a gyártó kizárólag a saját felelősségére bocsájította ki.

A nyilatkozat tárgya megfelel az Európai Unió idevonatkozó harmonizációs törvényeinek.

**Azonosító kód:** TMNPL

**Leírás:** 450 W mini gyalu

**kielégíti az alább felsorolt irányelvek és szabványok előírásait:**

- 2006/42/EC gépészeti irányelv
- 2014/30/EC EMC irányelv
- 2011/65/EU RoHS irányelv
- EN 60745-1:2009+A11:2010
- EN 60745-2-14:2009+A2:2010
- EN 55014-1:2006+A2:2011
- EN 55014-2:1997+A2:2008
- EN 61000-3-2:2014
- EN 61000-3-3:2013

A Triton Precíziós Szerszámgépek garantálják vásárlóinknak, hogy bármely alkatrész anyaghibából vagy gyártási hibából, a vásárlás időpontjától számított 3 éven belül bekövetkezett meghibásodása esetén, a Triton ingyenesen megjavítja - vagy alapos megfontolás esetén kicseréli – a hibás alkatrészt.

Ez a garancia nem vonatkozik ipari jellegű használatra, továbbá általános jellegű kopásra, illetve a termék nem rendeltetésszerű használatából eredő meghibásodására.

\*Regisztráljon az interneten 30 napon belül.

Feltételek és kikötések vonatkoznak.

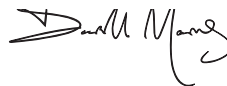
Nincs hatással a törvényben meghatározott jogaira.

**Tanúsító testület:** TÜV SÜD

**A műszaki dokumentációt tárolja:** Triton

**Dátum:** 06/07/2017

**Dátum:**



Mr Darrell Morris

Igazgató

**A gyártó neve és címe:**

Powerbox International Limited, Company No. 06897059. Registered

address: Powerbox, Boundary Way, Lufton Trading Estate, Yeovil, Somerset

BA22 8HZ, United Kingdom.

# Preklad originálního návodu

## Úvod

Děkujeme za zakoupení výrobku Triton. Tento návod obsahuje nezbytné informace pro bezpečné používání a správnou funkci tohoto výrobku. Tento výrobek nabízí mnoho jedinečných funkcí. Je možné, že jste již s podobným výrobkem pracovali; přesto si důkladně přečtěte tento návod, abyste rozuměli pokynům. Ujistěte se, že všichni, kdo s výrobkem pracují, tento návod četli a porozuměli mu.

## Použité symboly

Typový štítek na vašem nářadí může obsahovat symboly. Ty představují důležité informace o výrobku nebo pokyny k jeho použití.



Používejte chrániče sluchu  
Používejte ochranné brýle  
Používejte respirátory  
Používejte ochrannou přilbu



Používejte ochranné rukavice



Přečtěte si návod



Pozor!



**VAROVÁNÍ:** Pohybující se části mohou způsobit rozdrčení nebo řezné poranění!



**VAROVÁNÍ:** Ostré ostří nebo zuby!



Nedotýkejte se ostří dřívě, než nářadí odpojíte z elektrické sítě a ostří se úplně zastaví



Nebezpečné výpary nebo plyny!



Nářadí vždy vypojte z elektrické sítě, pokud provádíte úpravy, měníte příslušenství, čistíte, provádíte údržbu, a když nářadí nepoužíváte!



Pouze pro použití uvnitř!



Třída ochrany II (dvojitá izolace pro vyšší ochranu)



Vnitřní proudová pojistka se aktivuje při 3,15 A



V souladu s příslušnou legislativou a bezpečnostními standardy



**Ochrana životního prostředí**

Nevyhazujte elektronářadí do domovního odpadu. Zařízení odevzdejte k recyklaci. V případě dotazů kontaktujte příslušný úřad nebo prodejce.

## Tabulka technických zkratk

V	volt
~, AC	střídavý proud
A, mA	ampér, miliampér
n <sub>0</sub>	otáčky naprázdno
n	Jmenovité otáčky
opm	oběhy nebo oscilace za minutu
°	stupně
Hz	hertz
==, DC	stejnoseměrný proud
W, kW	watt, kilowatt
/min or min <sup>-1</sup>	operace za minutu
rpm	otáčky za minutu
dB(A)	hladina akustického tlaku v decibelech (vážená)
m/s <sup>2</sup>	metry za sekundu <sup>2</sup> (velikost vibrací)
Ø	průměr

## Technická data

Model	TMNPL
Napětí	220–240 V~ 50/60 Hz
Výkon	450 W
Krytí	IP20
Otáčky naprázdno	16000 otáček/minutu
Řezy za minutu	32000 otáček/minutu
Hoblovací nože	2 oboustranné nože 60mm standardní
Hoblovací šířka	60 mm
Tloušťka odebírané vrstvy	0–1,5 mm
Tloušťka odebírané vrstvy	8 mm
Volitelné vyhazování třísek vlevo či vpravo	vpravo
Zkosené drážky tvaru „V“	2
Parkovací klapka	automatická
Délka přívodního kabelu	3 m
Rozměry (D x Š x V)	290 x 130 x 150 mm
Hmotnost	2,3 kg
<b>Informace o hlučnosti a vibracích</b>	
Vážený akustický tlak L <sub>PA</sub>	84,7 dB(A)
Vážený akustický výkon L <sub>WA</sub>	95,7 dB(A)
Tolerance K	3 dB(A)
Vážené vibrace a <sub>n</sub> (hlavní rukojeť)	2,256 m/s <sup>2</sup>

Vážené vibrace $a_h$ (přední rukojeť)	3,375 m/s <sup>2</sup>
Tolerance K	1,5 m/s <sup>2</sup>
<p>Pokud úroveň hluku dle použití elektronářadí překročí 85 dB(A), vždy noste chrániče sluchu a omezte dobu práce s elektronářadím. Pokud se hladina hluku stane nepřijemnou, s chrániči sluchu, ihned přestaňte nářadí používat. Zkontrolujte, zda mate chrániče sluchu správným způsobem, aby mohly poskytovat potřebné snížení hladiny hluku, které elektronářadí vydává.</p> <p><b>VAROVÁNÍ:</b> Vystavení se vibracím elektronářadí může způsobit ztrátu vnímavosti dotyku, necitlivost rukou, mravení či a/nebo omezenou schopnost úchopu. Dlouhodobé vystavení vibracím může ovlivnit změny v chronický stav. Pokud je třeba, omezte čas, kdy jste vibracím vystaveni a používejte anti-vibrační rukavice. Elektronářadí nepoužívejte v prostředí s nižší než pokojovou teplotou, protože vibrace mohou mít větší efekt. Využijte hodnot uvedených v technických datech, abyste určili vhodnou délku práce a frekvenci práce s elektronářadím.</p> <p>Úroveň hluku a vibrací byla změřena podle mezinárodních standardů. Naměřené hodnoty odpovídají běžnému užítí elektronářadí v běžných pracovních podmínkách. Špatné udržování, nesprávné složení nebo špatně používané nářadí může vytvářet vyšší hladiny hluku i vibrací. <a href="http://www.osha.europa.eu">www.osha.europa.eu</a> nabízí informace o úrovni hluku a vibrací v pracovním prostředí; tyto informace mohou být užitečné pro hobby uživatele, kteří používají přístroj častěji.</p>	

**VAROVÁNÍ:** Pokud hladina hluku přesáhne 85 dB(A), vždy noste chrániče sluchu a omezte dobu práce s elektronářadím. Pokud se hladina hluku stane nepřijemnou, s chrániči sluchu, ihned přestaňte nářadí používat. Zkontrolujte, zda mate chrániče sluchu správným způsobem, aby mohly poskytovat potřebné snížení hladiny hluku, které elektronářadí vydává.

**VAROVÁNÍ:** Vystavení se vibracím elektronářadí může způsobit ztrátu vnímavosti dotyku, necitlivost rukou, mravení či a/nebo omezenou schopnost úchopu. Dlouhodobé vystavení vibracím může ovlivnit změny v chronický stav. Pokud je třeba, omezte čas, kdy jste vibracím vystaveni a používejte anti-vibrační rukavice. Elektronářadí nepoužívejte v prostředí s nižší než pokojovou teplotou, protože vibrace mohou mít větší efekt. Využijte hodnot uvedených v technických datech, abyste určili vhodnou délku práce a frekvenci práce s elektronářadím.

Úroveň hluku a vibrací byla změřena podle mezinárodních standardů. Naměřené hodnoty odpovídají běžnému užítí elektronářadí v běžných pracovních podmínkách. Špatné udržování, nesprávné složení nebo špatně používané nářadí může vytvářet vyšší hladiny hluku i vibrací. [www.osha.europa.eu](http://www.osha.europa.eu) nabízí informace o úrovni hluku a vibrací v pracovním prostředí; tyto informace mohou být užitečné pro hobby uživatele, kteří používají přístroj častěji.

## Bezpečnostní opatření

**UPOZORNĚNÍ** Přečtete si všechna bezpečnostní varování a instrukce.

Neuposlechutí následujících varování může způsobit úraz elektrickým proudem, požár a/nebo vážné poranění.

Uchovejte všechna varování a instrukce pro budoucí použití.

Výrazem "elektronářadí" zmiňovaným v bezpečnostních opatřeních se rozumí zařízení používané v elektrické síti (se síťovým kabelem) nebo zařízení, které využívá bateriový pohon (bez síťového kabelu).

### 1) Bezpečnost pracovního místa

a) Udržujte pracovní místo čisté a dobře osvětlené. Nepořádek nebo neosvětlené pracovní místo může vést k úrazům.

b) **Nepoužívejte elektronářadí v prostředí ohroženém explozí, kde se nacházejí hořlavé kapaliny, plyny nebo prach.** Elektronářadí vytváří jiskry, které mohou prach nebo páry zapálit.

c) **Děti a jiné přihlížející osoby udržujte při použití elektronářadí daleko od pracovního místa.** Při rozptýlení můžete ztratit kontrolu nad přístrojem.

### 2) Bezpečná práce s elektřinou

a) **Připojovací zástrčka elektronářadí musí odpovídat zásuvce. Zástrčka nesmí být žádným způsobem upravená.** Společně s elektronářadím s ochranným uzemněním nepoužívejte žádné adaptérové zástrčky. Neupravené zástrčky a vhodné zásuvky snižují pravděpodobnost úrazu elektrickým proudem.

b) **Vyhýnejte se tělesnému kontaktu s uzemněnými povrchy jako je potrubí, topná tělesa, sporáky a chladničky.** Je-li vaše tělo uzemněno, hrozí zvýšené riziko úrazu elektrickým proudem.

c) **Chraňte zařízení před deštěm a vlhkem.** Vniknutí vody do elektronářadí zvyšuje nebezpečí úrazu elektrickým proudem.

d) **Dbejte na účel kabelu, nepoužívejte jej k nošení či zavěšení elektronářadí nebo k vytáhání zástrčky ze zásuvky. Udržujte kabel daleko od tepla, oleje, ostrých hran nebo pohyblivých dílů stroje.** Poškozené nebo spletené kabely zvyšují riziko zášahu elektrickým proudem.

e) **Pokud pracujete s elektronářadím venku, použijte pouze takové prodlužovací kabely, které jsou způsobilé i pro venkovní použití.** Použití prodlužovacího kabelu, jež je vhodný pro použití venku, snižuje riziko zášahu elektrickým proudem.

f) **Pokud se nelze vyhnout provozu elektronářadí ve vlhkém prostředí, použijte proudový chránič.** Použití proudového chrániče snižuje riziko zášahu elektrickým proudem.

### 3) Osobní bezpečnost

a) **Buďte pozorní, dávejte pozor na to, co děláte, a přistupujte k práci s elektronářadím rozumně. Nepoužívejte žádné elektronářadí, pokud jste unaveni nebo pod vlivem drog, alkoholu nebo léků.** Moment nepozornosti při použití elektronářadí může vést k vážným poraněním.

b) **Noste osobní ochranné pomůcky a vždy ochranné brýle.** Nošení osobních ochranných pomůcek jako je maska proti prachu, bezpečnostní obuv s protiskluzovou podrážkou, ochranná přilba nebo sluchátka, podle druhu použití elektronářadí, snižují riziko poranění.

c) **Zabraňte neúmyslnému uvedení do provozu. Přesvědčte se, že je elektronářadí vypnuté, dříve, než jej uchopíte, poneseťe či připojíte na zdroj proudu a/nebo akumulátor.** Máte-li při nošení elektronářadí prst na spínači, nebo pokud stroj připojíte ke zdroji proudu zapnutý, může dojít k úrazům.

d) **Než elektronářadí zapnete, odstraňte seřizovací nástroje nebo šroubováky.** Nástroj nebo klíč, který se nachází v otačivém dílu stroje, může vést k poranění.

e) **Zajistěte si bezpečný postoj a udržujte vždy rovnováhu.** Tim můžete elektronářadí v neočekávaných situacích lépe kontrolovat.

f) **Noste vhodný oděv. Nenoste žádný volný oděv nebo šperky. Vlasy, oděv a rukavice udržujte daleko od pohyblivých se dílů.** Volný oděv, šperky nebo dlouhé vlasy mohou být zachyceny pohybujícími se díly.

g) **Lze-li namontovat odsávací či zachycující přípravy, přesvědčte se, že jsou připojeny a správně použity.** Použití odsávání prachu může snížit ohrožení prachem.

h) **Nedovolte, aby zblžlost získaná při časté práci s nářadím oslabila vaši pozornost a dodržování bezpečnostních opatření.** Neopatrné zacházení může způsobit poranění během zlomu sekundy.

### 4) Svědomitě zacházení a používání elektronářadí

a) **Přístroj nepřetěžujte. Pro svou práci použijte k tomu určené elektronářadí.** S vhodným elektronářadím zvládnete práci lépe a bezpečněji.

b) **Nepoužívejte žádné elektronářadí, jehož spínač nebo přírodní kabel je vadný.** Elektronářadí, které netže zapnout či vypnout, je nebezpečné a musí se opravit.

c) **Než provedete seřízení stroje, výměnu dílů příslušenství nebo stroj odložíte, vytáhnete zástrčku ze zásuvky a/nebo odstraníte akumulátor.** Toto preventivní opatření zabráni neúmyslnému zapnutí elektronářadí.

d) **Uchovávejte nepoužívané elektronářadí mimo dosah dětí. Nenechte stroj používat osobám, které se strojem nejsou seznámeny nebo nechtly tyto pokyny.** Elektronářadí je nebezpečné, je-li používáno nezkušenými osobami.

e) **Pečujte o elektronářadí svědomitě. Zkontrolujte, zda pohyblivé díly stroje bezvadně fungují a nevzpříčují se, zda díly nejsou zlomené nebo poškozené tak, že je omezena funkce elektronářadí. Poškozené díly nechte před opětovným použitím přístroje opravit.** Mnoho úrazů má příčinu ve špatné udržování elektronářadí.

f) **Rezné nástroje udržujte ostré a čisté.** Pečlivě ošetřované rezné nástroje s ostrými reznými hranami se méně vzpříčují a snadněji se vedou.

g) **Používejte elektronářadí, příslušenství, nasazovací nástroje apod. podle těchto pokynů. Respektujte přitom pracovní podmínky a prováděnou činnost.** Použití elektronářadí pro jiné než určené použití může vést k nebezpečným situacím.

h) **Rukojeť a povrchy, za které nářadí držíte, udržujte suché, čisté a bez mastnoty.** Kluzké rukojeť a povrchy, za které nářadí držíte, nedovolují bezpečné držení nářadí a kontrolu nad nářadím v neočekávaných situacích.

### 5) Servis

a) **Nechte vaše elektronářadí opravit pouze certifikovaným odborným personálem a pouze s originálními náhradními díly.** Tim bude zajištěno, že bezpečnost stroje zůstane zachována.

## Dodatečné bezpečnostní opatření pro elektrické hoblíky



### VAROVÁNÍ!

- **Než nářadí položíte, počkejte, dokud se nože úplně nezastaví.** Rotující nože mohou zachytit materiál a způsobit, že ztratíte nad nářadím kontrolu a dojde ke zranění.
- **Nářadí držte pouze za izolované rukojeť a povrchy, pokud provádíte práci, při které by nářadí mohlo přijít do kontaktu s vlastním přírodním kabelem.** Přifuzní "živého" kabelu může způsobit, že kovové části elektronářadí se stanou také "živými" a mohou způsobit pracovníkovi úraz elektrickým proudem.
- **Používejte svěrky nebo jiné způsoby, jak materiál zajistit a správně podepřít.** Pokud budete materiál držet pouze rukou nebo ho opírat o své tělo, může dojít k ztrátě kontroly nad nářadím.
- **Pokud je třeba vyměnit přírodní kabel, musí to provést výrobce nebo prodejce, aby se předešlo bezpečnostnímu riziku.**
- **Důrazně se doporučuje, aby byl nástroj vždy používán s proudovým chráničem se jmenovitým zbytkovým proudem 30 mA nebo méně.**



**Používejte vhodnou respirační ochranu:** Při používání tohoto nářadí může vznikat prach, který může obsahovat chemikálie, které jsou rakovinotvorné, způsobují poškození plodu a jiné potíže. Některá dřeva obsahují konzervanty jako např. anorganické soli typu CCA (měď-chrom-arsén), které mohou být jedovaté. Pokud takovéto materiály brousíte, vrátě do nich nebo je řežete, vyvarujte se kontaktu s kůží a použijte vhodnou respirační ochranu.

## ⚠ DŮLEŽITÉ

- **Používejte vhodné detektory, abyste před započetím práce odhalili, zda se v pracovní oblasti nenacházejí sítě.** Pokud dojde ke kontaktu s elektrickým vedením, může dojít k požáru a úrazu elektrickým proudem. Poničení plynového potrubí může způsobit výbuch. Poničení vodovodního potrubí může způsobit poničení majetku a způsobit úraz elektrickým proudem.
- **Do výfuku tržek nestrkejte prsty.** Může dojít k úrazu rotujícími součástkami.
- **Během používání tohoto nářadí vám důrazně doporučujeme používání vhodného respirátoru/masky a systému pro odsávání prachu.** Elektrické hoblíky vytváří mnoho prachu a některý může být toxický.
- **Používejte pouze ostré nože.** S noži pracujte velmi opatrně.
  - a) Zkontrolujte, že napětí na typovém štítku nářadí odpovídá napětí v síti.
  - b) Ujistěte se, že všechny hřebíky, šrouby atd. jsou z opracovávaného materiálu odstraněny před započetím práce. Pokud tak neučiníte, můžete zničit hoblovací nůž nebo samotný hoblík
  - c) Zkontrolujte, že hadry, kabely, struny a podobné předměty jsou mimo pracovní plochu. Mohlo by dojít ke vtažení do hoblovacího mechanismu
  - d) Před započetím práce se ujistěte, že šrouby upevňující hoblovací nůž, jsou pevně utaženy
  - e) Před tím, než začnete s hoblíkem opracovávat materiál, hoblík zapněte a nechejte ho chvíli volně běžet. Všimněte si neobvyklých vibrací nebo kmitání – může to být známkou špatně nainstalovaného nebo špatně umístěného hoblovacího nože
  - f) Předtím, než začnete opracovávat materiál, vždy nechte hoblík dosáhnout plného výkonu
  - g) S hoblíkem pracujte pouze, pokud ho plně kontrolujete oběma rukama
  - h) Ujistěte se, že hoblík se vždy nachází minimálně 200 mm od vašeho obličje i těla
  - i) Než začnete hoblovat, hoblovací nože musí dosáhnout plné rychlosti
  - j) Zhoblované odštěpky mohou ucpat hoblovací základnu, především pokud hoblujete vlhké dřevo. Vypněte hoblík, vypojte ho ze sítě a dřívkem zachycené kousky odstraňte. Nikdy nestrkejte prsty mezi hoblovací nože
  - k) Hoblík VZDY vypněte a počkejte do úplného zastavení hoblíku, teprve pak můžete měnit nastavení nebo upravovat hoblovací nože
  - l) Pokud ponecháváte hoblík bez dozoru, VZDY ho vypojte z elektrické sítě
  - m) Pokud hoblík nepoužíváte, vypojte ho ze sítě a umístěte ho na dřevěný blok tak, aby se hoblovací nože ničeho nedotýkaly
  - n) Pokud vyměňujete hoblovací nože, vyměňujte vždy všechny zaráz. Pokud tak neučiníte, hoblík bude vibrovat a zkrátíte tím životnost hoblovacích nožů i samotného elektronářadí

## Bezpečnostní opatření pro řezné nářadí

**VAROVÁNÍ:** Před připojením nářadí do sítě zkontrolujte síťové napětí! Napětí zdroje proudu musí souhlasit s údaji na typovém štítku elektronářadí. Síťové napětí větší než napětí uvedené na typovém štítku může způsobit těžké poranění uživatele a/nebo zničení přístroje. Pokud si nejste jisti, přístroj nezapojte do sítě. Síťové napětí nižší než napětí uvedené na typovém štítku ničí motor.

### Používejte správné řezné nářadí

- Ujistěte se, že řezné nářadí je vhodné pro danou práci. Nepředpokládejte, že nářadí je vhodné, dokud se před použitím nepodíváte do návodu

### Chraňte svůj zrak

- Vždy noste vhodné ochranné brýle, když pracujete s řezným nářadím
- Brýle nejsou určeny pro ochranu očí při použití tohoto nářadí; běžná skla nejsou odolná proti nárazu a mohou se roztrhnout

### Chraňte svůj sluch

- Vždy noste vhodné chrániče sluchu, pokud hluk nářadí převyšuje 85 dB

### Chraňte si dýchací cesty

- Ujistěte se, že vy i okoltojící, mají vhodné dýchací masky

### Chraňte své ruce

- Nepřiblížujte ruce ke kotoučům či jiným řezným nástrojům. Používejte vhodné pomůcky pro posouvání materiálu, pokud pracujete s kratšími kusy

### Sledujte své okolí

- Je zodpovědností uživatele nářadí, aby okoltojící lidé nebyli vystaveni nebezpečnému hluku nebo prachu a aby měli vhodné osobní ochranné pomůcky

### Skruté objekty

- Materiál zkontrolujte a odstraňte všechny hřebíky a jiné objekty před započetím práce

- Nepokoušejte se řezat materiál, který obsahuje skryté objekty, pokud si nejste jisti, že řezné nářadí přípevně v nástroji tuto práci zvládne
- Ve stěnách mohou být elektrické rozvody a trubky, kapoty mohou obsahovat rozvody paliva apod. Vždy zkontrolujte místo, kde se chystáte pracovat, předtím, než práci započnete

## Dávejte pozor na odletující odpadní materiál

- V některých situacích může dojít k tomu, že odpadní materiál může být vymršťován směrem pryč od nářadí. Je zodpovědností uživatele nářadí, aby okoltojící lidé byli chráněni před odletujícími materiálem

## Upevnění řezných nástrojů

- Ujistěte se, že řezné nástroje jsou správně a bezpečně přichyceny k nářadí. Zkontrolujte, že jste odstranili klíče před použitím nářadí
- Používejte pouze řezné nástroje určené pro práci s tímto nářadím
- Řezné nástroje neupravujte
- Ujistěte se, že řezný nástroj je ostrý, v dobrém stavu a správně uchycený
- Nepokoušejte se ostřit řezné nástroje, které nejsou určeny k opakovanému ostření – takové nástroje mohou mít speciálně trvanlivé ostří, které je vyrobeno z tvrdých slitin obsahujících např. wolfram
- Ostří, které je možné opakovaně ostřit, ostřete pouze podle pokynů výrobce tohoto ostří. Pokyny mohou např. obsahovat konečný počet ostření
- Opakovaně ostřitelné řezné nástroje by měly být před započetím práce důkladně prohlédnuta, a pokud máte pochyby o jejich stavu a trvanlivosti, vyměňte je
- Pokud přijde ostří do kontaktu s materiálem, pro který není určeno, okamžitě ostří vyměňte

## Směr vstupu materiálu

- Materiál vždy podávejte proti směru pohybu frézy nebo kotouče

## Dávejte pozor na teplotu nástrojů

- Při používání dochází k zahřátí řezných nástrojů. Nijak s nimi nemanipulujte, dokud úplně nevychladnou

## Kontrola prachu/špon

- Nedovolte, aby došlo k napečnění prachu nebo špon. Prach se může vznítit a některé kovové špony mohou vybuchnout
- Při řezání dřeva a kovu buďte zvláště opatrní. Jiskry, které vznikají při řezání kovu, jsou běžnou příčinou vzniku požáru dřevitého prachu
- Kde je to možné, používejte systém pro odsávání prachu, abyste zajistili bezpečnější pracovní prostředí

## Popis dílů

1. Otočný knoflík nastavení tloušťky odebrané vrstvy
2. Výfuk tržek
3. Spinač
4. Blokovací tlačítko
5. Rukojeť
6. Přívodní kabel
7. Zadní parkovací klapka
8. Klíč
9. Kryt hnacího řemene
10. Krytka přístupu k uhlíku
11. Nožová hlava
12. Nože
13. Pouzdro upnutí nože
14. Šrouby pouzdra a upnutí nože
15. Drážky pro srážení hran
16. Základna
17. Sáček na prach
18. Hnací řemen

## Doporučené použití

Elektrický mini ruční hoblík pro lehké až střední hoblování s volitelnou hloubkou odebrané vrstvy a 8 mm tloušťkou odebrané vrstvy. Je možné ho použít na tvrdé i měkké dřevo.

## Vybalení vašeho nářadí

- Nářadí opatrně vybalte a zkontrolujte. Seznamte se se všemi jeho vlastnostmi a funkcemi
- Ujistěte se, že v balení byly všechny díly a že jsou v pořádku. Pokud bude nějaký díl chybět nebo bude poškozen, nechejte si tyto díly vyměnit předtím, než s nářadím začnete pracovat

## Před použitím

**VAROVÁNÍ:** Vždy se ujistěte, že je přístroj vypnut a vypojený z elektrické sítě, než budete provádět úpravy nastavení nebo výměnu hoblovacích nožů nebo výměnu smirkové hlavy.

### Výměna hoblovacích nožů

- Hoblik je vybaven noži s 2 řeznými hranami. Hoblovací nůž můžete otočit, pokud je tupý. Poté, co jsou obě strany tupé, je třeba nože vyměnit za nové
- Náhradní hoblovací nože jsou k dispozici u Vašeho prodejce Triton

### Vymontování a namontování hoblovacích nožů

**VAROVÁNÍ:** Hoblovací nože jsou ostré! Když pracujete s hoblovacími noži, vždy používejte rukavice.

- Hoblovací nože mají 2 řezné hrany a jsou tak použitelné z obou stran. Pokud dojde ke ztupení nebo zničení jedné řezné hrany, můžete nože otočit a nainstalovat je z druhé strany, abyste využili i druhou řeznou stranu
  - DŮLEŽITÉ:** Jediný hoblovací nůž můžete nahradit, pouze pokud došlo ke zničení nože. Pokud je ostří nože tupé, musíte vyměnit oba nože v nožové hlavě, abyste předešli nerovnoměrnému hoblování, které může způsobit nebezpečné vibrace anebo zničení nářadí
  - Pokud vyměňujete hoblovací nože, použijte hoblovací nože té samé velikosti i váhy, jinak dojde k oscilaci a vibracím nožové hlavy. To způsobí špatný výkon hobliku, který může vést až ke zničení nářadí
  - Kvalitní povrch závisí na správné instalaci hoblovacích nožů. Vycištěte frisky a odštěpky, které se zachytí na hoblovacích nožích nebo nožové hlavě
- Otočte nožovou hlavou (11) tak, aby jeden z nožů (12) mířil nahoru
  - Pomocí klíče (8) (obr. I) povolte tři šrouby upnutí nože (14) (obr. II) tak, abyste mohli nůž vyjmout z nožové hlavy
  - Nůž opatrně vyměňte z pouzdra upnutí nože – např. pomocí kousku dřeva nůž vytlačte (obr. III)
  - Nůž (12) nasuňte do pouzdra upnutí nože (obr. IV) tak, aby hrana nože byla blízce k zářezům pro srážení hran (15), které se zužují směrem k základně (16)
  - Ujistěte se, že oba konce nože vyčnívají stejně (obr. V)
  - Utáhněte šrouby pouzdra upnutí nože (obr. VI)
- Poznámka:** Nepokošujte se nastavovat polohu nožů pomocí šroubů pouzdra upnutí nože (13), ty jsou nastaveny z výroby.

### Nastavení správného úhlu hoblovacích nožů

- Pro bezproblémové hoblování materiálu je třeba, aby hoblovací nože byly správně umístěny. Jinak dojde k tomu, že hoblování materiál bude nerovný a hrubý. Pro čisté, jemné řezy je třeba, aby hoblovací nože byly připraveny naprosto rovně, tedy souběžně se zadní základnou (16) (obr. VII)

#### Zářezy v povrchu v průběhu hoblování

- Řezná hrana jednoho nebo obou nožů není souběžně se zadní základnou (obr. VIII)

#### Rýha při začátku hoblování

- Jeden nebo oba nože dostatečně nevycházejí vzhledem k pozici zadní základny (obr. IX)

### Úprava hloubky odebrané vrstvy

- Otočte knoflíkem nastavení tloušťky odebrané vrstvy (1) ve směru hodinových ručiček pro hlubší řez a protisměru hodinových ručiček pro mělčí řez
- Stupnice na otočném knoflíku udává hloubku odebrané vrstvy. Např. když „1“ je proti ukazateli napravo od otočného knoflíku, hloubka odebrané vrstvy je přibližně 1 mm
- Pokud potřebujete odebrat přesnou hloubku materiálu, nejdříve proveďte test na pokusném vzorku – změňte hloubku odebrané vrstvy a upravte nastavení, pokud je třeba

### Použití zadní parkovací klapky

- Zadní parkovací klapka (7) chrání materiál před poškozením, když hoblik odložíte
- Při hoblování klapka automaticky zapadne (obr. X)

### Odsávání prachu/trěsek

**VAROVÁNÍ:** Když s nářadím pracujete, vždy používejte dilenský systém pro odsávání prachu, vysavač nebo sáček na prach (17).

- Dilenský systém pro odsávání prachu anebo domácí vysavač může být připojen k výfuku trěsek (2) (obr. XI)
- K portu pro odvádění prachu můžete připojit sáček na prach (17)

**VAROVÁNÍ:** NIKDY neodstraňujte zaseknuté frisky z portu pro odsávání prachu, pokud nožová hlava rotuje. Než budete cokoliv odstraňovat, nejdříve nářadí vypojte z elektrické sítě.

## Pokyny pro použití

### Zapnutí a vypnutí nářadí

**VAROVÁNÍ:** Předtím, než nářadí připojíte do elektrické zásuvky, vždy zkontrolujte, zda spínač (3) a blokovací tlačítko (4) správně pracují

- Zapojte přívodní kabel (6) do elektrické sítě
- Abyste nářadí uvedli do chodu, stlačte blokovací tlačítko (4) a zatlačte na spínač (3)

**Poznámka:** Jakmile hoblik nastartujete, můžete blokovací tlačítko pusit

- Abyste nářadí zastavili, uvolněte tlak na spínač

**VAROVÁNÍ:** Uvědomte si, že po vypnutí hoblik ještě nějakou chvíli zastavuje rotaci hlavy. Počkejte, dokud se motor úplně nezastaví předtím, než hoblik odložíte. Předjedete tak poškození hoblovacích nožů nebo povrchu materiálu. Pokud chcete hoblik položit na bok, nepokládejte ho na stranu s výfukem, aby se frisky a prach nedostaly do motoru

- Pokud nebudete hoblik kratší dobu používat, nastavte hloubku odebrání na „0“ – pak můžete hoblik odložit na dřevěný blok, nože nebudou v kontaktu s povrchem bloku. Ujistěte se, že zadní parkovací klapka (7) je zvednutá, aby byly chráněny hoblovací nože

### Hoblování

**VAROVÁNÍ:** Příliš rychlé pohyby hoblikem mohou způsobit špatnou kvalitu řezu a také může dojít k poškození hoblovacích nožů či zničení motoru. Příliš pomalé pohyby mohou způsobit spálení materiálu nebo pokažení řezu. Správná rychlost záleží na typu opracovávaného materiálu a hloubce řezu. Doporučujeme provést zkušební řez na kusu materiálu.

**VAROVÁNÍ:** Vždy používejte obě ruce pro vedení hobliku

**VAROVÁNÍ:** Kdykoliv je to možné, opracovávaný materiál upevněte svěrkami

- Umístěte předeek hobliku na opracovávaný kus, ujistěte se, že hoblovací nože (12) nejsou v kontaktu s materiálem
  - Zapněte hoblik a počkejte, dokud nářadí nedosáhne plných otáček
  - Jemně pohybujte hoblikem dopředu, tlačte na přední stranu hobliku na začátku hoblování a při konci práce tlačte na konec hobliku
  - Tlačte hoblik přes okraj materiálu bez stlačování dolů
- Poznámka:** Hoblování je snazší, když materiál trochu nakloníte směrem od vás – hoblujete pak jakoby směrem dolů
- Rychlost hoblování a hloubka odebrané vrstvy určují kvalitu konečného povrchu. Pro hrubé opracování můžete zvětšit hloubku řezu, ale abyste dosáhli dobrých výsledků, je lepší zmenšit hloubku odebrané vrstvy a pohybovat hoblikem pomaleji
  - Než uvolníte tlak na spínač a vypnete nářadí, hoblik zvedněte z materiálu
  - Mezi jednotlivými operacemi můžete hoblik odstitavit na hladký povrch se zvednutou zadní parkovací klápkou (7) – podepírá hoblik zespodu, takže se hoblovací nože nedotýkají povrchu

### Srážení hran

- Abyste mohli provádět srážení hran (obr. XII), nasadte hoblik drážkou tvaru „V“ (15) na přední straně hobliku na hranu materiálu
- Poznámka:** Menší drážku použijte pro menší srážení, větší pro větší
- Hoblik zapněte a veďte ho podél této hrany

- DŮLEŽITÉ:** Srážení hran vždy nejdříve vyzkoušejte na kousku materiálu
- Než uvolníte tlak na spínač a vypnete nářadí, hoblik zvedněte z materiálu

## Příslušenství

- Sortiment příslušenství a spotřebního materiálu – včetně nožů, kotoučů, svěrek a osobních ochranných pomůcek – je k dispozici u vašeho prodejce Triton
- Náhradní díly je možné objednat na [toolsparesonline.com](http://toolsparesonline.com)

## Údržba

**VAROVÁNÍ:** Předtím, než na nástroj provádíte úpravy nebo opravy, se ujistěte, že je nářadí odpojeno z elektrické sítě.

### Základní kontrola stavu

- Pravidelně kontrolujte, že všechny šrouby jsou pevně přitážené. Působením času a vibrací se mohou uvolnit
- Pravidelně kontrolujte přívodní kabel před každým použitím. Opravy může provádět pouze certifikované servisní středisko Triton. Toto doporučení se také týká produčtovacích kabelů, které používáte společně s nářadím
- Výměnu síťového kabelu je oprávněn dělat pouze výrobce, obchodní zástupce výrobce anebo certifikované servisní středisko, aby bylo minimalizováno bezpečnostní riziko

## Výměna hnacího řemene

- Doporučujeme, abyste při výměně hnacího řemene nosili kožené rukavice, pokud by došlo ke kontaktu s hoblovacími noži
1. Abyste mohli vyměnit hnací řemen (18), nejdříve je třeba odstranit tři křížové šrouby, které zajišťují kryt řemene (9)
  2. Odstraňte zničený řemen a použijte jemný kartáček pro očištění řemenice a jejího okolí

**Poznámka:** Vždy noste ochranné brýle, pokud čistíte okolí řemenice

3. Vložte řemen do spodní řemenice. Částečně nasadte druhý konec řemene na horní řemenici a řemen narolujte na místo otáčením řemenice
4. Ručním otočením řemene se ujistěte, že se řemen správně otáčí
5. Nasadte kryt a upevněte ho šrouby
6. Připojte hoblík do elektrické sítě a ponechte hoblík běžet minutu až dvě naprázdno, abyste se ujistili, že motor i řemen správně fungují

## Výměna uhlíků

- Doporučujeme, abyste při výměně uhlíků nosili kožené rukavice, pokud by došlo ke kontaktu s hoblovacími noži
1. Odstraňte tři křížové šrouby, které zajišťují krytku přístupu k uhlíku (10)
  2. Odpojte kabely z uhlíku (obr. A)
  3. Pomocí šroubováku odstraňte uhlíky z pozice (obr. B)
  4. Pomocí plochého šroubováku otevřete pouzdro na uhlík (obr. C) a odstraňte uhlík (obr. D)
  5. Správně vložte nový uhlík – zkontrolujte, že zářez na uhlíku je na stejné straně, jako je zajišťovací plíšek (obr. E)
  6. Stlačte pružinu uhlíku a uhlík zatlačte dovnitř (obr. F)
  7. Uhlík vložte do pozice a připojte kabely
  8. Nasadte krytku uhlíku a zajistěte ji šrouby

## Čištění

**VAROVÁNÍ:** Vždy používejte ochranné brýle, pokud nářadí čistíte

- Udržujte nářadí po celou dobu používání v čistotě. Špína a prach můžou rychle způsobit zanesení vnitřních částí a zkrátí životnost nářadí
- Čistěte těleso brusky měkkým kartáčem nebo suchým hadříkem
- Nikdy nepoužívejte chemická činidla k čištění plastových dílů. Pokud je očištění nedostatečné, doporučuje se použít saponát na vlhké utěrce
- Voda nesmí nikdy přijít do kontaktu s nářadím
- Ujistěte se, že nářadí je pečlivě vysušeno před použitím
- Profoukněte ventilační otvory nářadí stlačeným vzduchem, pokud je k dispozici

## Mazání

- Promazávejte všechny pohyblivé části vhodným mazacím sprejem v doporučených intervalech mazání

## Skladování

- Toto nářadí uchovávejte na bezpečném, suchém místě mimo dosah dětí
- Nářadí skladujte mimo dosah slunečního svitu

## Likvidace

Vždy dbejte místních zákonů, pokud potřebujete přístroj zlikvidovat, protože již nefunguje a není možné ho opravit.

- Nevyhazujte elektronářadí nebo jiný elektroodpad (WEEE) do domovního odpadu
- V případě dotazů kontaktujte příslušný úřad pro bližší informace o likvidaci elektrozařízení

## Záruka

Pro registraci záruky navštivte naše webové stránky tritontools.com\* a zadejte informace o výrobku. Vaše údaje budou uloženy (pokud tuto možnost nezakážete) a budou vám zasílány novinky. Vaše údaje neposkytneme žádné třetí straně.

## Záznam o nákupu

Datum pořízení: \_\_\_/\_\_\_/\_\_\_

Model: TMNPL  
Kupní doklad uschovejte jako potvrzení zakoupení výrobku

## CE Prohlášení o shodě

Níže podepsaný: pan Darrell Morris

zplnomocněný: Triton

prohlašuje, že

Toto prohlášení bylo vydáno na výhradní odpovědnost výrobce.

Předmět tohoto prohlášení je v souladu s příslušnou harmonizační legislativou Unie.

Výrobek číslo: TMNPL

Popis: 450 W Mini hoblík 60 mm

Byl uveden na trh ve shodě se základními požadavky a příslušnými ustanoveními následujících směrnic:

Směrnice o bezpečnosti strojních zařízení 2006/42/EC  
Směrnice o technických požadavcích na výrobky z hlediska jejich elektromagnetické kompatibility 2014/30/EC

Směrnice RoHS 2011/65/EU

- EN 60745-1:2009+A11:2010
- EN 60745-2-14:2009+A2:2010
- EN 55014-1:2006+A2:2011
- EN 55014-2:1997+A2:2008
- EN 61000-3-2:2014
- EN 61000-3-3:2013

Pokud se během 3-letá ode dne nákupu objeví závada výrobku společností Triton Precision Power Tools, která byla způsobena vadou materiálu nebo vadným zpracováním, Triton opraví nebo vymění vadný díl zdarma.

Tato záruka se nevztahuje na výrobky, které budou používány pro komerční účely, a dále na poškození, které je způsobeno neodborným použitím nebo mechanickým poškozením výrobku.

\* Registrovat se během 30 dní od nákupu.

Změna podmínek vyhrazena.

Těmito podmínkami nejsou dotčena vaše zákonná práva.

Notifikovaná osoba: TÜV SÜD

Technická dokumentace je uložena u: Triton

Datum: 06/07/2017

Podpis:



Mr Darrell Morris

Výkonný ředitel

Jméno a adresa výrobce:

Powerbox International Limited, Company No. 06897059. Registrovaná

adresa: Powerbox, Boundary Way, Lufton Trading Estate, Yeovil, Somerset

BA22 8HZ, United Kingdom.

# Preklad originálneho návodu

## Úvod

Ďakujeme za zakúpenie výrobku Triton. tento manuál obsahuje informácie nutné k bezpečnému používaniu a správne fungovaniu tohto výrobku. Tento výrobok ponúka mnoho jedinečných funkcií. Je možné, že ste už s podobným výrobkom pracovali, napriek tomu si však prečítajte tento manuál, aby ste naplno pochopili všetky inštrukcie. Uistite sa, že každý, kto s výrobkom pracuje, si tento manuál prečítal a porozumel mu.

## Použitie symboly

Typový štítok na vašom náradí môže obsahovať symboly. Tie predstavujú dôležité informácie o výrobku alebo pokyny na jeho použitie.



Používajte chrániče sluchu  
Používajte ochranné okuliare  
Používajte respirátory  
Používajte ochranu hlavy



Prečítajte si návod



Používajte ochranné rukavice



Pozor!



**VAROVANIE:** Pohyblivé časti môžu spôsobiť rozdrveniu alebo reznú poranenia!



**VAROVANIE:** Ostré ostrienie alebo zuby!



Nedotýkajte sa ostria skôr, ako náradie odpojíte z elektrickej siete a ostrienie sa úplne zastaví



Nebezpečné výpary alebo plyny!



Náradie vždy vypojte z elektrickej siete, ak vykonávate úpravy, meníte príslušenstvo, čistíte, vykonávate údržbu a keď náradie nepoužívate!



Výhradne na vnútorné použitie!



Trieda ochrany II (dvojité izolácie pre väčšiu ochranu)



Vnútorná prúdová poistka sa aktivuje pri 3,15 A



V súlade s príslušnou legislatívou a bezpečnostnými štandardmi



**Ochrana životného prostredia**  
Nevyhadzujte elektronáradie do domového odpadu. Zariadenie odovzdajte na recykláciu. V prípade otázok kontaktujte príslušný úrad alebo predajcu.

## Tabuľka technických skratiek

V	volty
~, AC	striedavý prúd
A, mA	ampér, miliampér
n <sub>0</sub>	otáčky naprázdno
n	menovité otáčky
opm	obehy alebo oscilácie za minútu
°	stupňa
Hz	hertz
=, DC	jednosmerný prúd
W, kW	watt, kilowatt
/min or min <sup>-1</sup>	operácie za minútu
rpm	otáčky za minútu
dB(A)	hladina hluku v decibeloch (vážená)
m/s <sup>2</sup>	metre za sekundu <sup>2</sup> (veľkosť vibrácií)
Ø	priemer

## Technické informácie

Model	TMNPL
Napätie	220–240 V~ 50/60 Hz
Výkon	450 W
Krytie	IP20
Otáčky naprázdno	16000 otáčok/minútu
Rezy za minútu	32000 otáčok/minútu
Hobl'ovacie nože	2 obojstranné nože 60 mm štandardné
Hobl'ovacia šírka	60 mm
Hrúbka odoberanej vrstvy	0–1,5 mm
Hrúbka odoberanej vrstvy	8 mm
Voliteľné vyhadzovanie triesok vľavo alebo vpravo	vpravo
Skosené drážky tvaru "V"	2
Parkovacia klapka	automatická
Dĺžka privodného kábla	3 m
Rozmery (D x Š x V)	290 x 130 x 150 mm
Hmotnosť	2,3 kg
<b>Informácie o hlučnosti a vibráciách</b>	
Vážený akustický tlak L <sub>PA</sub>	84,7 dB(A)
Vážený akustický výkon L <sub>WA</sub>	95,7 dB(A)
Tolerancia K	3 dB(A)



Vážené vibrácie a <sub>h</sub> (hlavná rukoväť)	2,256 m/s <sup>2</sup>
Vážené vibrácie a <sub>r</sub> (predná rukoväť)	3,375 m/s <sup>2</sup>
Tolerancia K	1,5 m/s <sup>2</sup>
<b>Pokiaľ úroveň hluku podľa požiadaviek elektronáradia prekročí 85 dB(A), je treba prijať ochranné protihlukové opatrenia.</b> <b>Vzhľadom na nepretržitý vývoj výrobkov Triton, sa technické informácie našich výrobkov môžu meniť bez ohľadovania.</b>	

**VAROVANIE:** Ak hladina hluku presiahne 85 dB(A), vzhľadom na chrániče sluchu a obmedzte dobu práce s elektronáradiem. Pokiaľ sa hladina hluku stane neprijemnou aj s chráničmi sluchu, ihneď prestaňte náradie používať. Skontrolujte, či máte chrániče sluchu správne pripevnené, aby mohli poskytnúť potrebné zníženie hladiny hluku, ktorú elektronáradie vydáva.

**VAROVANIE:** Vystavenie sa vibráciám elektronáradia môže spôsobiť stratu vnímania dotyku, necitlivosť rúk, mravčenie a/alebo obmedzenú schopnosť uchopiť. Dlhodobé vystavenie sa vibráciám môže tieto problémy zmeniť na chronický stav. Ak je treba, obmedzte čas, kedy ste vibráciám vystavení a používajte anti-vibračné rukavice. Elektronáradie nepoužívajte v prostredí s teplotou nižšou než je izbová teplota, pretože vibrácie môžu mať väčší efekt. Využite hodnoty uvedené v technických informáciách, aby ste určili vhodnú dobu práce a frekvenciu práce s elektronáradiem.

Úroveň hluku a vibrácií bola zmeraná podľa meracích metód normovaných v EN60745, príp. podobných medzinárodných štandardov. Namerané hodnoty zodpovedajú bežnému používaniu elektronáradia v bežných pracovných podmienkach. Nevhodne udržiavané, nesprávne zložené alebo nesprávne používané náradie môže vytvárať vyššie hladiny hluku a vibrácií. osha.europa.eu ponúka informácie o úrovni hluku a vibrácií v pracovnom prostredí; tieto informácie môžu byť užitočné pre hobby používateľov, ktorí používajú prístroj často.

## Bezpečnostní opatření

**UPOZORNĚNÍ:** Prečítajte si všetky bezpečnostné varovania a inštrukcie. Neuposlúchnutie nasledujúcich varovaní môže spôsobiť úraz elektrickým prúdom, požiar a/alebo vážne poranenie!

Podčiarknite všetky varovania a inštrukcie pre budúce používanie.

Pod výrazom „elektronáradie“ používaným v bezpečnostných opatreniach sa rozumie zariadenie zapojené do elektrickej siete (sieťovým káblom) alebo zariadenie, ktoré využíva batériový pohon (bez sieťového kábla).

### 1) Bezpečnosť pracovného miesta

a) **Udržujte pracovné miesto čisté a dobre osvetlené.** Neporiadok alebo neosvetlené pracovné miesto môže viesť k úrazom.

b) **Nepoužívajte elektronáradie v prostredí kde hrozí výbuch, kde sa nachádzajú horľavé kvapaliny, plyny alebo prach.** Elektronáradie vytvára iskry, ktoré môžu prach alebo výparý zapáliť.

c) **Deti a iné priradiadajúce osoby udržujte pri používaní elektronáradia ďaleko od pracovného miesta.** Pri rozptýlení môžete stratiť kontrolu nad prístrojom.

### 2) Bezpečná práca s elektrinou

a) **Pripojovacia zástřrčka elektronáradia musí zodpovedať zásuvke.** Zástřrčka nesmie byť žiadnym spôsobom upravená. Pri používaní elektronáradia s ochranným uzemnením nepoužívajte žiadne adaptérové zástřrčky. Neupravené zástřrčky a vhodné zásuvky znižujú pravdepodobnosť úrazu elektrickým prúdom.

b) **Vyhňte sa telesnému kontaktu s uzemnenými povrchmi ako je potrubie, vykurovacie telesá, sporáky a chladničky.** Ak je vaše telo uzemnené, hrozí zvýšené riziko úrazu elektrickým prúdom.

c) **Chráňte zariadenie pred dažďom a vlhkom.** Vniknutie vody do elektronáradia zvyšuje nebezpečenstvo úrazu elektrickým prúdom.

d) **Obdajte na úče kábla, nepoužívajte ho na nosenie či vešanie elektronáradia alebo na vytiahnutie zástřrčky zo zásuvky. Udržujte kábel ďaleko od tepla, oleja, ostrých hrán alebo pohyblivých dielov stroja.** Poškodené alebo zamotané káble zvyšujú riziko zásahu elektrickým prúdom.

e) **Pokiaľ pracujete s elektronáradiem vonku, použite jedine také predizolovacie káble, ktoré sú usposobené aj pre vonkajšie použitie.** Použite predizolovacie kábla, ktoré je vhodné na použitie vonku, znižuje riziko zásahu elektrickým prúdom.

f) **Pokiaľ sa nedá vyhnúť použitiu elektronáradia vo vlhkom prostredí, použite prúdový chránič.** Použitie prúdového chrániča znižuje riziko zásahu elektrickým prúdom.

### 3) Osobná bezpečnosť

a) **Buďte pozorní, dávajte pozor na to, čo robíte a prístupujte k práci s elektronáradiem rozumne.** Pokiaľ ste unavení, pod vplyvom drog, alkoholu alebo liekov, elektronáradie nepoužívajte. Moment nepozornosti pri použití elektronáradia môže viesť k vážnym poraneniám.

b) **Noste osobné ochranné pomôcky a vždy ochranné okuliare.** Nosenie osobných ochranných pomôcok ako je maska proti prachu, bezpečnostná obuv s protišmykovou podrážkou, ochranná prilba alebo sluchadlá podľa druhu použitého elektronáradia znižuje riziko poranenia.

c) **Zabráňte neúmyselnému uvedeniu zariadenia do prevádzky. Presvedčte sa, či je elektronáradie vypnuté skôr, než ho uchopíte, poniesite či pripojíte k zdroju prúdu a/alebo akumulátoru.** Ak máte pri nesení elektronáradia prst na spínači, alebo pokiaľ stroj pripojíte k zdroju prúdu s už zapnutým vypínačom, môže dôjsť k úrazom.

d) **Než elektronáradie zapnete, odstráňte nastavovacie náradie alebo skrutkovače.** Nástroj alebo kľúč, ktorý sa nachádza v oŕačavom diely stroja, môže viesť k poraneniu.

e) **Zaistite si bezpečný postoj a vždy udržiavajte rovnováhu.** Tým môžete elektronáradie v neočakávaných situáciách lepšie kontrolovať.

f) **Noste vhodný odev. Nenoste žiadny voľný odev alebo šperky.** Vlasý, odev a rukavice udržiavte ďaleko od pohybujúcich sa dielov. Voľný odev, šperky alebo dlhé vlasy môžu byť zachytené pohybujúcimi sa dielmi.

g) **ak je možné namontovať odsávacie či zachytávacie zariadenia, presvedčte sa, že sú pripojené a správne používané.** Použitie odsávania prachu môže znížiť ohrozenia spôsobené prachom.

h) **Nedovoľte, aby bezohľadnosť získaná pri častej práci s náradím oslabila vašu pozornosť a dodržiavanie bezpečnostných opatrení.** Neopatrné zaobchádzanie môže spôsobiť poranenie počas zlomu sekundy.

### 4) Svedomité zaobchádzanie a používanie elektronáradia

a) **Prístroj nepreťažujte.** Na prácu, ktorú vykonávate, použite na to určené elektronáradie. S vhodným elektronáradiem zvládnete prácu lepšie a bezpečnejšie.

b) **Nepoužívajte elektronáradie, ktorého spínač alebo prívodný kábel je chýbný.** Elektronáradie, ktoré sa nedá zapnúť či vypnúť, je nebezpečné a musí sa opraviť.

c) **Kým vykonáte zostavenie stroja, výmenu dielov príslušenstva alebo stroj odložte, vytiahnite zástřrčku zo zásuvky a/alebo odstráňte akumulátor.** Toto preventívne opatrenie zabráni neúmyselnému zapnutiu elektronáradia.

d) **Nepoužívajte elektronáradie uchovávané mimo dosah detí. Stroj nedovoľte používať osobám, ktorú so strojom nie sú obznanené alebo nečítali tieto pokyny.** Elektronáradie je nebezpečné, ak je používané nesúkšenými osobami.

e) **Svedomite sa o elektronáradie starajte.** Skontrolujte, či pohyblivé diely stroja fungujú bezchybne a nie sú vzpriehené, či diely nie sú zlomené alebo poškodené tak, že je obmedzená funkcia elektronáradia. Poškodené diely nechajte pre opätovným použitím prístroja opraviť. Mnoho úrazov je zapríčinených zlou údržbou elektronáradia.

f) **Rezné nástroje udržiavte ostré a čisté.** Riziko vzpriehenia správne ošetrovaných rezných nástrojov s ostrými výreznými hranami je menšie, a taktó ošetrované nástroje sa ľahšie vedú.

g) **Používajte elektronáradie, príslušenstvo, nasadzovacie nástroje a pod. podľa týchto pokynov. Respektujte pritom pracovné podmienky a vykonávanú činnosť.** Používanie elektronáradia na iné než určené použitie môže viesť k nebezpečným situáciám.

h) **Rukoväte a povrchy, za ktoré náradie držiťe, udržiavte suché, čisté a bez mastnoty.** Klzké rukoväte a povrchy, za ktoré náradie držiťe, nedovoľujú bezpečné držanie náradia a kontrolu nad náradím v neočakávaných situáciách.

### 5) Servis

a) **Svoje elektronáradie nechávajte opraviť výhradne certifikovaným odborným personálom za použitiu výhradne originálnych náhradných dielov.** Tým bude zaistené, že bezpečnosť stroja zostane zachovaná.

## Bezpečnostné opatrenia pre elektrické hobličky

### VAROVANIE!

- **Skôr ako náradie položíte, počkajte, kým sa nože úplne nezastavia.** Rotujúce nože môžu zachytiť materiál a spôsobiť, že stratíte nad náradím kontrolu a dôjde k zraneniu.
- **Náradie držte iba za izolovanú rukoväť a povrchy, ak vykonávate prácu, pri ktorej by náradia mohlo prísť do kontaktu s vlastným prívodným káblom.** Prezrasenie "živého" kábla môže spôsobiť, že kovové časti elektrického náradia sa stanú tiež "živými" a môžu spôsobiť pracovníkovi úraz elektrickým prúdom
- **Používajte svorky alebo iné spôsoby, ako materiál zaistiť a správne podprieť.** Ak budete materiál držať iba rukou alebo ho opierať o svoje telo, môže dôjsť k strate kontroly nad náradím.
- **ak je potrebné vymeniť prívodný kábel, musí to vykonať výrobca alebo predajca, aby sa predišlo bezpečnostnému riziku.**
- **Dôrazne sa odporúča, aby bol nástroj vždy používaný s prúdovým chráničom s menovitým zvyškovým prúdom 30 mA alebo menej.**



- **Používajte vhodnú respiračnú ochranu:** Pri používaní tohto náradia môže vzniknúť prach, ktorý môže obsahovať chemikálie, ktoré sú rakovinotvorné, spôsobujú poškodenie pľudu a iné ťažkosti. Niektoré dreva obsahujú konzervanty ako napr. anorganické soli typu CCA (med-chró-m-arzén), ktoré môžu byť jedovaté. Ak takéto materiály brusíte, vrátate do nich alebo je režete, vyvarujte sa kontaktu s kožou a použite vhodnú ochrannú dýchacia.

## DÔLEŽITÉ

- **Používajte vhodné detektory, aby ste pred začatím práce odhalili, či sa v pracovnej oblasti nenachádzajú siete.** Ak dôjde ku kontaktu s elektrickým vedením, môže dôjsť k požiaru a úrazu elektrickým prúdom. Zničenie plynového potrubia môže spôsobiť výbuch. Zničenie vodovodného potrubia môže spôsobiť ničenie majetku a spôsobiť úraz elektrickým prúdom.
- **Do výfuku triesok nestrkajte prsty.** Môže dôjsť k úrazu rotujúcimi súčiastkami.
- **Počas používania tohto náradia vám dôrazne odporúčame používanie vhodného respirátora/masky a systému pre odsávanie prachu.** Elektrický hoblík vytvára množstvo prachu a niektorý môže byť toxický.
- **Používajte iba ostré nože.** S nožmi pracujte veľmi opätne.
  - a) Skontrolujte, že napätie na typovom štítku náradia zodpovedá napätiu v sieti.
  - b) **Uistite sa, že všetky klince, skrutky atď. sú z opracovávaného materiálu odstránené pred započutím práce.** Ak tak neučinite, môžete zničiť hoblivovací nôž alebo samotný hoblík
  - c) **Zaistite, aby všetky handričky, káble, povrazy a podobné veci boli odstránené z pracovného priestoru,** aby sa zabránilo zamotaniu do mechanizmu hoblíka
  - d) **Pred započutím práce sa uistite, že skrutky upevňujúce hoblivovací nôž sú pevne utiahnuté**
  - e) **Predtým, než začnete s hoblíkom opracovávať materiál, hoblík zapnite a nechajte ho chvíľu voľne bežať.** Všimajte si neobyčajných vibrácií alebo kmítania – môže to byť známka nesprávne nainštalovaného alebo spätne umiestneného hoblivovacieho noža
  - f) **Predtým, než začnete opracovávať materiál, vždy nechajte hoblík dosiahnuť plného výkonu**
  - g) **S hoblíkom pracujte iba vtedy, ak ho plne kontrolujete oboma rukami**
  - h) **Uistite sa, že hoblík sa vždy nachádza minimálne 200 mm od vašej tváre a tela**
  - i) **Skôr ako začnete hoblívať, hoblivovacie nože musí dosiahnuť plnej rýchlosti**
  - j) **Zhobľované odštiepky môžu upchať hoblivovaci základňu, predovšetkým ak hoblíte vlhké drevo.** Vypnite hoblík, vypojte ho zo siete a drevkom zachytené kúsky odstráňte. Nikdy nestrkajte prsty medzi hoblivovacie nože
  - k) **Hoblík vypnite a počkajte do úplného zastavenia hoblíku, až potom môžete meniť nastavenie alebo upravovať hoblivovacie nože**
  - l) **Ak ponechávate hoblík bez dozoru, vždy ho vypojte z elektrickej siete**
  - m) **ak hoblík nepoužívate, vypojte ho zo siete a umiestnite ho na drevený blok tak, aby sa hoblivovacie nože ničoho nedotýkali**
  - n) **ak vymieňate hoblivovacie nože, vymieňajte vždy všetky naraz.** Ak tak neučinite, hoblík bude vibrovať a skrátime tým životnosť hoblivovacích nožov i samotného elektrónáradia

## Bezpečnostné opatrenia pre rezné náradie

**VAROVANIE.** Skontrolujte sieťové napätie! Napätie zdroja prúdu musí súhlasiť s údajmi na typovom štítku elektrónáradia. Sieťové napätie väčšie ako napätie uvedené na typovom štítku môže spôsobiť ťažké poranenie používateľa a/alebo zničenie prístroja. Ak si nie ste istí, prístroj nezapájajte do siete. Sieťové napätie nižšie ako napätie uvedené na typovom štítku ničia motor.

### Používajte správne rezné náradie

- Uistite sa, že rezné náradie je vhodné pre danú prácu. Nepredpokladajte, že náradie je vhodné, kým sa pred použitím nepozriete do návodu

### Chráňte svoj zrak

- Vždy noste vhodné ochranné okuliare, keď pracujete s rezným náradím
- Okuliare nie sú určené pre ochranu očí pri použití tohto náradia; bežná skla nie sú odolné proti nárazu a môžu sa roztriešťať

### Chráňte svoj sluch

- Vždy noste vhodné chrániče sluchu, ak hluk náradie prevyší 85 dB
- Chráňte si dýchacie cesty
- Uistite sa, že vy aj okolostojaci, majú vhodné dýchacie masky

### Chráňte svoje ruky

- Nepribližujte ruky ku kotúčom či iným rezným nástrojom. Používajte vhodné pomôcky pre posúvanie materiálu, ak pracujete s kratšími kusmi

### Sledujte svoje okolie

- Je zodpovednosťou užívateľa náradia, aby okolostojace ľudia neboli vystavení nebezpečnému hluku alebo prachu a aby mali vhodné osobné ochranné pomôcky

## Skryté objekty

- Materiál skontrolujte a odstráňte všetky klince a iné objekty pred začatím práce
- Nepokúšajte sa rezať materiál, ktorý obsahuje skryté objekty, ak si nie ste istí, že rezné náradie prípravne v rozstvy túto prácu zvládne
- V stenách môžu byť elektrické rozvody a rúrky, kapoty môžu obsahovať rozvody paliva a pod. Vždy skontrolujte miesto, kde sa chystáte pracovať, predtým, než prácu začnete

## Dávajte pozor na odletujúci odpadový materiál

- V niektorých situáciách môže dôjsť k tomu, že odpadový materiál môže byť vymršťovaný smerom pred od náradia. Je zodpovednosťou užívateľa náradia, aby okolostojace ľudia boli chránení pred odletujúcim materiálom

## Upevnenie rezných nástrojov

- Uistite sa, že rezné nástroje sú správne a bezpečne prichytené k náradia. Skontrolujte, že ste odstránili klúče pred použitím náradia
- Používajte iba rezné nástroje určené pre prácu s týmto náradím
- Rezné nástroje neupravujte
- Uistite sa, že rezný nástroj je ostrý, v dobrom stave a správne uchytенý
- Nepokúšajte sa ostríť rezné nástroje, ktoré nie sú určené na opakované ostrenie - také nástroje môžu mať špeciálne tvrdené ostrie, ktoré je vyrobené z tvrdých zliatin obsahujúcich napr. volfrám
- Ostrie, ktoré je možné opakovane ostríť, ostríte len podľa pokynov výrobcu tohto ostria. Pokyny môžu napr. obsahovať konečný počet ostrení
- Opakovane ostriteľné rezné nástroje by mali byť pred začatím práce dôkladne prehladnuté a ak máte pochybnosti o ich stave a trvanlivosti, vymeňte ich
- Ak príde ostrie do kontaktu s materiálom, pre ktoré nie je určené, okamžite ostrie vymeňte

## Smer vstupu materiálu

- Materiál vždy podávajte proti smeru pohybu frézy alebo kotúče

## Dávajte pozor na teplotu nástrojov

- Pri používaní dochádza k zahriatiu rezných nástrojov. Nikako s nimi nemanimulujete, kým úplne nevychladnú

## Kontrola prachu/špon

- Nedovoľte, aby došlo k napečeniu prachu alebo špon. Prach sa môže vznietiť a niektoré kovové špony môžu vybuchnúť
- Pri rezaní dreva a kovu buďte zvlášť opatrní. Iskry, ktoré vznikajú pri rezaní kovu, sú bežnou príčinou vzniku požiaru dreveného prachu
- Kde je to možné, používajte systém pre odsávanie prachu, aby ste zaistili bezpečnejšie pracovné prostredie

## Popis dielov

1. Otočný gombík nastavenie hrúbky odobranej vrstvy
2. Výfuk triesok
3. Spinač
4. Blokovacie tlačidlo
5. Rukoväť
6. Prívodný kábel
7. Zadána parkovaci klapka
8. Kľúč
9. Kryt hnacieho remeňa
10. Krytka prístupu k uhliku
11. Hlava noža
12. Nože
13. Puzdro upnutie noža
14. Skrutky puzdra upnutie noža
15. Drážky na zrážanie hrán
16. Základňa
17. Vrecko na prach
18. Hnací remeň

## Odporúčané použitie

Elektrický mini ručný hoblík pre ľahké až stredné hoblívanie s voľiteľnou hĺbkou odobranej vrstvy a 8 mm hrúbkou odobranej vrstvy. Je možné ho použiť na tvrdé i mäkké drevo.

# Vybalenie vášho náradia

- Náradie opatrne vybalte a skontrolujte. Oboznámte sa so všetkými jeho vlastnosťami a funkciami.
- Uistite sa, že v balení boli všetky diely a že sú v poriadku. Pokiaľ by niektorý diel chýbal alebo bol poškodený, nechajte si tento diel vymeniť pred tým, než s náradím začnete pracovať.

## Pred použitím

**VAROVANIE:** Vždy za uistite, že je prístroj vypnutý a vypojený z elektrickej siete, než budete vykonávať úpravy nastavenia alebo výmenu hoblovacích nožov alebo výmenu šmirglovej hlavy.

## Výmena hoblovacích nožov

- Hoblík je vybavený nožmi s 2 reznými hranami. Hobľovací nôž môžete otočiť, ak je tupý. Potom, čo sú obe strany tupé, treba nože vymeniť za nové
- Náhradné hoblavacie nože sú k dispozícii u Vášho predajcu Triton

## Demontáž a namontovanie hoblovacích nožov

**VAROVANIE:** Hobľovacie nože sú ostré! Keď pracujete s hoblovacími nožmi, vždy používajte rukavice.

- Hoblavacie nože majú 2 rezné hrany a sú tak použiteľné z oboch strán. Pokiaľ dôjde k otupeniu alebo zničeniu jednej reznej hrany, môžete nože otočiť a nainštalovať je z druhej strany, aby ste využili aj druhú reznú stranu

**DÔLEŽITÉ:** Jediný hoblovací nôž môžete nahradiť, len ak došlo k zničeniu noža. Ak je ostré nože tupé, musíte vymeniť oboje nože v nožovej hlave, aby ste predišli nerovnomernému hoblavaniu, ktoré môže spôsobiť nebezpečné vibrácie alebo zničenie náradia

- Ak vymieňate hoblavacie nože, použite hoblavacie nože tej istej veľkosti i váhy, inak dôjde k oscilácii a vibráciám nožovej hlavy. To spôsobí zlý výkon hoblíka, ktorý môže viesť až k zničeniu náradie
  - Kvalitný povrch závisí na správnej inštalácii hoblovacích nožov. Vyčistite triesky a štiepky, ktoré sa zachytia na hoblovacích nožoch alebo nožovej hlave
- Otočte hlavou noža (11) tak, aby jeden z nožov (12) mieril hore
  - Pomocou kľúča (8) (obr. I) povolte tri skrutky upnutia noža (14) (obr. II) tak, aby ste mohli nôž vyňať z hlavy noža
  - Nôž opatrne vyberte z puzdra upnutie noža - napr. pomocou kúska dreva nôž vytlačte (obr. III)
  - Nôž (12) nasuňte do puzdra upnutia noža (obr. IV) tak, aby hrana noža bola bližšie k zárezom na zrážanie hrán (15), ktoré sa zužujú smerom k základni (16)
  - Uistite sa, že oba konce noža vyčnievajú rovnako (obr. V)
  - Zatiahnite skrutky puzdra upnutia noža (obr. VI)

**Poznámka:** Nepokúšajte sa nastavovať polohu nožov pomocou skrutiek puzdra upnutie noža (13), tie sú nastavené z výroby.

## Nastavenie správneho uhla hoblovacích nožov

- Pre bezproblémové hoblovanie materiálu je potrebné, aby hoblavacie nože boli správne umiestnené. Inak dôjde k tomu, že hoblovaný materiál bude nerovný a hrubý. Pre čisté, jemné rezy je potrebné, aby hoblavacie nože boli pripevnené úplne rovno, teda súbežne so zadnou základňou (16) (obr. VII)

### Zárezy v povrchu v priebehu hoblovania

- Rezná hrana jedného alebo oboch nožov nie je súbežná so zadnou základňou (obr. VIII)

### Ryha pri začiatku hoblovania

- Jeden alebo oba nože dostatočne nevyčnievajú vzhľadom k pozícii zadnej základne (obr. IX)

## Úprava hĺbky odoberanej vrstvy

- Otočte gombíkom nastavenia hrúbky odoberanej vrstvy (1) v smere hodinových ručičiek pre hlbší rez a proti smeru hodinových ručičiek pre plyšší rez
- Stupnica na otočnom gombíku udáva hĺbku odoberanej vrstvy. Napr. keď „1“ je proti ukazateľovi napravo od otočného gombíku, hĺbka odoberanej vrstvy je približne 1 mm
- Ak potrebujete odoberať presnú hĺbku materiálu, najprv urobte test na pokusnom vzorku – zmerajte hĺbku odoberanej vrstvy a upravte nastavenie, ak je potreba

## Použitie zadnej parkovacie klapky

- Zadná parkovacia klapka (7) chráni materiál pred poškodením, keď hoblík odložíte
- Pri hoblovaní klapka automaticky zapadne (obr. X)

## Odsávanie prachu/triesok

**VAROVANIE:** Keď s náradím pracujete, vždy používajte dielenský systém pre odsávanie prachu, vysávač alebo vrecko na prach (17).

- Dielenský systém pre odsávanie prachu alebo domáci vysávač môže byť pripojený k výfuku triesok (2) (obr. XI)
- K portu pre oddávanie prachu môžete pripojiť vrecko na prach (17)

**VAROVANIE:** NIKDY neodstraňujte zaseknuté triesky z portu pre odsávanie prachu, ak nožová hlava rotuje. Než budete čokoľvek odstraňovať, najskôr náradie vypojte z elektrickej siete.

## Pokyny na použitie

### Zapnutie a vypnutie nástroja

**VAROVANIE:** Predtým, než nástroj pripojíte do elektrickej zásuvky, vždy skontrolujte, či spínač (3) a blokovacie tlačidlo (4) správne pracujú

- Zapojte prívodný kábel (6) do elektrickej siete
- Aby ste náradie uviedli do chodu, stlačte blokovacie tlačidlo (4) a zatlačte na vypínač (3)

**Poznámka:** Akonáhle hoblík našartujete, môžete blokovacie tlačidlo pustiť a Aby ste náradie zastavili, uvoľnite tlak na spínač

- VAROVANIE:** Uvedomte si, že po vypnutí hoblík ešte nejakú chvíľu zastavuje rotáciu hlavy. Počkajte, dokiaľ sa motor úplne nezastaví predtým, než hoblík odložíte. Predídete tak poškodeniu hoblovacích nožov alebo povrchu materiálu. Ak chcete hoblík položiť na bok, nepokladajte ho na stranu s výfukom, aby sa triesky a prach nedostali do motoru
- Ak nebudete hoblík kratšiu dobu používať, nastavte hĺbku odoberania na „0“ – potom môžete hoblík odložiť na drevený blok, nože nebudú v kontakte s povrchom bloku. Uistite sa, že zadná parkovacia klapka je zdvihnutá, aby boli chránené hoblavacie nože

## Hoblovanie

**VAROVANIE:** Príliš rýchle pohyby hoblíkom môžu spôsobiť špatnú kvalitu rezu a taktiež môže dôjsť k poškodeniu hoblovacích nožov či zničeniu motoru. Príliš pomalé pohyby môžu spôsobiť spálenie materiálu alebo pokazenie rezu. Správna rýchlosť záleží na type opracovávaného materiálu a hĺbke rezu. Odporúčame urobiť skúšobný rez na kuse materiálu.

**VAROVANIE:** Vždy používajte obe ruky na vedenie hoblíku

**VAROVANIE:** Kedykoľvek je to možné, opracovávaný materiál upevnite zvierkami

- Umiestnite predok hoblíku na opracovaný kus, uistite sa, že hoblavacie nože (12) nie sú v kontakte s materiálom
  - Zapnite hoblík a počkajte, dokiaľ nástroj nedosiahne plných otáčok
  - Jemne pohybujte hoblíkom dopredu, tlačte na prednú stranu hoblíku na začiatku hoblovania a pri konci práce tlačte na koniec hoblíku
  - Tlačte hoblík cez okraj materiálu bez stlačovania dolu
- Poznámka:** Hoblovaní je snazší, když materiál trošku nakloníte smerom od vás – hoblujete pak jakoby směrem dolů
- Rýchlosť hoblovania a hĺbka odoberanej vrstvy určujú kvalitu konečného povrchu. Pre hrubé opracovanie môžete zväčšiť hĺbku rezu, ale aby ste dosiahli dobrých výsledkov, je lepšie zmenšiť hĺbku odoberanej vrstvy a pohybovať hoblíkom pomalšie
  - Skôr než uvoľníte tlak na spínač a vypnete náradie, hoblík zdvihnite z materiálu
  - Medzi jednotlivými operáciami môžete hoblík odstaviť na hladký povrch so zdvihnutou zadnou parkovacou klapkou (7) – podopiera hoblík zospodu, takže sa hoblavacie nože nedotýkajú povrchu. Uistite sa, že zadná parkovacia klapka je odistená zo zamknutej pozície, keď ju zdvíhate.

## Zrážanie hrán

- Aby ste mohli vykonávať zrážanie hrán (obr. XII), nasadte hoblík drážkou tvaru „V“ (15) na prednej strane hoblíka na hranu materiálu

**Poznámka:** Menšiu drážku použite pre menšie zrážanie, väčšiu pre väčšie

- Hoblík zapnite a veďte ho pozdĺž tejto hrany

**DÔLEŽITÉ:** Zrážanie hrán vždy najskôr vyskúšajte na kúske materiálu

- Pred uvoľnením tlaku na spínač a vypnete náradie, hoblík zdvihnite z materiálu

## Príslušenstvo

- Sortiment príslušenstva a spotrebného materiálu - vrátane nožov, kotúčov, zvierok a osobných ochranných pomôcok - je k dispozícii u vášho predajcu Triton
- Náhradné diely je možné objednať na [toolsparsonline.com](https://toolsparsonline.com)

# Údržba

**VAROVANIE:** Predtým, než na nástroj vykonáte úpravy alebo opravy, sa uistite, že je náradie odpojené z elektrickej siete.

## Základná kontrola stavu

- Pravidelne kontrolujte, že sú všetky skrutky pevne utiahnuté. Vibráciami sa môžu v priebehu času uvoľniť
- Pravidelne kontrolujte prírodný kábel pred každým použitím. Opravy môže robiť iba certifikované servisné stredisko Triton. Toto odporúčanie sa takej týka predlžovacích kabeľov, ktoré používate spoločne s náradím
- Výmenu sieťového kábla je oprávnený vykonávať iba výrobca. obchodný zástupca výrobcu alebo certifikované servisné stredisko, aby bolo minimalizované bezpečnostné riziko

## Výmena hnacieho remeňa

- Odporúčame, aby ste pri výmene hnacieho remeňa nosili kožené rukavice, ak by došlo ku kontaktu s hoblňovacími nožmi
1. Aby ste mohli vymeniť hnací remeň (8), najprv je potrebné odstrániť tri krížové skrutky, ktoré zaisťujú kryt remeňa (9)

2. Odstráňte zničený remeň a použite jemnú kefku na očistenie remenice a jej okolia

**Poznámka:** Vždy noste ochranné okuliare, keď čistíte okolie remenice

3. Vložte remeň do spodnej remenice. Čiastočne nasadte druhý koniec remeňa na hornú remenicu a remeň narolujte na miesto otáčaním remenice
4. Ručným otočením remeňa sa uistíte, že sa remeň správne otáča
5. Nasadte kryt a upevnite ho tromi skrutkami
6. Pripojte hoblík do elektrickej siete a ponechajte hoblík bežať minútu až dve naprázdno, aby ste sa uistili, že motor aj remeň správne fungujú

## Výmena uhľíkov

- Odporúčame, aby ste pri výmene uhľíkov nosili kožené rukavice, ak by došlo ku kontaktu s hoblňovacími nožmi
1. Odstráňte tri krížové skrutky, ktoré zaisťujú krytku prístupu k uhliku (10)
  2. Odpojte káble z uhlika (obr. A)
  3. Pomocou skrutkovača odstráňte uhliky z pozície (obr. B)
  4. Pomocou plochého skrutkovača otvorte puzdro na uhliak (obr. C) a odstráňte uhliak (obr. D)

5. Správne vložte nový uhliak - skontrolujte, že zárez na uhlika je na rovnakej strane, ako je zaisťovací pliešok (obr. E)
6. Stlačte pružinu uhlika a uhliak zatlačte dovnútra (obr. F)
7. Uhliak vložte do pozície a pripojte káble
8. Nasadte krytku uhlika a zaisťte ju skrutkami

## Čistenie

**VAROVANIE:** VŽDY používajte ochranné prostriedky vrátane ochrany očí a rukavíc pri čistení tohto náradia.

- Udržujte náradie po celú dobu používania v čistote. Špina a prach môžu rýchlo spôsobiť zanesenie vnútorných častí a skráti životnosť náradia
- Čistite teleso brúsky mäkkou kefou alebo suchou handričkou
- Nikdy nepoužívajte chemické činidlá k čisteniu plastových dielov. Ak je očistenie nedostatočné, odporúča sa použiť saponát na vlhké utierke
- Voda nesmie nikdy prísť do kontaktu s náradím
- Uistite sa, že náradie je starostlivo vysušené pred použitím
- Prefúkňte ventilačné otvory náradia stlačeným vzduchom, ak je k dispozícii

## Premazávanie

- Premazávajte všetky pohyblivé diely v pravidelných intervaloch

## Skladovanie

- Toto elektronáradie skladujte na zabezpečenom suchom mieste mimo dosah detí.
- Náradie skladujte mimo dosahu slnečného svitu

## Likvidácia

Elektronáradie, ktoré už nefunguje a nie je možné ho opraviť, zlikvidujte v súlade s legislatívou danej krajiny.

- Nevyhadzujte elektronáradie a elektroodpad do domového odpadu
- V prípade otázok kontaktujte príslušný úrad

## Záruka

Na registráciu záruky navštívte naše webové stránky tritontools.com\* a zadajte informácie o výrobku. Vaše údaje budú uložené (pokiaľ túto možnosť nezakážete) a budú vám zasielané novinky. Vaše údaje nebudú poskytnuté žiadnej tretej strane.

## Záznam o nákupe

Dátum obstarania: \_\_\_/\_\_\_/\_\_\_

Model: TMNPL

Doklad o kúpe uschovajte ako potvrdenie o zakúpení výrobku.

## CE Prehlásenie o zhode

**Dolu podpísaný:** p. Darrell Morris

**splnomocnený:** Triton

prehlasuje, že

Toto vyhlásenie bolo vydané na výhradnú zodpovednosť výrobcu.

Predmet tohto vyhlásenia je v súlade s príslušnou harmonizačnou legislatívou Únie.

**Výrobok číslo:** TMNPL

**Popis:** 450 W Mini hoblík

**Bol uvedený na trh v súlade so základnými požiadavkami a príslušnými ustanoveniami nasledujúcich smerníc:**

- Smernica o bezpečnosti strojných zariadení 2006/42/EC
- Smernica o technických požiadavkách na výrobky z hľadiska ich elektromagnetickej kompatibility 2014/30/EC
- Smernica RoHS 2011/65/EU
- EN 60745-1:2009+A11:2010
- EN 60745-2-14:2009+A2:2010
- EN 55014-1:2006+A2:2011
- EN 55014-2:1997+A2:2008
- EN 61000-3-2:2014
- EN 61000-3-3:2013

Pokiaľ sa behom 3-ročnej doby od nákupu objaví porucha výrobku spoločnosti Triton Precision Power Tools, ktorá bola spôsobená chybou materiálu alebo chybným spracovaním, Triton opraví alebo vymení chybný diel zdarma.

Tato záruka sa nevzťahuje na výrobky, ktoré budú používané na komerčné účely, a ďalej na poškodenie, ktoré je spôsobené neodborným použitím alebo mechanickým poškodením výrobku.

\* Registrujte sa behom 30 dní od nákupu. Zmena podmienok vyhradená. Týmto podmienkami nie sú dotknuté vaše zákonné práva. es

**Notifikovaná osoba:** TÜV SÜD

**Technická dokumentácia je uložená u:** Triton

**Dátum:** 06/07/2017

**Podpis:**



Mr Darrell Morris

Výkonný riaditeľ

**Meno a adresa výrobcu:**

Powerbox International Limited, Company No. 06897059. Registrovaná

adresa: Powerbox, Boundary Way, Lufton Trading Estate, Yeovil, Somerset

BA22 8HZ, United Kingdom.

# Orijinal talimatların çevirisi

## Giriş

Bu TRITON el aletini satın aldığınız için teşekkür ederiz. Bu el kitabında bu ürünün güvenli ve yararlı şekilde kullanmak için gereken bilgiler bulunmaktadır. Bu ürünün kendine özgü özellikleri vardır ve benzer ürünleri yakından tanıyor olsanız bile talimatları tamamen anlayabilmeniz için bu el kitabını dikkatle okumanız gerekir. Bu el aletini kullanan herkesin bu el kitabını okuyup iyice öğrenmesini sağlayınız.

## Sembollerin açıklaması

El aletinizdeki künede semboller bulunabilir. Bunlarda ürün hakkındaki önemli bilgileri veya kullanımı ile ilgili talimatları temsil eder.



Kulak koruyucu kullanın  
Göz koruyucu kullanın  
Solunum koruyucu kullanın  
Kafa koruyucu kullanın



El koruyucu kullanın



Talimat el kitabını okuyun



Dikkat!



**UYARI:** Hareketli kısımlar ezilmeye ve kesik yaralarına yol açabilir.



**UYARI:** Keskin bıçak veya dişler!



Makine güç kaynağından çıkartılmadan ve bıçaklar tamamen durmadan önce bıçaklara dokunmayın



Toksik dumanlar ve gazlar!



Ayar yaparken, aksesuarları değiştirirken, temizlerken, bakım yaparken ve kullanım dışından olduğu zaman daima güç kaynağından ayırın!



Yalnız iç mekân kullanımı



Sınıf II yapı (ilave koruma için çift izolasyonlu)



3,15 A anma akımı dahilli gecikmeli sigorta



İlgili yönetmeliklere ve güvenlik standartlarına uygundur



### Çevre Koruması

Atık elektrikli ürünler evsel atıklar ile birlikte atılmamalıdır. Tesis bulunan yerlerde geri dönüşürün. Geri dönüşürme tavsiyesi almak için yerel makamlar veya satıcı ile görüşün

## Teknik Kısaltmaların Açıklaması

V	Volt
~, AC	Alternatif akım
A, mA	Amper
n <sub>0</sub>	Yüksüz hız
n	Nominal hız
opm	dakika başına yörüngede gezinti veya salınım
°	Derece
Hz	Hertz
==, DC	Doğrudan akım
W, kW	Watt, kilowatt
/min or min <sup>-1</sup>	Dakikada işlem sayısı
rpm	Dakikada devir sayısı
dB(A)	Desibel ses seviyesi (A ağırlıklı)
m/s <sup>2</sup>	saniye karede metre (titreşim büyüklüğü)
Ø	Çap

## Spesifikasyon

Model no:	TMNPL
Giriş voltajı	220-240 V~ 50/60 Hz
Güç	450W
Sızıntı koruması	IP20
Yüksüz hız	16.000 dev/dak
Dakikada Kesim	32.000 kesim/dak
Bıçaklar:	2 iki yönlü bıçak 60mm standart
Planyalama genişliği	60 mm
Kesim derinliği aralığı	0-1,5 mm
Kiniş açma derinliği	8 mm
Sol veya sağ talaş çıkışı	Sağ
Eğim verme V-olukları	2
Park standı	Otomatik
Güç kablosu uzunluğu	3m
Boyutlar (U x G x Y)	290 x 130 x 150mm
Ağırlık:	2,3 kg
<b>Ses ve titreşim bilgisi</b>	
Ses basıncı LPA	84,7 dB(A)
Ses gücü LWA	95,7 dB(A)
Belirsizlik K	3 dB(A)

<b>Ağırlıklı titreşim ah(ana kol)</b>	2,256 m/s <sup>2</sup>
<b>Ağırlıklı titreşim ah(yardımcı kol)</b>	3,375 m/s <sup>2</sup>
<b>Belirsizlik K</b>	1,5 m/s <sup>2</sup>
Operatör ses yoğunluk seviyesi 85 dB(A) dan yüksekte ve sestən korunma önlemleri zorunludur.	
Kesintisiz uzun geliştirmemizin bir parçası olarak, TRITON ürünlerinin teknik özellikleri önceden bildirilmeden değiştirilebilir.	

**UYARI:** Ses düzeyinin 85dB(A) değerini geçtiği yerlerde daima kulak koruyucu kullanın ve gerekirse maruz kalma süresini sınırlandırın. Kulak koruması kullanıldığı zaman bile ses düzeyini rahatsız edici ise el aletini kullanmayı hemen bırakın ve kulak korumasının doğru takılıp takılmadığını ve el aletinin ürettiği ses düzeyi için doğru miktarda ses zayıflatması sağlayıp sağlamadığını kontrol edin.

**UYARI:** Kullanıcının el aletinin titreşimine maruz kalması dokunma duyusunun kaybolmasına, uyuşmaya, karıncalanmaya ve tutma yeteneğinin azalmasına iyi olabilir. Uzun süre maruz kalınması kronik bir duruma iyi olabilir. Gerektiği takdirde, titreşime maruz kalma süresini sınırlandırın ve titreşim önleyici eldiven kullanın. Titreşim tarafından daha çok etkilenenleri iş ellerinin sıcaklığı normal rahat bir sıcaklığın altında olduğu zaman el aleti kullanmayın. Spesifikasyonda titreşim ile ilgili olarak verilmiş değerler kullanılarak el aletini çalıştırma süresini ve sıklığını hesaplayın.

Spesifikasyondaki ses ve titreşim düzeyleri EN60745 veya benzer uluslararası standartlara göre belirlenmiştir. Verilen değerler el aletinin normal çalışma koşullarında normal kullanımını temsil etmektedir. İyi bakım yapılmayan, yanlış monte edilmiş veya kötü kullanılan bir el aleti yüksek seviyelerde gürültü ve titreşim üretilebilir. [osha.europa.eu](http://osha.europa.eu) adresinde, konuların içinde uzun süreler boyunca el aletleri kullanan kişiler için yararlı olabilecek, iş yerindeki ses ve titreşim seviyeleri hakkında bilgi bulunmaktadır.

## Genel Elektrikli Alet Emniyet Uyarıları

**UYARI:** Bu aletle birlikte sağlanan tüm güvenlik uyarılarını, talimatları, çizimleri ve özellikleri okuyun. Aşağıda listelenmiş uyarıların ve talimatların tamamına uyulmaması elektrik çarpmasına, yangına ve/veya ağır yaralanmaya yol açabilir.

Tüm uyarıları ve talimatları ileride kullanabilmek için saklayınız.

Uyarılardaki "elektrikli el aleti" terimi elektik şebekesinden çalışan (kablolu) elektrikli el aleti veya batarya ile çalışan (kablolu) elektrikli el aleti anlamına gelmektedir.

### 1) Çalışma alanının güvenliği

a) Çalışma alanını temiz ve iyice aydınlatılmış halde tutun. Dağınık veya karanlık yerler kazaları davet eder.

b) El aletlerini yanıcı sıvılar, gazlar veya toz içeren ortamlar gibi patlayıcı atmosferlerde çalıştırmayın. Elektrikli el aletleri tozu ve dumanları tutuşturabilecek kırılcımlar çıkarır.

c) Elektrikli aletleri çalıştırmak çocukları ve izleyicileri uzakta tutun. Dikkati dağıtan şeyler kontrolü kaybetmeden neden olabilir.

### 2) Elektrik güvenliği

a) Elektrikli el aletlerinin fişleri prize uygun olmalıdır. Fişi asla hiçbir şekilde değişikliğe uğratmayın. Topraklanmış (topraklı) elektrikli el aletleri ile hiçbir adaptör fiş kullanmayın. Değişikliğe uğratılmamış fişler ve fişe uygun prizler elektrik çarpması riskini azaltır.

b) Borular, radyatörler, fırınlar ve buzdolapları gibi topraklanmış veya topraklı yüzeylere vücut ile temas etmekten kaçının. Vücudunuz topraklandığı zaman elektrik çarpması riski artar.

c) Elektrikli el aletlerini yağmura veya ıslak koşullara açık bırakmayın. Elektrikli el aletine su girmesi elektrik çarpması riskini artırır.

d) Kablo veya yanlış şekilde kullanmayın. Elektrikli el aletini taşımak, fişi takmak veya çıkarmak için asla kabloyu kullanmayın. Kabloyu ısı, yağ, keskin kenarlar veya hareketli parçalardan uzak tutun. Hasar gören veya düğümlenen kablolar elektrik çarpması riskini artırır.

e) Elektrikli bir el aletini dış mekânda kullanırken dış mekânda kullanmaya uygun bir uzatma kablosu kullanın. Dış mekânda kullanımaya uygun bir kablo kullanmak elektrik çarpması riskini azaltır.

f) Elektrikli bir el aletini nemli bir yerde kullanmak zorunlu ise bir kaçak akım cihazı (RCD) ile korunan bir kaynak kullanın. RCD kullanmak elektrik çarpması riskini azaltır.

### 3) Personel Güvenliği

a) Elektrikli aletleri çalıştırmak tetikte olun, yaptığınız şeye dikkat edin ve sağduyunuz kullanın. Yorgun veya ilaçların, alkolün veya bir tedavinin etkisinde olduğunuz zaman elektrikli alet kullanmayın. Elektrikli alet kullanırken bir anlık dikkatsizlik ağır yaralanmaya yol açabilir.

b) Kişisel koruyucu donanım kullanın. Her zaman göz koruyucu kullanın. Gereken koşullar için kullanılan toz maskesi, kaymaz güvenlik pabuca, baret veya işitme koruyucu gibi koruyucu donanım kişisel yaralanmaları azaltır.

c) İstenmeden çalıştırmayı önleyin. Güç kaynağına ve/veya batarya grubuna bağlanmadan önce veya el aletini toplayıp taşımadan önce düğmenin KAPALI olduğunu kontrol edin. Elektrikli el aletlerini parmajınız

düğmenin üzerinde olacak şekilde taşımak veya anahtar AÇIK iken elektrikli el aletlerine enerji vermek kazaları davet eder.

d) Elektrikli el aletini AÇMADAN önce tüm ayarlamaları anahtarlarını veya kollarını çıkarın. El aletinin dönen bir kısmına takılı olarak bırakılan bir anahtar veya kol yaralanmaya neden olabilir.

e) Çok fazla ıleriye uzanmayın. Desteginizi ve dengeni daima uygun şekilde koruyun. Bu, beklenmeyen durumlarda aletini daha iyi kontrol edilmesini sağlar.

f) Uygun giyinin. Gevşek giysiler veya takı kullanmayın. Saçınızı ve giysinizi hareketli parçalardan uzak tutun. Hareketli parçalar, gevşek giysileri, takıları veya uzun saçın yakalayabilir.

g) Toz uzaklaştırma ve toplama olanaklarına bağlantı yapmak için cihazlar verilmiş ise bunları bağlayıp gereken şekilde kullanmaya dikkat edin. Toz toplama olanağının kullanılması toz ile ilişkili tehlikeleri azaltabilir.

h) Aletlerin sık kullanımından edinilen aşınalığı, rahat davranmanız ve alet güvenliğini kullarının gözardii etmemize neden olmasına izin vermayın. Dikkatsiz bir hareket, çok kısa sürede ciddi yaralanmalara neden olabilir.

### 4) Elektrikli el aletinin kullanımı ve bakımı

a) Elektrikli el aletini zorlamayın. İşiniz için doğru elektrikli el aletini kullanın. Doğru elektrikli el aleti bir iş daha iyi ve daha güvenli şekilde ve gerçekleştirmek için tasarlandığı hızda yapar.

b) Dügme elektrikli el aletini AÇIP KAPATMIYORSA alet kullanmayın. Dügme ile kontrol edilemeyen bir elektrikli el aleti tehlikelidir ve tamir edilmelidir.

c) Elektrikli el aletlerinde ayar yapmadan, aksesuarları değiştirmeden veya saklamadan önce aletini fişini güç kaynağından çekin ve/veya çıkartılabiliyorsa batarya paketini çıkarın. Bu gibi önleyici güvenlik önlemleri elektrikli el aletinin kazara çalıştırılması riskini azaltır.

d) Kullanılmayan elektrikli el aletlerini çocukların ulaşamayacağı bir yerde saklayın ve elektrikli el aletini veya bu talimatları iyi bilmeyen kişilerin aletini kullanmasına izin vermayın. Elektrikli el aletleri eğitim almamış kullanıcıların elinde tehlikeli olur.

e) Elektrikli el aletlerinin ve aksesuarlarının bakımını yapın. Hareketli kısımlarda hızla kaçıklığı veya sıkışma, parçaların kırılma ve el aletinin çalışmasını etkileyebilecek başka bir durum olup olmadığını kontrol edin. El aleti hasar görmüş işe kullanmadan önce tamir ettirin. Kazaların birçoğuna iyi bakım yapılmayan el aletleri neden olmaktadır.

f) Kesici aletleri keskin ve temiz bulundurun. Kesici kenarları keskin olan iyi bakım gören kesici aletlerin sıkışma olasılığı daha azdır ve daha kolay kontrol edilir.

g) El aletinin aksesuarlarını ve alet uçlarını vb., çalışma koşullarını ve yapılacak işi dikkate alarak bu talimatlara göre kullanın. El aletinin amaçlanan işlemler dışındaki işler için kullanılması tehlikeli durumlara yol açabilir.

h) Tutamakları ve kavrama yüzeylerini, temiz, yağdan ve gresten arındırılmış tutun. Kaygan tutamaklar ve kavrama yüzeyleri, beklenmedik durumlarda aletini güvenli bir şekilde kullanılmasını ve kavranmasını engeller.

### 5) Servis

a) El aletinize yalnızca tamamen aynı yedek parçaları kullanarak ehliyetli bir teknisyen tarafından servis yapılmasını sağlayın. Bu, el aletinin güvenliğinin sürdürülmesini sağlar.

## Elektrikli Panyalar için İlave Güvenlik

### UYARI!

- Alet aşağı indirirken önce kesicinin durmasını bekleyin. Açıkta duran bir kesici üç yüzeye takılarak kontrolün kaybedilmesine ve ağır yaralanmaya yol açabilir.
- Elektrikli el aletini yalnızca yalıtımlı kavrama yüzeylerinden tutun, çünkü kesici kendi kablosuyla temas edebilir. "Akım olan" bir kabloyu kesmek, elektrikli aletin ağırlıkta metal parçalarına da "akım" iletebilir ve operatöre elektrik çarparabilir.
- Mengene veya başka bir uygun yöntem kullanılarak iş parçasını dengeli bir platforma sabitleyin ve destekleyin. İş parçasını el ile tutmak veya vücudunu bastırarak sağlam durmasına ve kontrolün kaybedilmesine yol açabilir.
- Elektrik kablosunun değiştirilmesi gerektiği takdirde güvenlik tehlikesi oluşmaması için bunun üretici veya temsilcisi tarafından yapılması gerekir.
- Bu el aletine daima 30 mA veya daha az nominal kaçak akım değerinde sahip bir kaçak akım cihazı takılması tavsiye edilir.



- Uygun solunum koruması kullanın: Bu alet, kansere, doğum kusurlarına ve üremes sorunlarına yol açabilen kimyasallar içeren tozlar oluşturabilir. Bazı aşılar, toksik olabilir, bakır krom arsenat (CCA) gibi koruyucular içerir. Bu malzemenin zımparalarken, delerken veya keserken solunumu önlemek ve ciltte temasını en aza indirmek için ilave gözlemlenmelidir.



## ⚠️ÖNEMLİ:

- Çalışma alanında tesisat hatlarının gizlenmiş olup olmadığını belirlemek için uygun dedektörler kullanın veya destek için yerel altyapı şirketini arayın. Elektrik hatlarına temas yangına ve elektrik çarpmasına neden olabilir. Gaz hattının zarar görmesi patlamaya neden olabilir. Bir su hattına girilmesi halinde, mülkiyete zarar gelebilir veya elektrik çarparabilir.
- Talaş ejektörüne elinizi uzatmayın. Dönen parçalar nedeniyle zarar görülebilir.
- Operatörü tozdan korumak için, kullanın sırasında bir toz maskesi ve toz boşaltma sisteminin kullanılmasını şiddetle tavsiye edilir. Elektrikli planyalar çok miktarda toz çıkarır ve bazı malzemeler de zehirli toz üretir.
- Yalnızca keskin bıçakları kullanın. Bıçakları çok dikkatli tutun.

- a) Aletin voltaj sınıfı etiketinin ana şebeke voltajı ile uyumlu olduğunu kontrol edin
- b) Tüm civillerin, vidaların vs. çalışmaya başlamadan önce iş parçasından çıkartıldığını emin olun. Aksi takdirde, bıçakta veya planyada hasar oluşabilir, bu da güvenli riski oluşturur
- c) Tüm kumaşların, kabloların, halıların ve benzer eşyaların çalışma alanından kaldırıldığını emin olun. Planya mekanizmasına dolaşmasını önlemek için
- d) Bıçak montaj civatalarının çalıştırmadan önce sağlam bir şekilde sıkıldığını emin olun
- e) Bir iş parçası üzerinde planyayı kullanmadan önce, AÇIP bir süre çalıştırın. Kötü takılmış veya kötü dengelenmiş bir bıçak göstergesi olabilecek titreşim veya sallantıyı kontrol edin
- f) İş parçasına temas ettirmeden ve kesime başlamadan önce makinenin tam hız ulaşmasına izin verin
- g) Planyayı yalnızca iki elle kontrol ederek ve AÇMADAN önce düzgün bir şekilde tutarak çalıştırın
- h) Planyanın yüzünüzden ve gövdenizden en az 200 mm uzak olduğundan emin olun
- i) Kesim öncesi bıçaklar tam hız ulaşana kadar bekleyin
- j) Nemli keresteleri keserken rende talaşları oluklarda sıkışabilir. KAPATIN, elektrik kaynağı ile bağlantısını kesin ve talaşları bir çubukta temizleyin. Parmagınızı asla yonga oluşuna sokmayın
- k) Herhangi bir ayarlama yapmadan, temizlemeden veya bakım gerçekleştirmeden önce HER ZAMAN KAPATIN ve bıçaklar tamamen durana kadar bekleyin
- l) Makinenin başından ayrılrken, HER ZAMAN elektrik bağlantısını kesin
- m) Kullanılmadığında, elektrik kaynağıyla bağlantısını kesin ve ön tabanı aışap bir blok üzerine oturtun, böylece bıçaklar hiçbir şeyle temas etmez
- n) Tüm bıçakları aynı anda değiştirin. Aksi takdirde, meydana gelecek olan dengesizlik titreşime yol açabilir ve planyanın ve bıçakların hizmet ömrünün kısalmasına neden olabilir

## Kesme Aleti Güvenliği

**UYARI:** Bir el aletini, bir güç kaynağına bağlamadan önce (şebeke anahtarı güç noktası prizi, çıkış, vs) voltaj beslemesinin aletin isim plakasında belirtilenle aynı olduğundan emin olun. Alet için belirtilen üzerinde voltaja sahip bir güç kaynağı, kullanıcının ciddi bir şekilde yaralanmasına ve aletin zarar görmesine neden olabilir. Şüphelenir varsa, aleti takmayın. İsim plakası sınıfının altında voltajı olan bir güç kaynağı kullanmak motora zarar verir.

## Doğru kesim aletini kullanın

- Kesme aletinin işe uygun olduğundan emin olun. Kullanmadan önce ürün kitapçığını kontrol etmeden aletin uygun olduğunu varsaymayın

## Gözlerinizi koruyun

- Kesim aletlerini kullanırken her zaman uygun koruyucu gözlük kullanın
- Bu ürünü kullanırken, gözlükler koruma sağlamaz; normal camlar darbelere dayanıklı değildir ve çatlayabilir

## İşitme duyuzunu koruyun

- El aletinin gürültüsü 85 dB(A) değerini aştığı takdirde daima uygun işitme koruyucu takın

## Solumunuzu koruyun.

- Kendinizin ve etrafınızdaki diğerlerinin uygun toz maskeleri taktığından emin olun

## Ellerinizi koruyun

- Ellerinizi kesme tekerleğine veya bıçaklara yaklaşmasına izin vermeyin. Uygun elektrikli aletlerde daha kısa iş parçaları için uygun itme çubukları kullanın

## Çevrenizdekilere dikkat edin

- Çalışma alanının yakınındaki diğer insanların tehlikeli sese veya toza maruz kalmamasını sağlamak ve uygun koruyucu ekipman tedarik edildiğinden emin olmak kullanıcının sorumluluğundadır.

## Gizli nesnelere

- İş parçasını inceleyin ve kesimden önce tüm civilleri ve diğeri gömülü nesnelere sökün
- Makinenize takılı olan kesici aletin iş için uygun olduğunu bilmediğiniz sürece, gömülü nesnelere içeren materyalleri kesmeye çalışmayın
- Duvarlar kablolar ve boruları gizleyebilir, araba gövdesi panelleri yakıt hatlarını gizleyebilir ve uzun çimenerler taşıları ve camı gizleyebilir. İşe devam etmeden önce daima çalışma alanını kontrol edin

## Fırlayan atıklara dikkat edin

- Bazı durumlarda, atık materyaller kesme aletinden hızla fırlayabilir Fırlayan atık ihtimaline karşı iş alanındaki diğer insanların korunmasını sağlamak kullanıcının sorumluluğundadır

## Kesim aletlerinin takılması

- Kesme aletlerinin doğru ve güvenli bir şekilde takıldığından emin olun ve anahtarları/ayarlayıcılarını kullanın öncesinde çıkartıldığını kontrol edin
- Yalnızca aletiniz için önerilen kesim aletlerini kullanın
- Kesme aletlerinin değişikliği yapmaya çalışmayın
- Bıçakların keskin, iyi durumda ve düzgün takıldığından emin olun.
- Yeniden bileyenmek için uygun olmayan bıçakları tekrar bileyenmeye çalışmayın. Bunlar, özel olarak sertleştirilmiş bıçakları veya genelde tungsten içeren sertleştirilmiş alaşımlardan yapılmış bıçakları içerirler
- Bileyenebilecek bıçaklar yalnızca üreticinin talimatlarına uygun olarak bileyenebilir. Bu talimatlarda, bıçağın kaç kez bileyenebileceğine dair bir sınırlama yer alabilir
- Bileyenen bıçaklar kullanılmadan önce daha ayrıntılı incelenmelidir ve durumları ve kullanıma uygunlukları hakkında herhangi bir endişe varsa anında değiştirilmelidir.
- Bıçakların kullanım sırasında uygun olmadıkları gömülü bir obje ile karşılaşmaları halinde, bıçaklar hemen değiştirilmelidir

## Besleme yönü

- İş parçasını daima bıçak veya kesicinin hareketini tersi yönünde, bıçağa veya kesiciye doğru besleyin

## Isıya dikkat edin

- Kesme aletleri ve iş parçaları kullanım sırasında ısınabilir. Tamamen soğumalarını beklemeden aletleri değiştirmeye kalkmayın

## Tozu/talaşı kontrol edin

- Toz veya talaş birikimine izin vermeyin. Testere tozunda yangın riski vardır ve bazı metal talaşları patlayıcıdır
- Aışap ve metal keserken özellikle dikkat edin. Metal kesiminden çıkan kıvılcıklar aışap tozu yangınına neden olabilir
- Mümkünse daha güvenli bir çalışma ortamı sağlamak için toz boşaltma sistemi kullanın

## Ürün Tanıtımı

1. Derinlik Ayar Kadranı
2. Toz/Talaş Boşaltma Kanalı
3. AÇMA/KAPAMA Tetik Anahtarı
4. Klitleme Düğmesi
5. Kol
6. Güç Kabloşu
7. Arka Muhafaza Desteği
8. Anahtar
9. Tahrir Kayışı Kapağı
10. Fırça Erişim Kapağı
11. Bıçak Tamburu
12. Bıçak
13. Bıçak Keleppesi
14. Bıçak Keleppesi Civataları
15. Pah Oyukları
16. Taban
17. Toz/Talaş Torbası
18. Tahrir Kayışı



## Kullanma Amacı

Ayarlanabilir kesme derinliği ve 2 mm kınış derinliği, hafif ve orta ağırlıktaki planyalama işlerine yönelik elektrikli mini el planyası. Sert veya yumuşak ahşapta kullanılabılır.

## El aletinın ambalajının açılması

El aletinın ambalajını dikkatle açın ve muayene edin. Tüm özelliklerini ve fonksiyonlarını iyice öğrenin

El aletinın tüm parçalarının mevcut olduğunu ve iyi durumda bulduklarını kontrol edin. Eksik veya hasarlı parçalar olduğu takdirde bu aleti kullanmaya başlamadan önce bunların değiştirilmesini sağlayın

## Kullanmadan önce

**UYARI:** Herhangi bir ayar yapmadan ve bıçakları sökmeden veya takmadan önce el aletinın kapatıldığını ve fişin güç kaynağından çıkartıldığını daima kontrol edin.

## Bıçakların değiştirilmesi

- Bu planyada iki yönlü bıçaklar takılır. Bıçaklar körelendiğinde diğer tarafları çevrilebilir. Bıçağın her iki tarafı da kullanılabilirliği atılması gerekir.
- Yedek planya bıçaklarını Triton satıcınızdan temin edebilirsiniz

## Planya bıçaklarının sökülmesi ve takılması

**UYARI:** Planya bıçakları keskindir! Planya bıçaklarıyla ilgilenirken her zaman koruyucu eldivenler giyin.

Bıçakların her iki tarafında da kesici kenar bulunduğu için bıçaklar ters çevrilebilir. Bir bıçağın bir tarafı hasar gördüğü veya aşındığı zaman diğer keskin tarafı kullanmak üzere bıçağın diğer tarafını tekrar takabilirsiniz

**ÖNEMLİ:** Bir tek bıçak yalnızca bir hasar gördüğü geldiği takdirde değiştirilebilir. Bıçak aşındığı zaman ise, tehlikeli titreşime ve el aletinın zarar görmesine yol açabilecek dengesiz çalışmayı önlemek için tamburdaki bıçakların her ikisini de değiştirmeniz gerekir.

- Bıçakları değiştirenken aynı boyut ve ağırlıktaki bıçakları kullanın, aksi takdirde, tambur sallanıp titreşerek kötü planyalama eylemine ve arızaya neden olabilir.
- Son işlem kalitesi bıçakların doğru takılmasına bağlıdır Bıçak tamburuna veya kısıklara yapışan ahşap talaşlarını ve diğer yabancı maddeleri temizleyin
- Bıçak Tamburu (11) döndürün, böylece el Bıçak (12) yukarıya gelir ve erişilebilir olur
- Anahtar (8) kullanarak, üç Bıçak Kelepeşi Civatasını (14) (Şek II) Bıçağı tamburdan çıkartmaya yetecek kadar gevşetin
- Bıçağı, Bıçağı dışırtirmek için küçük bir tahta parçası kullanarak Bıçak Kelepeşi yuvasından dikkatli bir şekilde çıkartın (Şek III)
- Bıçağı (12), Bıçak kenarının ucu Pah Oyuklarına (15) daha yakın olacak şekilde, Bıçak Kelepeşindeki (Şek IV) yuvaya kaydırın. Pah oyuğu daha sonra Tabana (16) doğru ilerler ve Bıçak Kelepeşinin konturu ile eşleşir.
- Bıçağın her iki ucunun da eşit düzeyde dışarı çıktığından emin olun (Şek V)
- Bıçak Kelepeşi Civatalarını Sıkın (Şek VI)

**Not:** Bıçağı, üretim sırasında ön ayarlı olan Bıçak Kelepeşi (13) Vidalarıyla ayarlamayı deneyebilirsiniz.

## Bıçakların doğru şekilde ayarlanması

- Bıçakların iyi ayarlanması temel bir önem taşır, aksi takdirde iş parçası sonunda kaba ve düzensiz olur. Temiz ve düzgün kesme yapmak için bıçaklar kesici kenar tamamen hizada olacak şekilde, yani arka Taban (16) yüzüne paralel duracak şekilde takılmalıdır (Şek. VII)

### Yüzeyde çentikler

- Bıçaklardan birisinin veya hepsinin keskin kenarı arka tabana paralel durmamaktadır (Şek. VIII)

### Başlatırken oyma

- Bıçaklardan birisi veya hepsi arka tabana göre yeterli kadar çukıntı yapmamaktadır (Şek. IX)

## Planyalama derinliğinin ayarlanması

- Derinlik Ayar Kadranını (1), daha derin bir kesim için saat yönüne ve daha yüzeysel bir kesim için saat yönünün tersine çevirin
- Derinlik Ayar Kadranını altındaki halkanın üzerindeki kalibrasyonlar kesim derinliğini gösterir. Örneğin, planyanın ön tarafındaki ucunda "1.0" bulunduğu zaman kesme derinliği yaklaşık 1,0 mm'dir
- Kesme derinliği kritik bir öneme sahip olduğu zaman her bir ahşap parçaya ayarını yapın, kalınlık farkını ölçün ve gereken ayarı yapın

## Arka muhafaza desteğinin kullanılması

- Arka Muhafaza Desteği (7) alet bir kenara konduğunda iş parçalarını hasar görmekten korur
- Planyaların destek otomatik olarak geriye doğru katlanır (Şek. X)

## Toz/talaş boşaltma

**UYARI:** Bu aleti çalıştırırken daima bir atölye vakumu, toz/talaş boşaltma sistemi veya Toz/Talaş Torbası (17) kullanın.

- Bir atölye vakumu veya toz boşaltma sistemi Toz/Talaş Boşaltma Kanalına (2) bağlanabilir (Şek XI)

• Toz/Talaş Torbası (17) yandaki Toz/Talaş Boşaltma Kanalına bağlanabilir

**UYARI:** Toz/Talaş Boşaltma Kanalındaki birikintileri ASLA Bıçaklar ve Bıçak Tamburu dönerken çıkartmayın. Herhangi birikintiyi temizledikten önce aleti daima güç kaynağından ayırın.

## Çalıştırma

### KAPATMA VE AÇMA

**UYARI:** Aleti ana şebeke elektrik noktasına takmadan önce, AÇMA/ KAPATMA Tetik Anahtarının (3) ve Kilitleme Düğmesinin (4) doğru çalışıp çalışmadığını her zaman kontrol edin.

- Elektrik kablосunu (6) elektrik şebekesine bağlayın
- AÇMAK için, Kilitleme Düğmesini (4) basın ve AÇMA/KAPATMA Tetik Anahtarına (3) basılı tutun

**Not:** Kilitleme Düğmesi, planya çalışmaya başladıktan sonra bırakılabilir.

3. KAPATMAK için AÇMA/KAPATMA Tetik Anahtarını bırakın.

**UYARI:** Planyayı KAPATTIKTAN sonra, planyalama bıçaklarının bir süre dönmeye devam ettiği lüfen dikkate alın. Planyalama bıçaklarının veya yüzeyin zarar görmesini önlemek için aleti aşağı yerleştirmeden önce motorun tamamen durduğundan emin olun. Planyayı yan tarafı üzerine bırakmak istediğiniz takdirde, motora toz ve talaş girmemesi için hava deliklerinin bulunduğu tarafa yaslamayın.

- Planya kısa bir süre kullanılmıyacak ise Derinlik Ayar Kadranını (1) "0" konumuna getirin ve tabanı yüzeyden uzak tutmak için planyanın ön tarafını ahşap bir takozla yaslayın. Arka Muhafaza Desteğinin (7) bıçakları korumak için indirildiğinden emin olun

## Planyalama

**UYARI:** Aleti çok hızlı hareket ettirmek düşük kesim kalitesine neden olabilir ve bıçaklara ya da motora zarar verebilir. Aleti çok yavaş hareket ettirmek kesimde yanığa veya "ize" neden olabilir Uygun ilerleme hızı, kesilen materyalin türüne ve kesim derinliğine bağlı olacaktır. Doğru hareketi ölçmek için önce bir hurda malzeme üzerinde deneme yapın.

**UYARI:** Planyayı tutmak için her zaman iki elinizi de kullanın.

**UYARI:** Mümkün olduğunda, iş parçasını tezgaha menegne ile bağlayın.

- Planya aletinın ön tarafını iş parçasına yaslayın, Bıçakların (12) iş parçasına temas etmesini sağlayın
- Aleti AÇIN ve bıçakların tam hızla ulaşmasını bekleyin.
- Planya işinin başlangıcında el aletinın ön tarafına basıncı uygulayarak el aletinı hafifçe ilerleye doğru sürün ve planya adımının sonuna doğru ise el aletinın arka tarafına basıncı uygulayın
- Planyalama makinesini aşağı doğru itmeden iş parçasının ucunun ötesine itin  
**Not:** Planya işlemini "yokuz aşağı" yapacağınız şekilde iş parçasını sizden uzağa doğru biraz yatırdığınız takdirde daha kolay planya yaparsınız.
- Planyalama oranı ve kesme derinliği son işlemin kalitesini belirler. Kaba kesme yapmak için kesme derinliğini artırabilirsiniz ama iyi bir yüzey elde etmek için kesme derinliğini azaltmanız ve el aletinı daha yavaş hareket ettirmeniz gerekir
- AÇMA/KAPATMA Tetik Anahtarını serbest bırakıp KAPATMADAN önce aleti iş parçasından kaldırın.
- İşlemler arasında, Arka Muhafaza Desteğinin (7) planyayı destekleyerek bıçakları yüzeyden uzakta tutacak şekilde planyayı düz bir yüzeye yaslayabilirsiniz.

## Pah Verme

- Pahlı bir kesim (Şek XII) yapmak için, istenen boyutta "V" Pah Oyuğunu (15) planyanın ön tabanında iş parçasının köşe kenarıyla aynı hizaya getirin.

**Not:** Daha sıkı bir pah için daha küçük bir "V" Pah Oyuğu kullanın ve daha derin bir pah için büyük oyuğu kullanın.

2. Planyayı AÇIN ve köşe kenarı boyunca planyayı çalıştırın

**ÖNEMLİ:** Her zaman önce iskarta malzeme üzerinde deneyin

- AÇMA/KAPATMA Tetik Anahtarını serbest bırakıp KAPATMADAN önce aleti iş parçasından kaldırın.

## Aksesuarlar

- Bıçaklar, el kelepçeler ve kişisel koruyucu ekipman da dahil olmak üzere çeşitli aksesuarlar ve sarf malzemeleri Triton bayinizden edinilebilir
- Yedek parçalar toolsparsonline.com adresinden sipariş edilebilir

## Bakım

⚠ **UYARI:** Herhangi bir deęişiklik veya bakım yapmadan önce, aletin kapalı olduęundan veya řebeke elektrigiinden fiři çektięinizden emin olun.

### Genel Muayene

- Tüm sabitleme vidalarının sıkıřmış olup olmadıęını düzenli olarak kontrol edin. Zaman içinde titreřimle gevşeyebilir
- Her kullanımı öncesinde, zarar veya aşınmaya karşı elektrik kablosunu inceleyin. Bu tavsiye aletle birlikte kullanılan uzatma kabloları için geçerlidir
- Elektrik kablosunun deęiřtirilmesi gerektięi takdirde güvenlik tehlikesi oluřmaması için bunun üretici veya temsilcisi tarafından yapılması gerekir.

### Tahrik kayışının deęiřtirilmesi

- Kayışı deęiřtirirken ellerin bıçaklarla temas etmesi ihtimaline karşı deri eldiven giymeniz önerilir.

1. Tahrik Kayışını (18) deęiřtirmek için, Tahrik Kayışı Kapaęını sabitleyen üç yıldız bařlıklı vidayı sökün
2. Hasarlı/aşınmış tahrik kayışını sökün ve çarkları ve etrafını temizlemek için yumuřak bir fırça kullanın

**Not:** Çark alanını temizlerken koruyucu gözlük takın.

3. Yeni kayışı alttaki çarkın üstüne yerleřtirin. Üst çarktaki kayışın dięer ucunu yarı yarıya oturtun, sonra çarkı çevirirken kayışı sarın
4. Kayışı elle çevirerek çarkın eřit dönüp dönmedięini kontrol edin
5. Kapaęı ve sabitleme vidalarını tekrar takın
6. Güç kaynaęına aleti takın ve planıyı bir veya iki dakika boyunca çalıştırarak, motorun ve kayışın doęru çalıştıęından emin olun

### Fırça deęiřtirme

- Fırçaları deęiřtirirken ellerin bıçaklarla temas etmesi ihtimaline karşı deri eldiven giymeniz önerilir.
1. Fırçaları deęiřtirmek için, Fırça Eriřim Kapaęını (10) sabitleyen üç yıldız bařlıklı vidayı sökün
  2. Kabloları fırçalardan çıkartın (Resim A)
  3. Bir tornavida kullanarak, fırçaları tutuldukları konumlardan dıřarı itin (Resim B)
  4. Fırça gövdesi üzerindeki tutma kapaęını açmak için düz uçlu bir tornavida kullanın (Resim C) sonra fırçayı çıkartın
  5. Yeni fırçayı dikkatli bir şekilde gövdeye yerleřtirin, karbonun içindeki oyuluęu, hizalandırma çatalı ile aynı tarafta olduęundan emin olun (Resim E)
  6. Fırça yayını içeri bastırın ve gövdenin tutma kapaęını kapatın (F)
  7. Yeni fırçayı gövdesiyle birlikte tutma pozisyonuna yeniden yerleřtirin ve kabloları tekrar takın
  8. Fırça Eriřim Kapaęını tekrar takın ve yıldız bařlıklı vidaları sabitleyin

## Temizleme

⚠ **UYARI:** Bu el aletini temizlerken göz koruyucu ve eldiven dâhil olmak üzere DAİMA koruyucu donanım kullanın.

- El aletinizi daima temiz tutun. Kir ve toz iç parçalarını kolayca yıpranmasına neden olur ve cihazın hizmet ömrünü kısaltır
- Makinenizin gövdesini yumuřak bir fırça veya kuru bir bezle temizleyin.
- Plastik parçaları temizlemek için asla yakıcı ajanlar kullanmayın. Kuru olarak temizlemek yeterli olmadıęı takdirde ıslak bir bezin üzerinde yumuřak bir deterjan kullanılması tavsiye edilir
- Alet asla suyla temas etmemelidir
- Aleti kullanmadan önce iyice kuruduęundan emin olun
- Mümkünse, havalandırma deliklerinden püskürtmek için temiz, kuru ve basıncılı hava kullanın

### Yaęlama

- Uygun bir yaęlayıcı sprey kullanarak hareketli kısımların hepsini düzenli aralıklar ile yaęlayın

## Saklama

- Bu el aletini güvenli, kuru ve çocukların ulaşamayacaęı bir yerde dikkatlice saklayın.
- Doęrudan gün ışığında saklamayın

## İmha

Artık kullanılmayan ve onarılmayan elektrikli aletleri imha ederken ulusal düzenlemeleri her zaman dikkate alın.

- Elektrikli aletleri veya dięer atık elektrikli veya elektronik ekipmanları (WEEE) evsel atıklarla imha etmeyin

Elektrikli aletleri imha etmenin doęru yöntemi için yerel atık imha otoritelerle iletiřime geçin

## Garanti

Garantinizi tescil ettirmek için tritontools.com adresindeki web sitemizi ziyaret ederek bilgilerinizi giriniz \*.

Size ait bilgiler ilerideki yayınlar hakkında bilgi vermek üzere posta listemize dâhil edilecektir (aksi belirtilmediği takdirde). Verilen bilgiler hiç bir üçüncü tarafa iletilmeyecektir.

## Satin alma kayıtları

Satin Alma Tarihi: \_\_\_ / \_\_\_ / \_\_\_

Model: TMNPL. Makbuzunuzu satın alma kanıtı olarak saklayınız

## AB Uygunluk Beyanı

**Aşağıda imzası bulunan:** Bay Darrell Morris

**Yetki veren:** Triton

Beyan eder ki

Bu beyan, tamamen üreticinin sorumluluğunda yayınlanmıştır.

Beyanın konusu, ilgili Birlik uyum Düzenlemesine uygundur.

**Tanımlama kodu:** TMNPL

**Açıklama:** 450 W Mini Planya

**Aşağıdaki direktiflere ve standartlara uygundur:**

- Makine Direktifi 2006/42/EC
- EMC Direktifi 2014/30/EC
- RoHS Direktifi 2011/65/EU
- EN 60745-1:2009+A11:2010
- EN 60745-2-14:2009+A2:2010
- EN 55014-1:2006+A2:2011
- EN 55014-2:1997+A2:2008
- EN 61000-3-2:2014
- EN 61000-3-3:2013

Triton Precision Power Tools, ilk satın alma tarihinden itibaren 3 YIL süre içinde hatalı malzemeler veya işçilik yüzünden herhangi bir parçanın kusurlu çıkması durumunda Triton'un hatalı parçayı ücretsiz olarak tamir edeceğini veya kendi takdirine göre değiştireceğini bu ürünü satın alan kişiye garanti eder.

Bu garanti ticari kullanım için geçerli olmadığı gibi normal aşınmayı ve yıpranmayı veya kaza, kötüye kullanma veya yanlış kullanma yüzünden oluşan hasarı içermez.

\* 30 gün içinde çevirim içi olarak tescil yaptırın.

Kurallar ve koşullar geçerlidir.

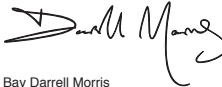
Bunlar sizin yasal haklarınızı etkilemez

**Onaylanmış kuruluş:** TÜV SÜD

**Teknik dokümanları muhafaza eden:** Triton

**Tarih:** 06/07/2017

**İmza:**



Bay Darrell Morris

Sorumlu Müdür

**Üreticinin adı ve adresi:**

Powerbox International Limited, Şirket No. 06897059. Tescilli adres:

Powerbox, Boundary Way, Lufton Trading Estate, Yeovil, Somerset BA22

8HZ, Birleşik Krallık.

